

# Pool Breakdown

## Martinique 18' Round 52"

### NB2612

<p><b><u>FEATURES:</u></b>  Round  Size: 18q  Depth: 52+  25 Year Warranty</p>	<p><b><u>STRUCTURE COMPOSITION:</u></b>  Rugged Steel Frame  Polymer Seat Caps  Protective Wall Coatings</p>
--	--

	Qty	Carton #	Carton Content Description
<input type="checkbox"/>	1	<b>1852-7HN-EX-2</b>	MARTINIQUE . 7 INCH TOP SEAT, 7 INCH VERTICAL, INSTRUCTIONS, PAPERWORK
<input type="checkbox"/>	1	<b>18-7P-EX-3</b>	MARTINIQUE . 7 INCH JOINT, 7 INCH SEAT COVER, 7 INCH SEAT COVER BRACKET, SEAT COVER ASSEMBLY BOLT PACKAGE
<input type="checkbox"/>	1	<b>18-5/8 RAIL-2</b>	MARTINIQUE . 5/8 INCH RAIL
<input type="checkbox"/>	1	<b>1852-TRG-W</b>	MARTINIQUE . WALL (TOURING GRAY), PLASTIC EDGING, 52+WALL JOINT PACKAGE

# Carton Breakdown

## Martinique 18' Round 52"

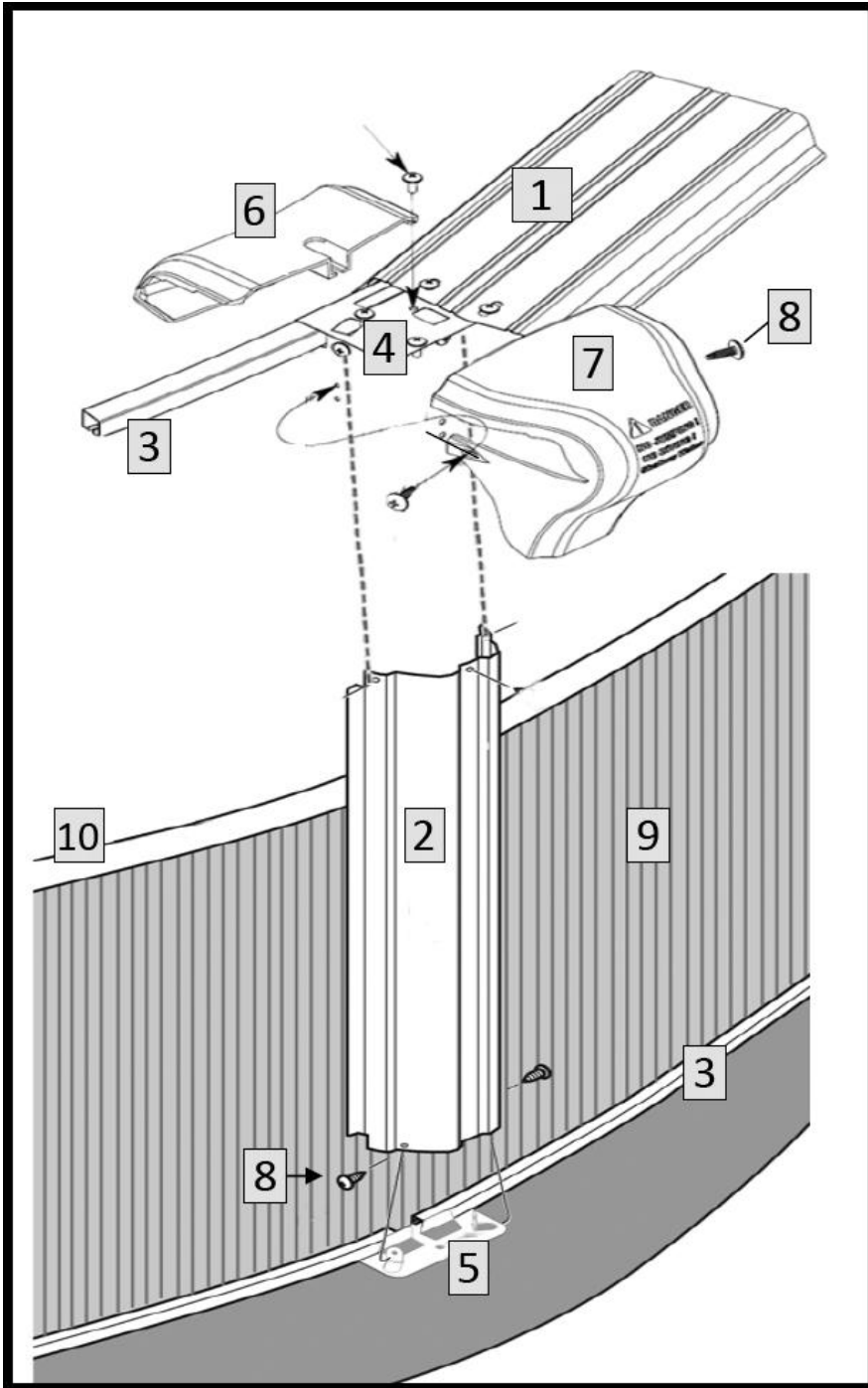
### NB2612

Key #	Qty	Item #	Mfg Part #	Part Description	
<b>FRAME CARTON # 1852-7HN-EX-2</b>					
<input type="checkbox"/>	1	12	NBP1050	1174EX	7in Top Seat L=1444 (56-7/8+) 15ft
<input type="checkbox"/>	2	12	NBP1053	2374EX	7in Vertical (52+High)
<input type="checkbox"/>	---	1	-----	0022	Warranty
<input type="checkbox"/>	---	1	-----	0023	Safety Decals
<input type="checkbox"/>	---	1	-----	0024	Parts List + Frame Instruction
<input type="checkbox"/>	---	1	-----	0025	Safety Booklet
<input type="checkbox"/>	---	1	-----	0001	Round Instruction Manual
<b>FRAME CARTON # 18-5/8 RAIL-2</b>					
<input type="checkbox"/>	3	24	NBP1055	1618	5/8in Rail L=1431mm (56-3/8+)
<b>FRAME CARTON # 18-7P-EX-3</b>					
<input type="checkbox"/>	4	12	NBP1061	2176	7in Resin Joint - Upper
<input type="checkbox"/>	5	12	NBP1062	2276	7in Resin Joint - Lower
<input type="checkbox"/>	6	12	NBP1064	2475EX	7in Seat Cover - Inside
<input type="checkbox"/>	7	12	NBP1065	2476EX	7in Seat Cover - Outside
<input type="checkbox"/>	8	1	NBP1111	0341	<b>SEAT COVER ASSEMBLY BOLT PACKAGE</b> #12 Sheet Metal Screw (144)
<b>WALL CARTON # 1852-TRG-W</b>					
<input type="checkbox"/>	9	1	PC5218	52+Wall	Touring Gray Wall
<input type="checkbox"/>	10	14	NL107	8100	Plastic Edging
<b>52" Wall Joint Bolt Package (Part # 0113, Order # NBP1021)</b>					
<input type="checkbox"/>	3	26	NBP1021	0513*	¼+x ½+Truss Head Screw
<input type="checkbox"/>	3	51	NBP1021	0411*	¼+Reinforcing Washer
<input type="checkbox"/>	3	26	NBP1021	0611*	¼+Nut

\*These part #s are not available to purchase separately. They must be purchased as the Wall Joint Bolt Package, Order # NBP1021

# Martinique 18' Round 52"

NB2612



Key #	Part Description	Item #
1	Top Seat	NBP1050
2	7in Vertical	NBP1053
3	5/8in Rail	NBP1055
4	7in Resin Joint - Upper	NBP1061
5	7in Resin Joint - Lower	NBP1062
6	7in Seat Cover - Inside	NBP1064
7	7in Seat Cover - Outside	NBP1065
8	Assembly Hrdwr.	NBP1111
9	Wall	PC5218
---	Wall Joint Hrdwr.	NBP1021
10	Plastic Edging	NL107