



Thank you for purchasing Leick Furniture products.
Contact customer service for comments or concerns.

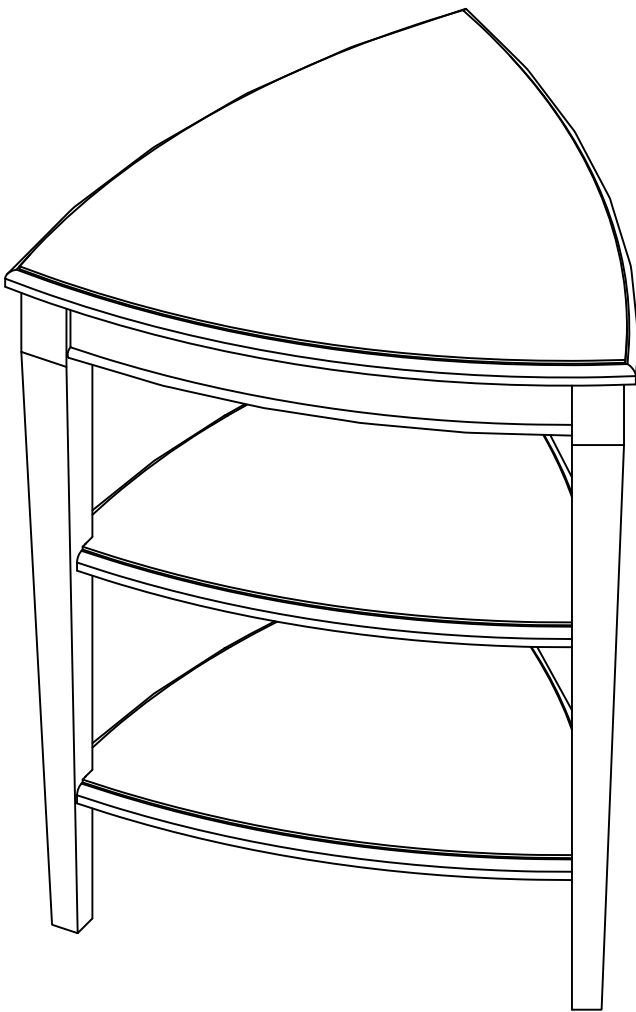
Sheboygan, WI







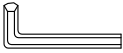

920-451-4060

info@leickfurnituresince1910.com

www.leickfurnituresince1910.com

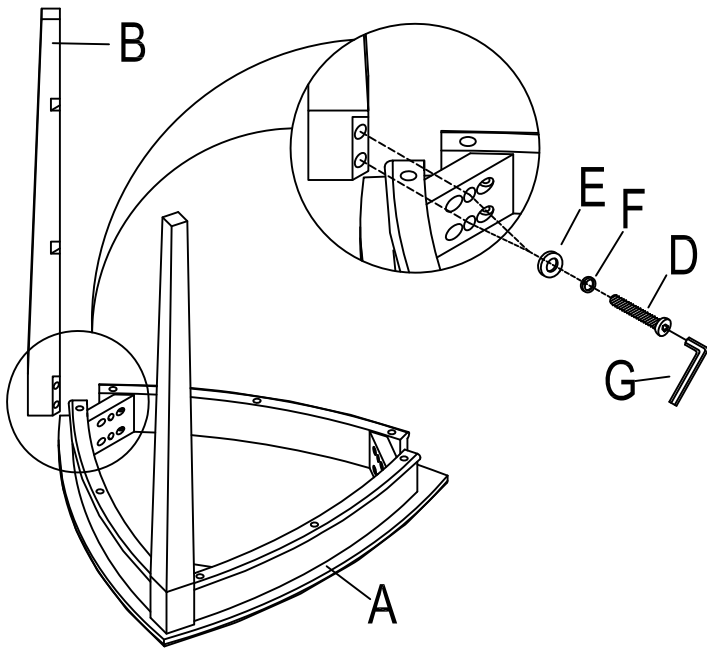
Assembly Instructions, #9009 shield tier table



A: Top	
B: (3) Legs	
C: (2) Shelves	
D: (6) Bolts	
E: (6) Lock washers	
F: (6) Flat washers	
G: Allen Wrench	
H: (6) Screws	

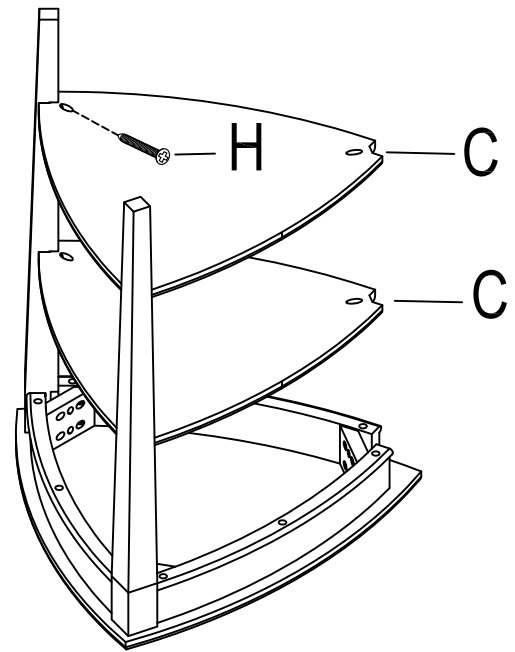
Step 1

Put top upside down on a soft surface. Bolt two legs with parts (E, F, and D), tighten.



Step 2

Insert middle shelf in leg notches then fasten with screws. Do the same thing on bottom the shelf.



Step 3

Put the third leg on and fasten with bolt and screws.

