

Sensorflo Exposed Sensor Battery Water Closet Flushometer 1.28 GPF

FEATURES:

- 1.28 gpf (4.8 Lpf) flush volume
- Battery powered (4x standard AA alkaline batteries, included)
- 300,000 cycles (4 years) battery
- Piston valve
- Yellow brass valve body material
- Top spud fixture connection
- 11 1/2" (292mm) rough-in Dimension
- 1 1/2"-11 1/2 NPSM spud coupling
- 1"-11 1/2 NPT supply pipe
- 1" sweat solder adapter with cover tube and escutcheon
- Manual override stem seal, piston cup seal washer, piston sealing washer, stop-body plunger seal, and tailpiece O-ring are molded from chloramine resistant rubber compound
- 2 to 3 second flush delay
- Low battery indicator: Light on sensor window flashes once per second when low, and twice per second when critically low
- Fixed volume bypass with no external adjustment
- Override button located on side of unit
- 1" NPT check-stop, adjustable with flat-tipped screwdriver
- Check-stop cap is secured with a set screw for vandal resistance
- Infrared sensor that detects movement 2 feet away and in a 15° upward sweep

**STANDARDS:**

- ASSE 1037 certified
- WaterSense certified
- ADA compliant

OPERATING REQUIREMENTS:

- Operating Pressure: 20 to 80 PSI (138 to 552 kPa) Flowing
- Operating Temperature: 50 to 110 °F (10 to 43 °C)

FINISH:

PC

WARRANTY:

Visit www.speakman.com for full product warranty information

- 5 Year Limited Warranty (commercial)
- Limited Lifetime Warranty (residential)

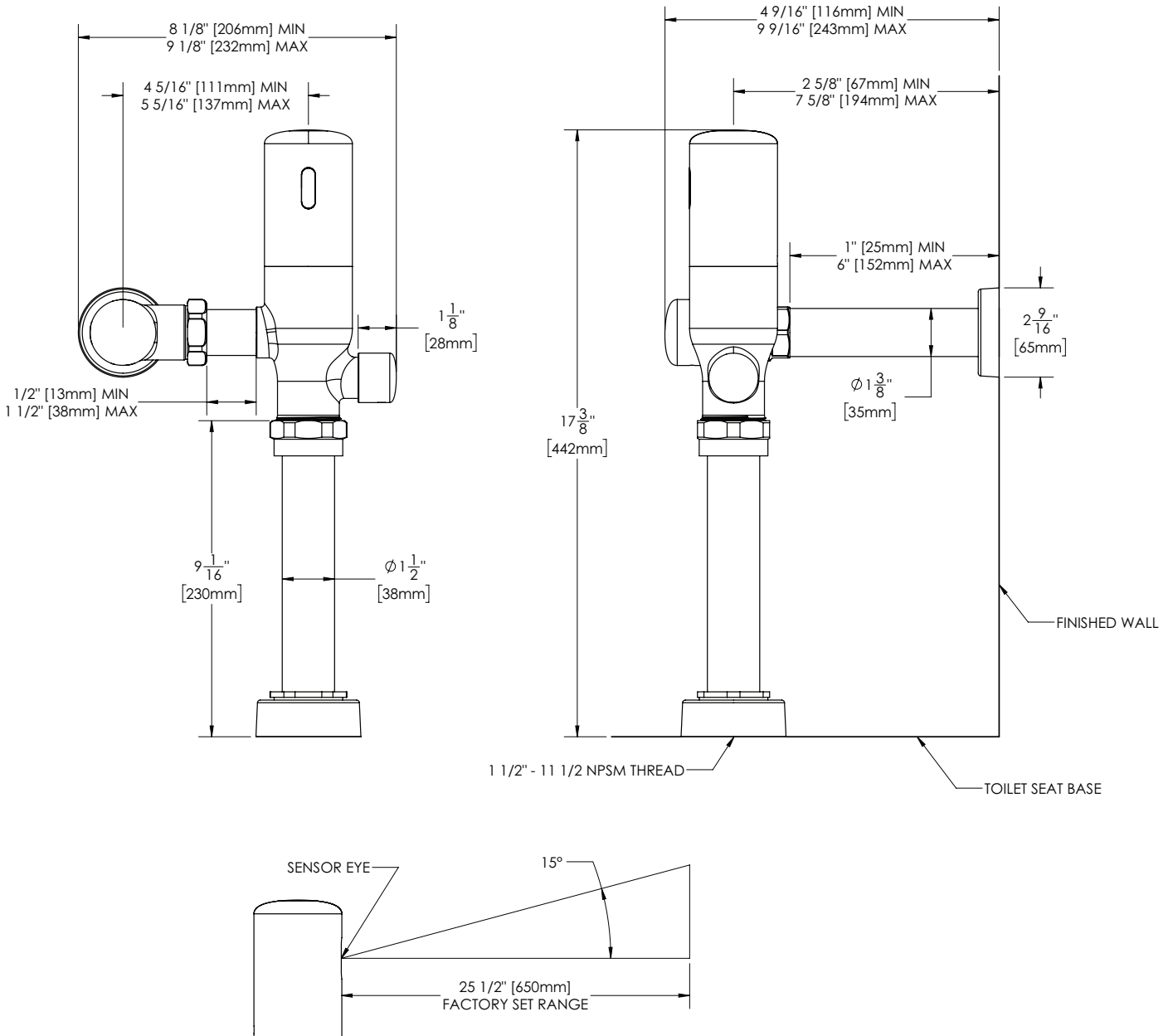
Information continues on next page

1. All dimensions are in inches (millimeters) unless otherwise specified and are subject to change without notice.

Architect/Engineer Approval Space:

P: 800-537-2107
 F: 800-977-2747
 W: WWW.SPEAKMAN.COM
 R: 02-SEPTEMBER 2021

Sensorflo Exposed Sensor Battery Water Closet Flushometer 1.28 GPF



1. All dimensions are in inches (millimeters) unless otherwise specified and are subject to change without notice.

Architect/Engineer Approval Space:

P: 800-537-2107
 F: 800-977-2747
 W: WWW.SPEAKMAN.COM
 R: 02-SEPTEMBER 2021