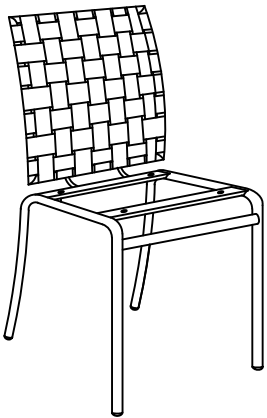






# ITEM NAME /NOM D' ITEM:CRISS CROSS DINING CHAIR

ITEM # /NO. ITEM:333012 (BLACK/NOIR)

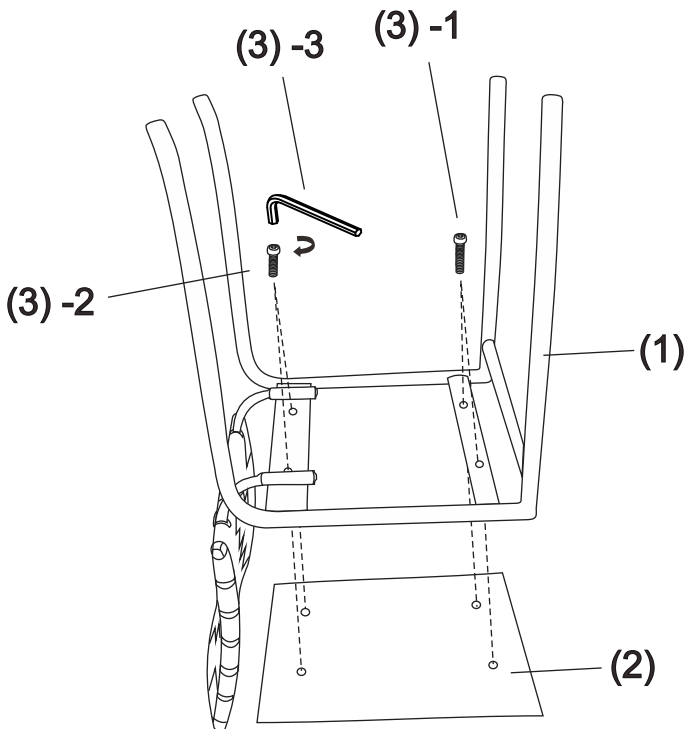
Enquiry:parts@zuomod.com

## PART LIST/Liste des pièces

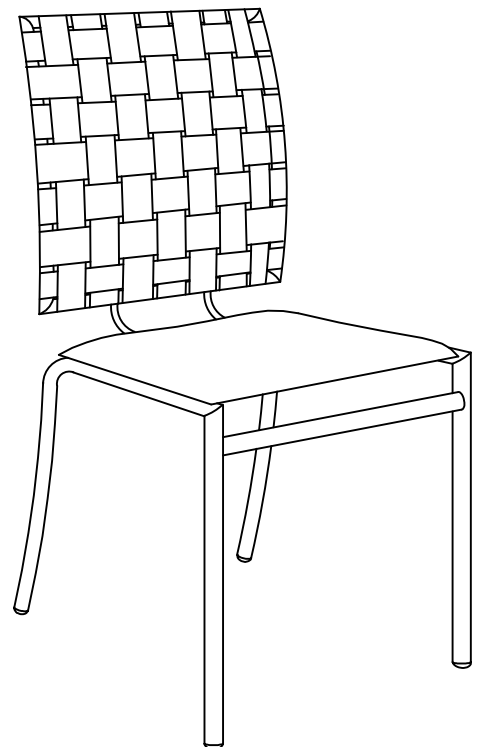
(1)	(2)	(3)
 <p>X1</p>	 <p>X1</p>	<p>1.  X2 6*20mm</p> <p>2.  X6 6*25mm</p> <p>3.  X1</p>

## INSTRUCTION

**A**

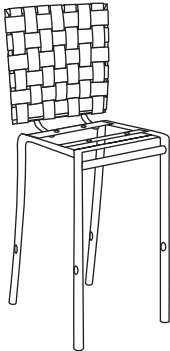
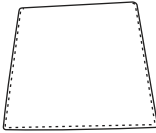
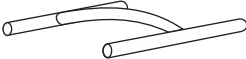





**B**



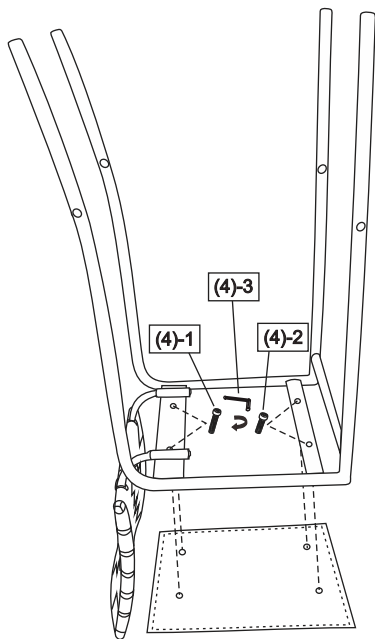
**ITEM NAME/NOM D' ITEM: CRISS CROSS COUNTER BARSTOOL**  
**ITEM # /NO. ITEM: 333070(ESPRESSO/ESPRESSO)**  
**333071(WHITE/BLANC)**

**PART LIST/Liste des pièces**

(1)	(2)	(3)	(4)
 <p><b>μ E</b> X1</p>	 <p>X1</p>	 <p>X1</p>	<p>1.  X2</p> <p>2.  X6</p> <p>3.  X1</p>

**INSTRUCTION**

**A**



**B**

