



Item No: TD-11332A  
Fantasy Fields - Happy Farm Rocking Chair

**WARNING**

Small parts and sharp points may be present prior to assembly.

**CARE INSTRUCTIONS**

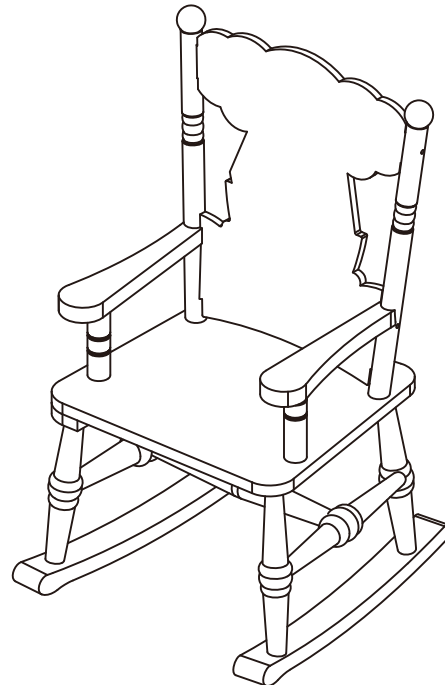
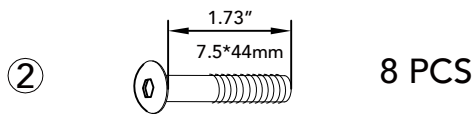
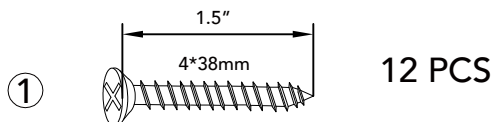
To clean your product, use mild soap and water on a damp cloth. Do not use window cleaners or cleaning abrasives as they will scratch the surface and could damage the protective coating.

**CUSTOMER SERVICE**

For questions regarding this product, or to receive replacement or missing parts, please contact customer service based on your location. Please have ready the model number and part number(s) located in this assembly instruction sheet when you contact us.

Made in China

**HARDWARE**

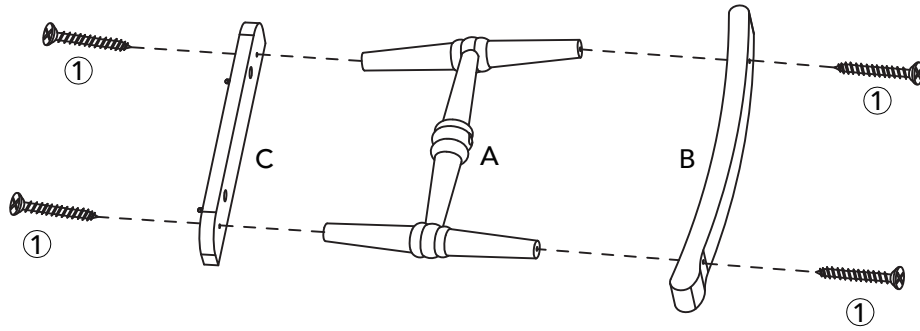


**PRODUCT PARTS**

<p>A</p> <p>1PC</p>	<p>B</p> <p>1PC</p>	<p>C</p> <p>1PC</p>	<p>D</p> <p>1PC</p>	<p>E</p> <p>1PC</p>	<p>F</p> <p>1PC</p>	<p>G</p> <p>1PC</p>
<p>H</p> <p>1PC</p>	<p>I</p> <p>1PC</p>	<p>J</p> <p>1PC</p>	<p>K</p> <p>1PC</p>	<p>L</p> <p>1PC</p>	<p>M</p> <p>1PC</p>	

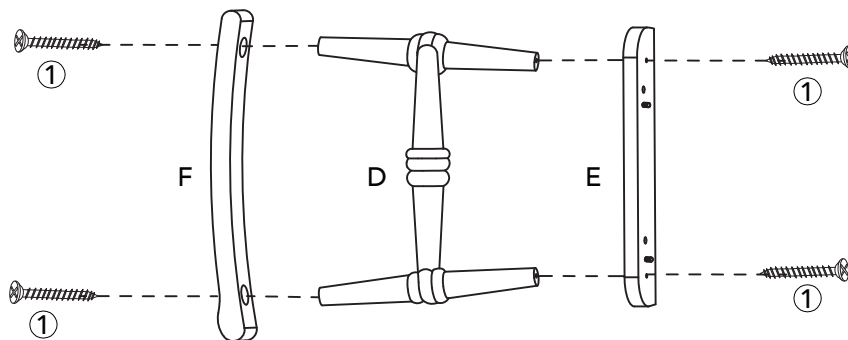
STEP1

①  4\*38mm 4PCS



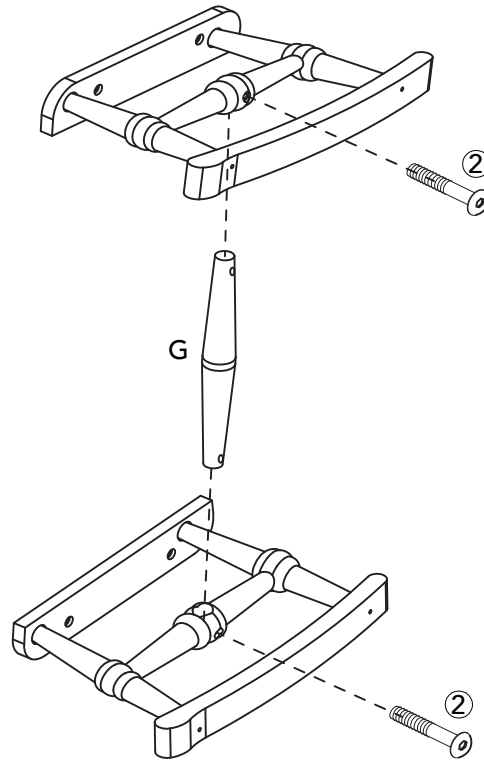
STEP2

①  4\*38mm 4PCS



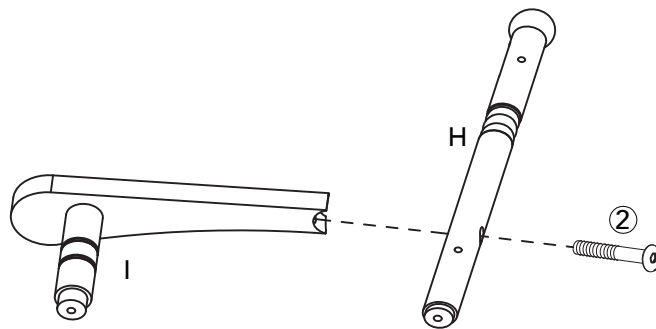
STEP3

② 7.5\*44mm 2PCS

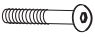


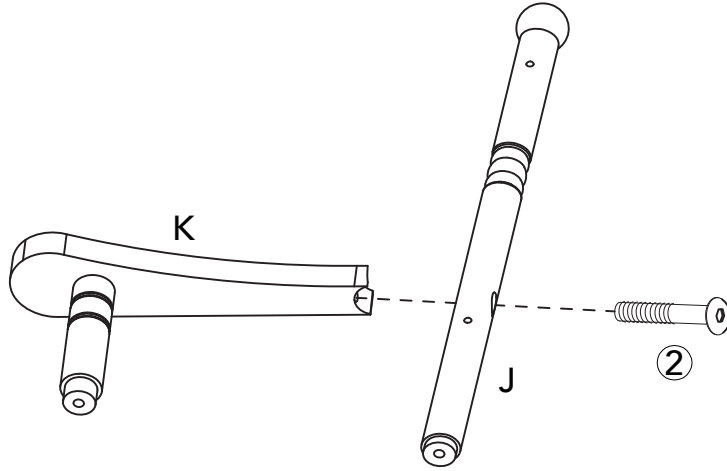
STEP4

② 7.5\*44mm 1PC



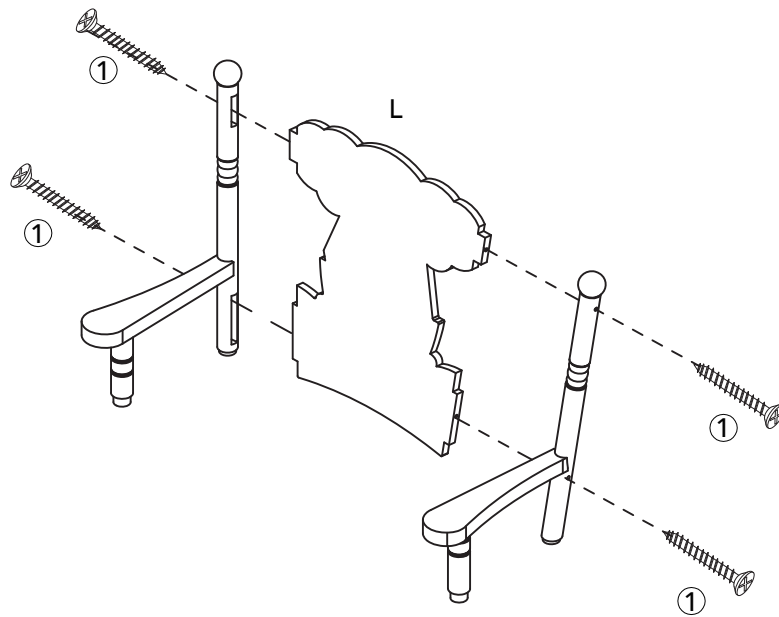
STEP5

②  1PC  
7.5\*44mm

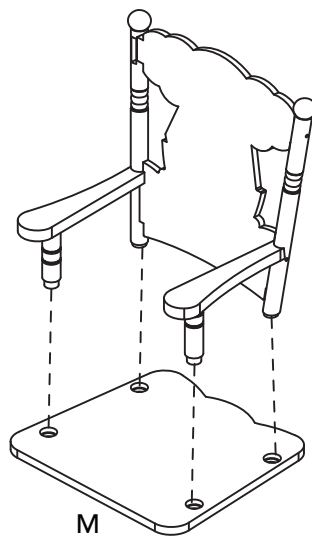


STEP6

①  4PCS  
4\*38mm

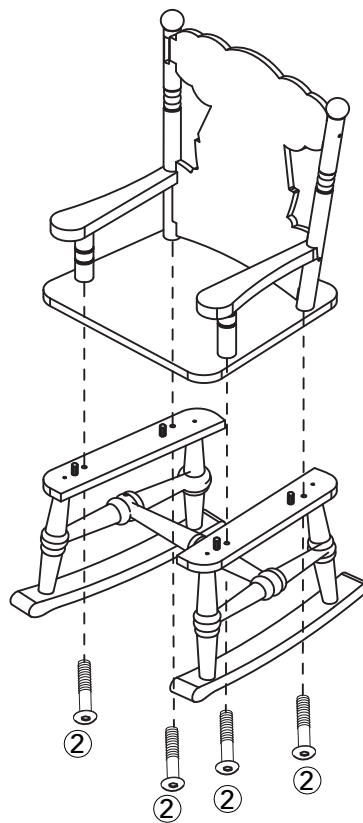


STEP7



STEP8

② 7.5\*44mm 4PCS



STEP9

