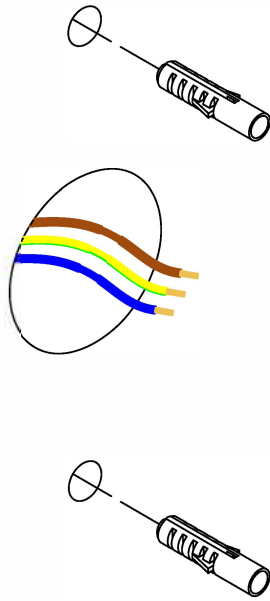
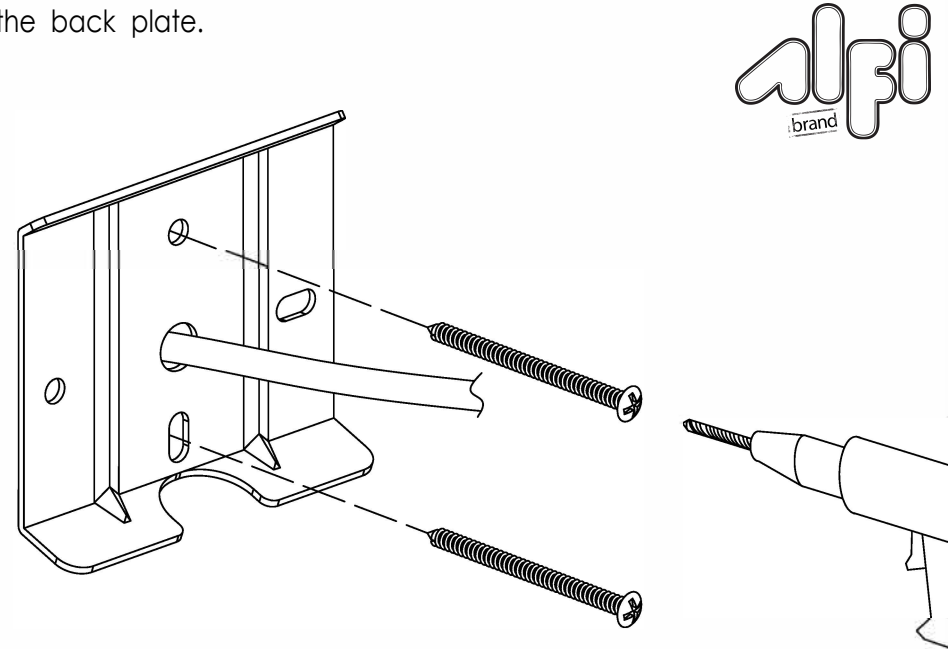


Installation Instructions for Mirror with Lights

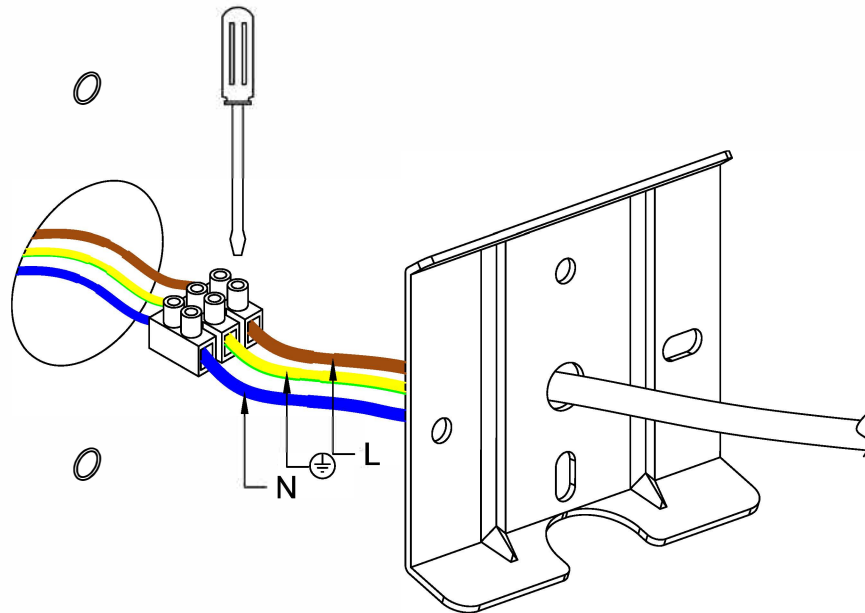
Drill the proper holes for Cable wire.



Screw the back plate.



Fix the connector with the cable wired.



1	3
2	4

Fix the mirror with screws by allen Key.

