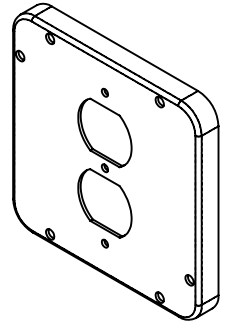
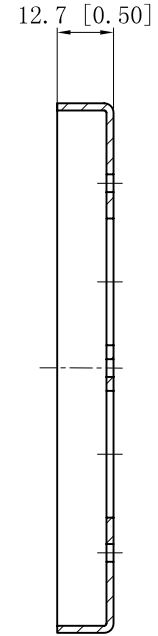
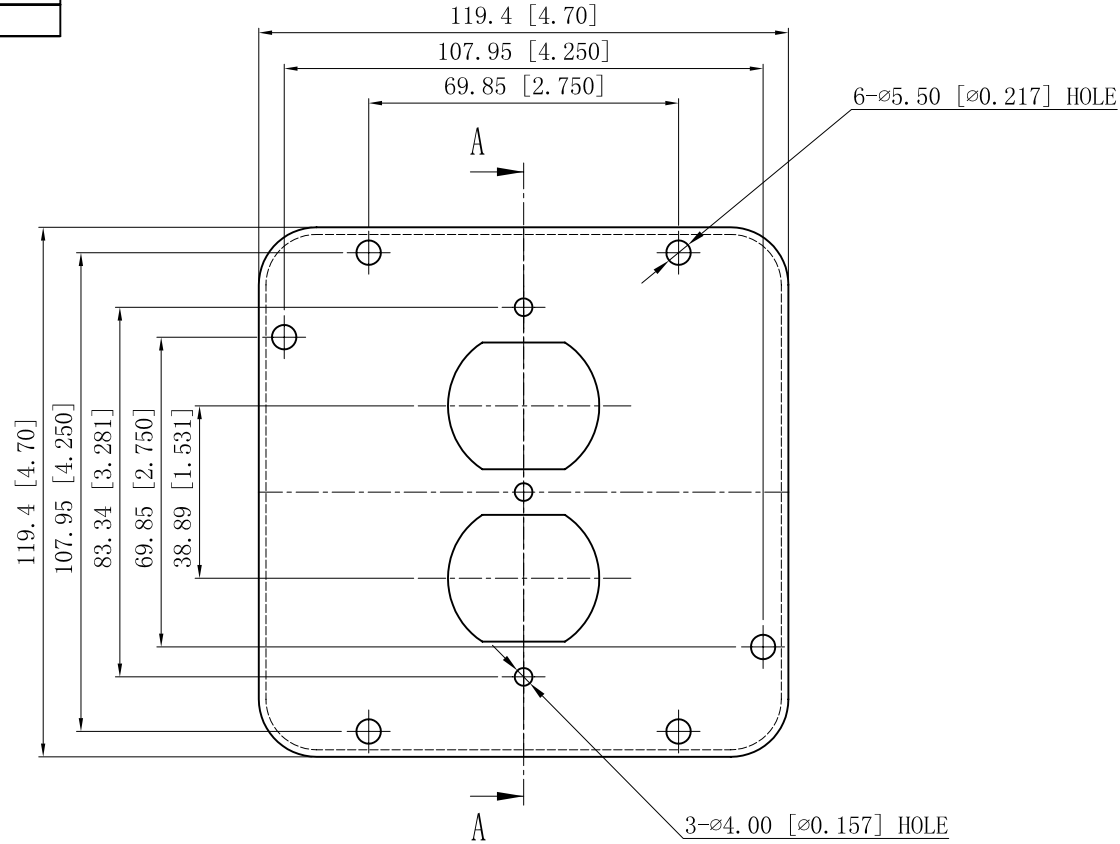
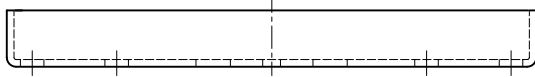
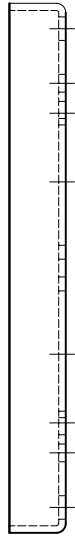


SIDES	BOTTOM
3 PCS 6-32×5/16 Screws Pack In Poly-bag Sepwrtely	
4 PCS 8-32×1 Screws Pack In Poly-bag Sepwrtely	
2 PCS 6-32 Nut Pack In Poly-bag Sepwrtely	
Material:Steel-0.0625"-G60 Galvanized	



DESCRIPTION
TRADE REFERENCE TERMS

This data sheet is for reference only .GARVIN INDUSTRIES reserves the right to make changes to the design without prior notice.

STANDARD PACKING	<h1 style="text-align: center;">GARVIN INDUSTRIES</h1>		
25 PCS			
	SIZE	DWG NO.	REV
	A4	72C38	C
DATA SHEET			