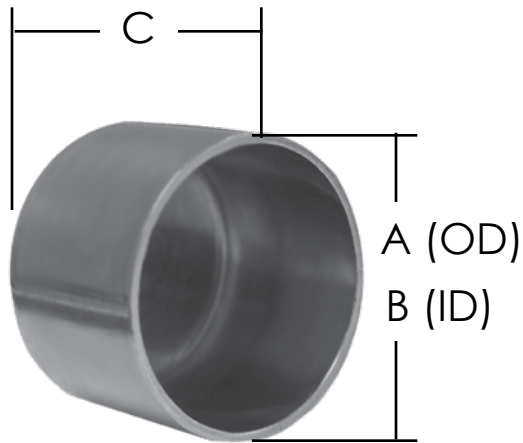


SPECIFICATION SUBMITTAL SHEET

JONES STEPHENS CORPORATION

1 1/2" TUBE CAP



PART NO. C75063

features & benefits

This product and others like it can be found in the Jones Stephens catalog. Call today to order your catalog or download it from our website: www.plumbest.com

PART NO.	DESCRIPTION	A	B	C
□ C75063	1 1/2" Tube Cap	1 3/4" OD	1 11/16" ID	2 3/4"

Jones Stephens Corporation
3249 Moody Parkway • Moody, Alabama 35004
Toll Free Phone: 1-800-355-6637 • Toll Free Fax: 1-800-462-6991
www.plumbest.com