

**AXOR ShowerSolutions**  
**Thermostatic Module Trim 15" x 5" for 3 Functions**  
 Finishes : **chrome** Part no. : **10751001**

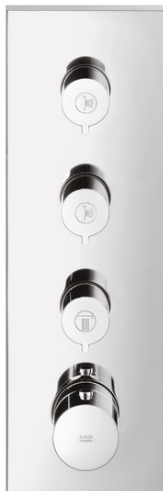


## Description

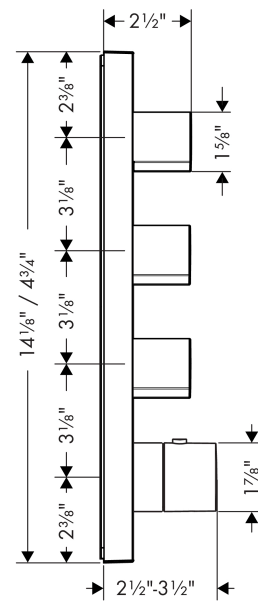
### Features

- Outlets may be operated simultaneously
- Flow: 16.0 GPM (60.6 L/Min)
- Thermostatic cartridge
- Anti-scald 100° safety stop

## Product image



## Scale drawing

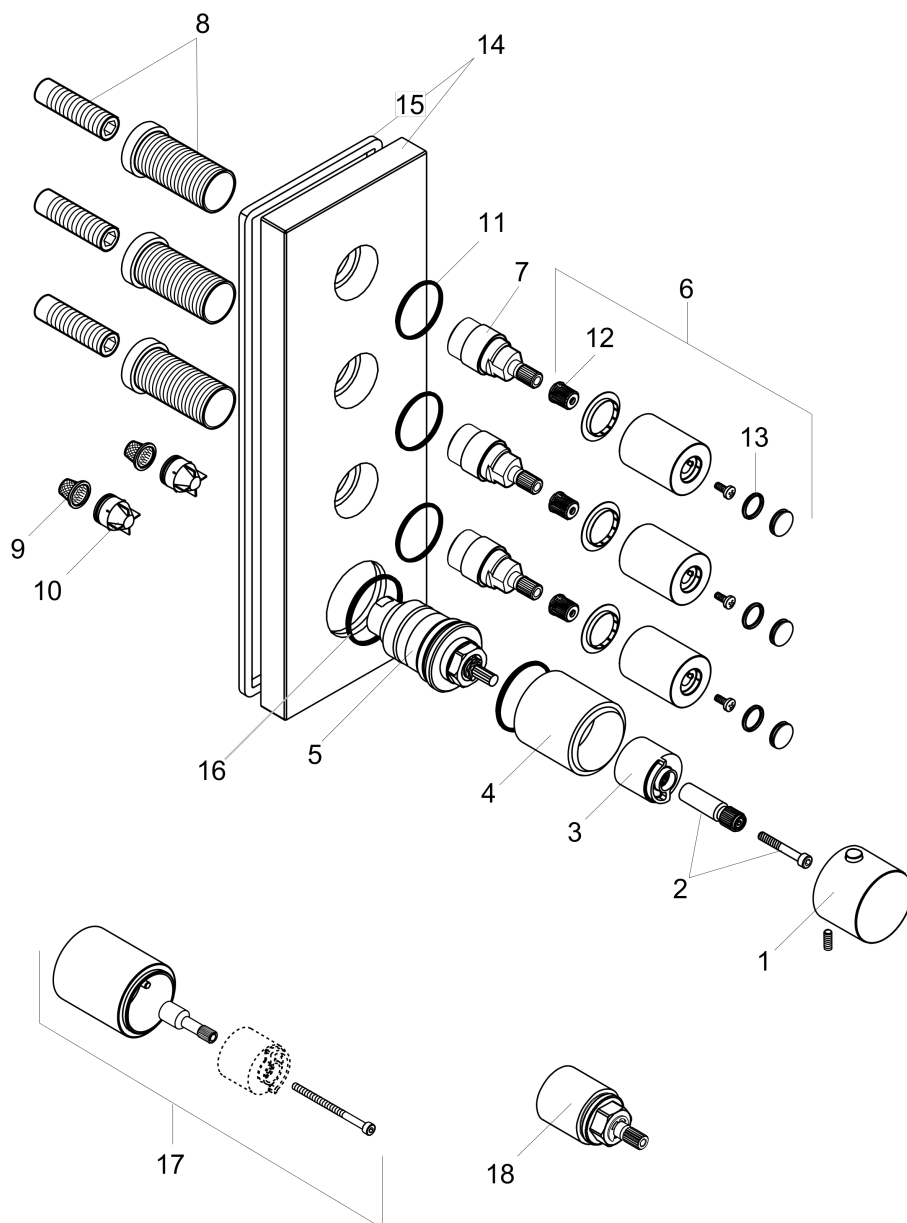


**AXOR ShowerSolutions**  
**Thermostatic Module Trim 15" x 5" for 3 Functions**  
Finishes : **chrome**    Part no. : **10751001**



## Exploded drawing

Year of production: >04/09



**AXOR ShowerSolutions**  
**Thermostatic Module Trim 15" x 5" for 3 Functions**  
 Finishes : **chrome**    Part no. : **10751001**



## Spare parts list

Year of production: >04/09

Pos.	Description	Part no.	PC	PU
1	handle for thermostat	95316001	0	1
2	adapter for handle	98701000	0	1
3	safety set for temperature control	97334000	0	1
4	sleeve	95331000	0	1
5	thermostat cartridge	96633000	0	1
6	handle	96298001	0	1
7	adapter for handle	95153000	0	1
8	fixing set	96393000	0	1
9	filter	97973000	0	1
10	set of non return valves DW 15	97350000	0	1
11	O-ring 26x2	98147000	0	1
12	handle fixing set	98932000	0	1
13	O-ring 13x2	98128000	0	1
14	escutcheon	95317000	0	1
15	seal	95885000	0	1
16	O-ring 48x4	98414000	0	1
17	extension 25 mm	10790000	0	1
18	extension 25 mm	96370000	0	1
a	base body	10750181	0	1