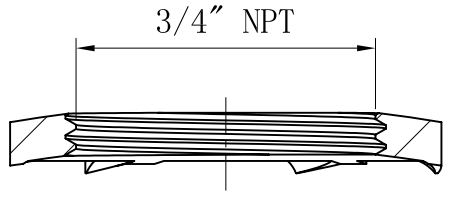
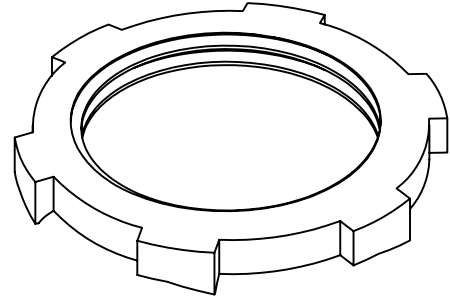
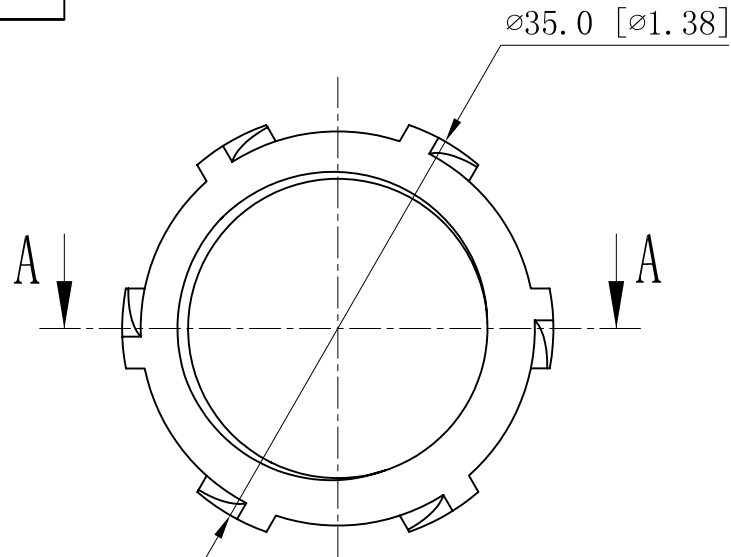


SIDES	BOTTOM
Material: Steel-0.134"-C1008~C1018, Zinc plated	



CUTAWAY VIEW A-A

This data sheet is for reference only .GARVIN INDUSTRIES reserves the right to make changes to the design without prior notice.

DESCRIPTION
TRADE REFERENCE TERMS

STANDARD PACKING
100 PCS

TITLE			GARVIN INDUSTRIES		
STEEL LOCKNUTS					
SIZE	DWG NO.				REV
A4	LN-75				
DATA SHEET					