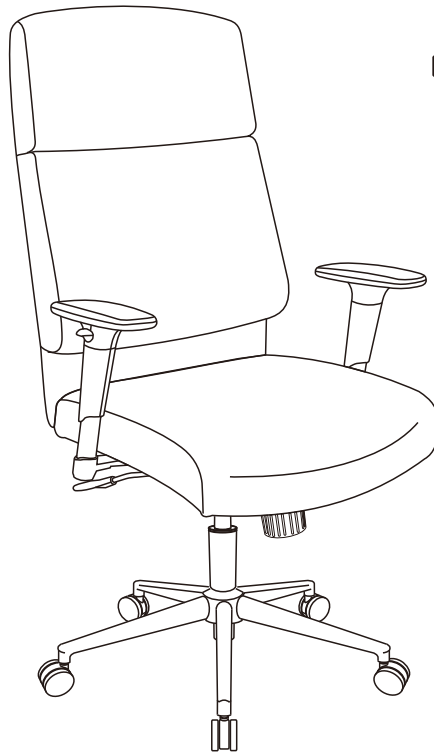
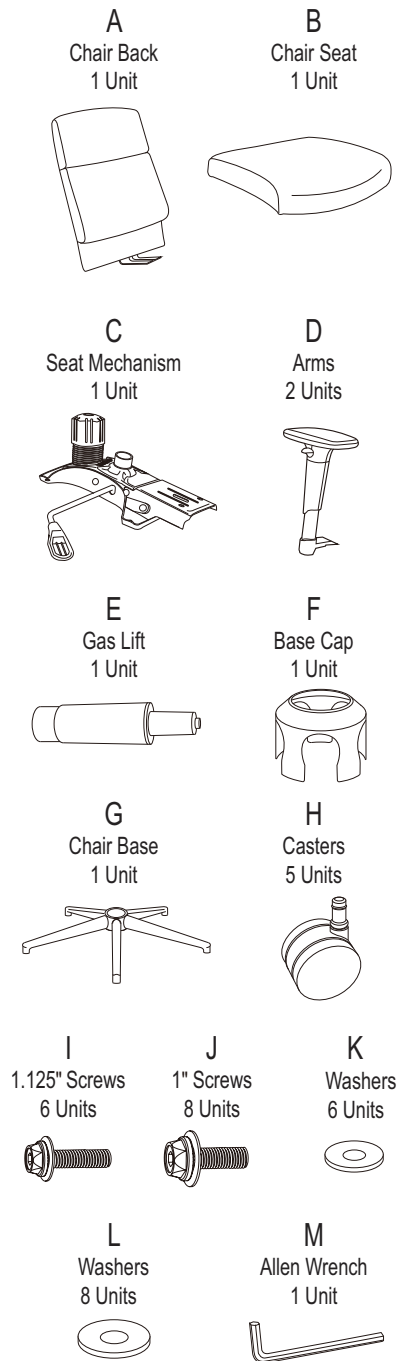


Model 568 High Back Bonded Leather Manager Chair

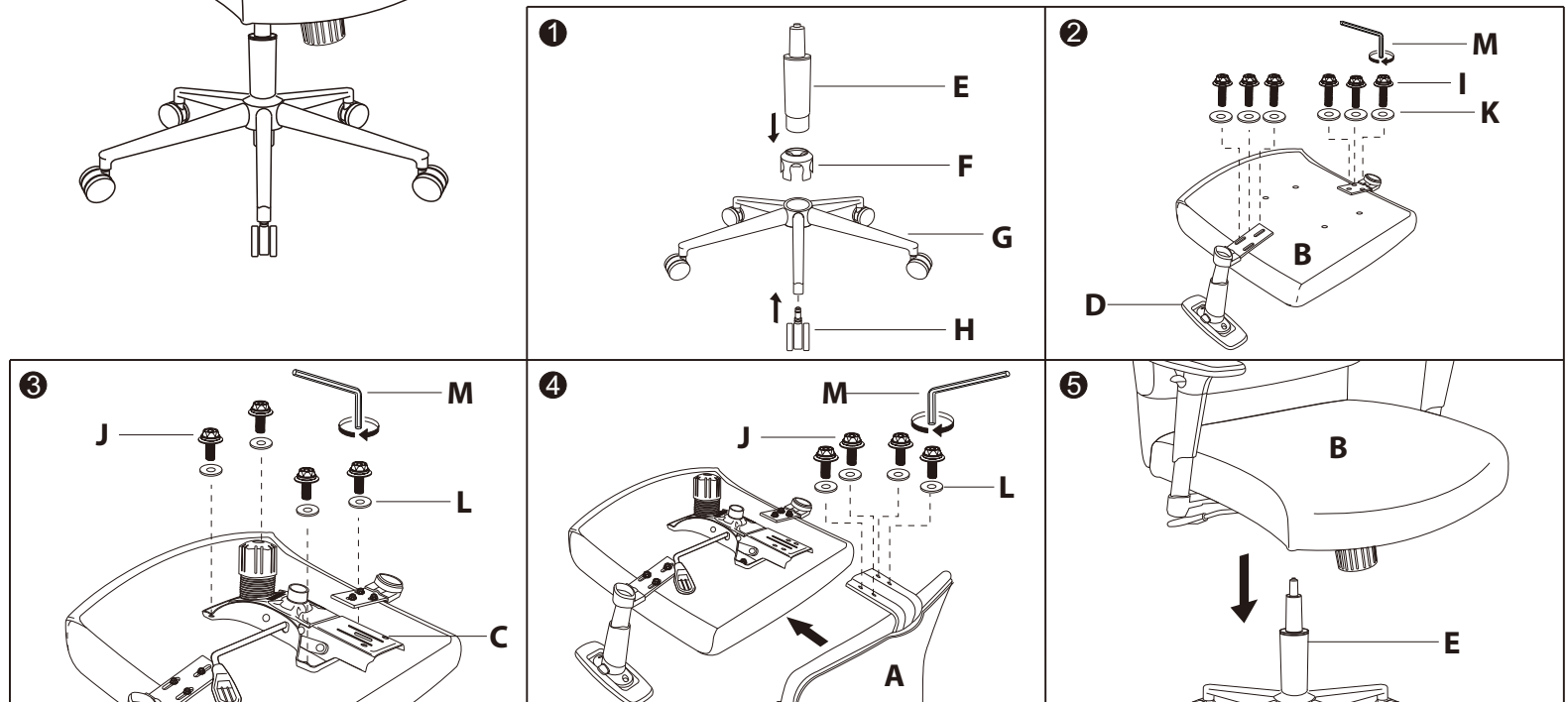
Parts Listing



Assembly Instructions

STOP Tools Needed: Allen Wrench - Provided
Please read all instructions before assembly.

- Step 1:** Insert Casters (H) into Chair Base (G). Place Base Cap (F) onto the top of the Chair Base (G) and insert Gas Lift (E) into the hole in center of Base (G).
- Step 2:** Place Chair Seat (B) upside-down on a level, non-abrasive surface. Attach Arms (D) to Chair Seat (B) using Washers (K) and 1.125" Screws (I). Tighten with Allen Wrench (M).
- Step 3:** Place Seat Mechanism (C) on Chair Seat (B) and align the four holes in the mechanism with the holes in Chair Seat (B). Secure into place with four Washers (L) and four 1" Screws (J). Tighten with Allen Wrench (M).
- Step 4:** Attach Chair Back (A) to Chair Seat (B) by sliding the Seat Back (A) into Seat Mechanism (C) and securing with four Washers (L) and four 1" Screws (J) as shown. Tighten with Allen Wrench (M).
- Step 5:** Carefully place the assembled Chair Frame onto Gas Lift (E), aligning the hole in the Seat Mechanism (C) with Gas Lift (E). Press down on the Chair Seat (B) to secure in place.



WEIGHT CAPACITY: 250 lbs.

Assembly Notes:

During assembly, hand tighten screw only when all screws are in place, you may then tighten all screws completely.

CAUTION:

- Do not use this chair as a step ladder.
- Check for loose screws and tighten them every 6 months.

161 Tradition Trail Holly Springs, NC, 27540
800-520-7471 (voice) 919-362-4765 (fax)
919-303-6389 (voice) www.ofminc.com
support@ofminc.com