

SPECIFICATIONS

DESCRIPTION

- 4 positions (OFF, 1, 1 and 2, 2) share
- Thermostatic / pressure balance coaxial cartridge with check valves
- R23, R23-SPEX or R23-EX rough required to complete
- Trim only

FLOW

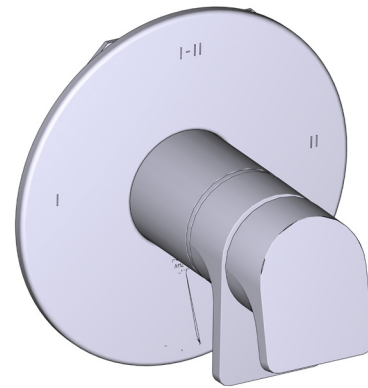
- 24 L/min, 6.3 gpm (US) 60psi
- Type TP - For use with shower heads rated at 7L/min (1.8 gpm) or higher

STANDARDS

- CSA B125.1
- ASME A112.18.1
- ASSE 1016

WARRANTY

- Most products or parts carry "Limited Warranties" against manufacturing defects. For US customers please visit [houseofrohl.com / support](http://houseofrohl.com/support) and for Canadian customers please visit riobel.ca for complete product and finish warranty.

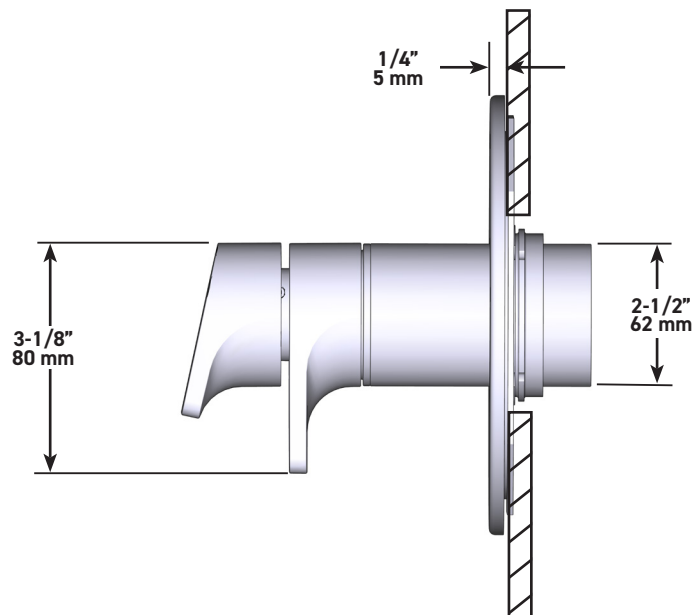
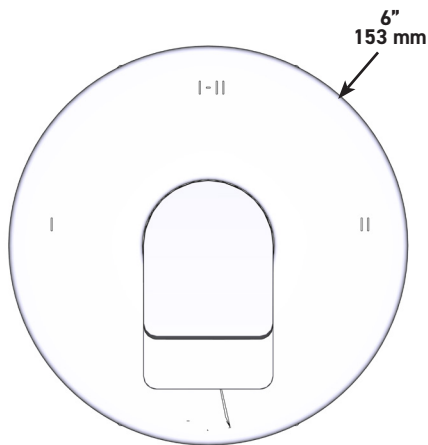


ODE

2-way Type T/P coaxial valve trim

MODEL: TOD23

UPC®



U.S.A.
houseofrohl.ca/support
1-800-777-9762

QUEBEC / MARITIMES / WESTERN CANADA
houseofrohl.ca/support
1-866-473-8442

ONTARIO
houseofrohl.ca/support
1-800-287-5354

SPECIFICATIONS

DESCRIPTION

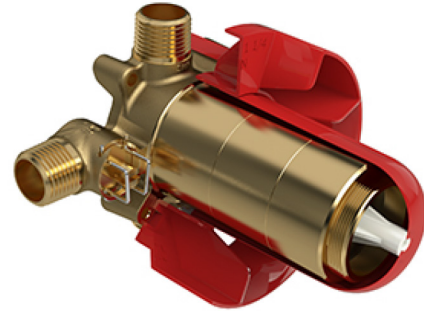
- Test cap
- Service valves
- ½" inlet male NPT or sweat
- Two ½" outlets male NPT or sweat
- TXX23XX or TXX44XX trim required to complete
- Rough only

STANDARDS

- CSA B125.1
- ASME A112.18.1
- ASSE 1016
- CMR248 Approval

WARRANTY

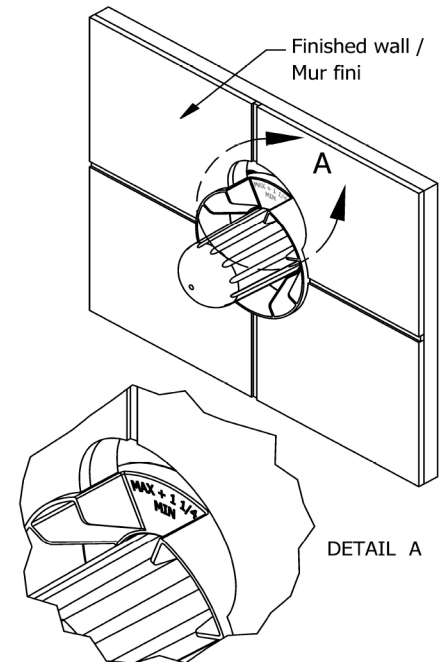
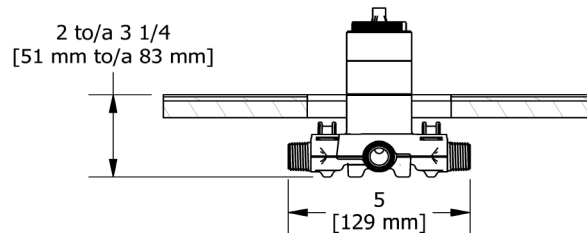
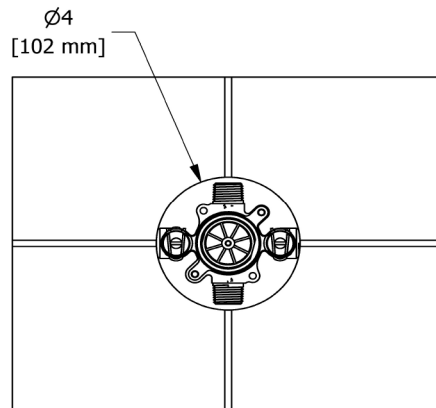
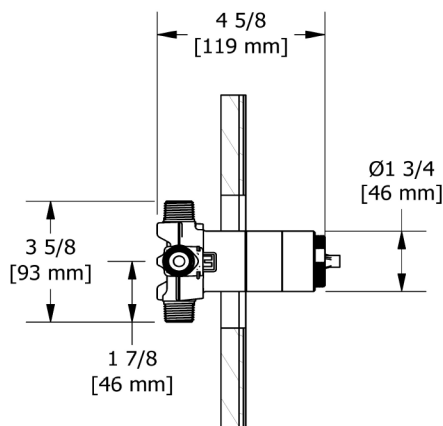
- Most products or parts carry "Limited Warranties" against manufacturing defects. For US customers please visit houseofrohl.com/support and for Canadian customers please visit riobel.ca for complete product and finish warranty.



R23

2-Way Type Coaxial Valve Rough

UPC®



U.S.A.
houseofrohl.ca/support
1-800-777-9762

QUEBEC / MARITIMES / WESTERN CANADA
houseofrohl.ca/support
1-866-473-8442

ONTARIO
houseofrohl.ca/support
1-800-287-5354

SPECIFICATIONS

DESCRIPTION

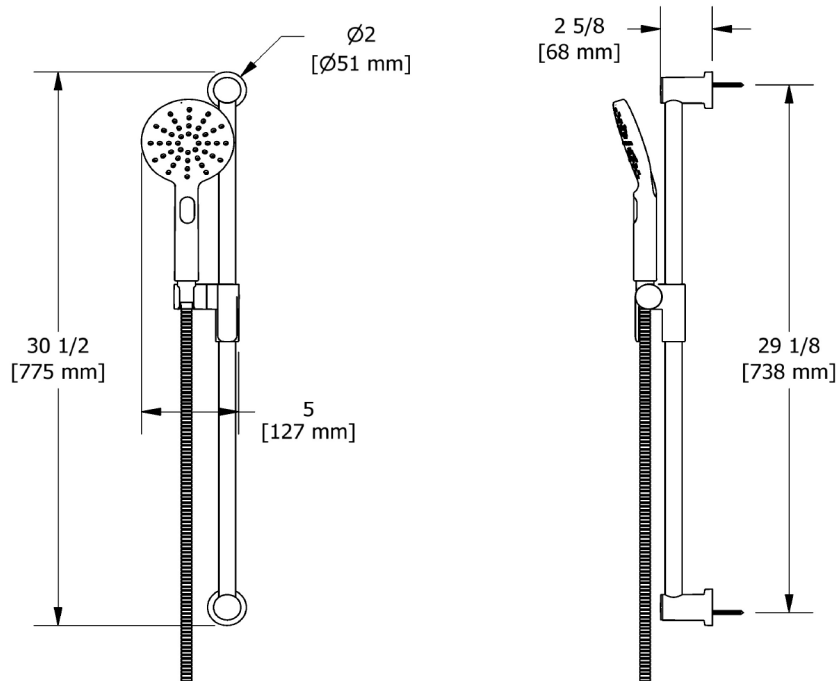
- Scale-free
- 150 cm (59") double interlock flexible hose, swivel and 2 check valves
- Ø22 mm (7/8") slide bar
- 2-jet hand shower
- Easy-Glide left cursor

WARRANTY

- Most products or parts carry "Limited Warranties" against manufacturing defects. For US customers please visit houseofrohl.com/support and for Canadian customers please visit riobel.ca for complete product and finish warranty.



4664
Hand shower rail



U.S.A.
houseofrohl.ca/support
1-800-777-9762

QUEBEC / MARITIMES / WESTERN CANADA
houseofrohl.ca/support
1-866-473-8442

ONTARIO
houseofrohl.ca/support
1-800-287-5354

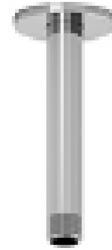
SPECIFICATIONS

DESCRIPTION

- Round flange Moen Smart Water app
- 1/2" inlet male NPT

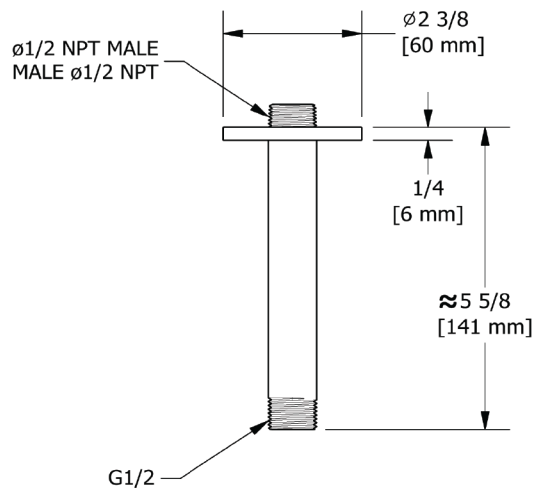
WARRANTY

- Most products or parts carry "Limited Warranties" against manufacturing defects. For US customers please visit houseofrohl.com/support and for Canadian customers please visit riobel.ca for complete product and finish warranty.



15 cm (6") Vertical Shower Arm

MODELS: R508C
R508BN
R508PN



U.S.A.
houseofrohl.ca/support
1-800-777-9762

QUEBEC / MARITIMES / WESTERN CANADA
houseofrohl.ca/support
1-866-473-8442

ONTARIO
houseofrohl.ca/support
1-800-287-5354

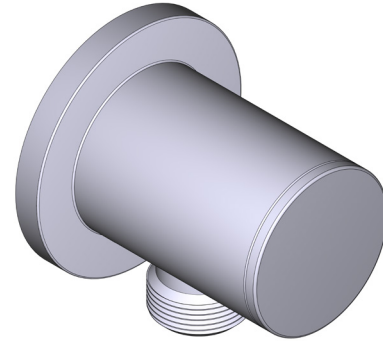
SPECIFICATIONS

DESCRIPTION

- G1/2" female inlet
- G1/2" shank supplied
- Adjustable depth
- G1/2" outlet male

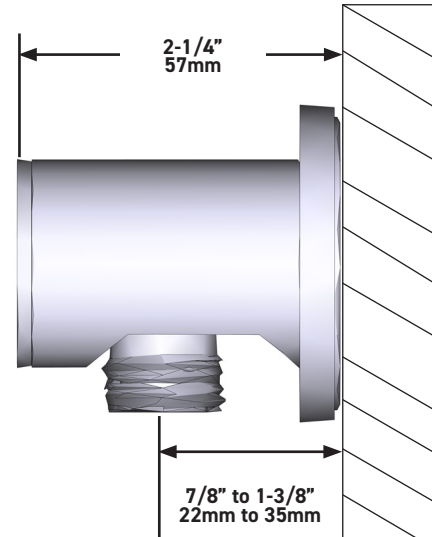
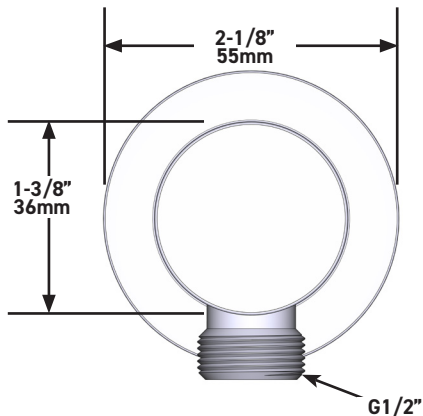
WARRANTY

- www.riobel.design



Elbow Supply

MODELS: 775



U.S.A.
houseofrohl.ca/support
1-800-777-9762

QUEBEC / MARITIMES / WESTERN CANADA
houseofrohl.ca/support
1-866-473-8442

ONTARIO
houseofrohl.ca/support
1-800-287-5354