



# ASSEMBLY INSTRUCTION

B1583-050 STARDUST DRESSER

B1583-060 STARDUST MIRROR

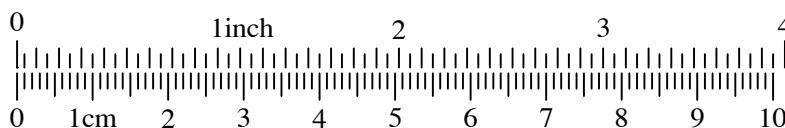
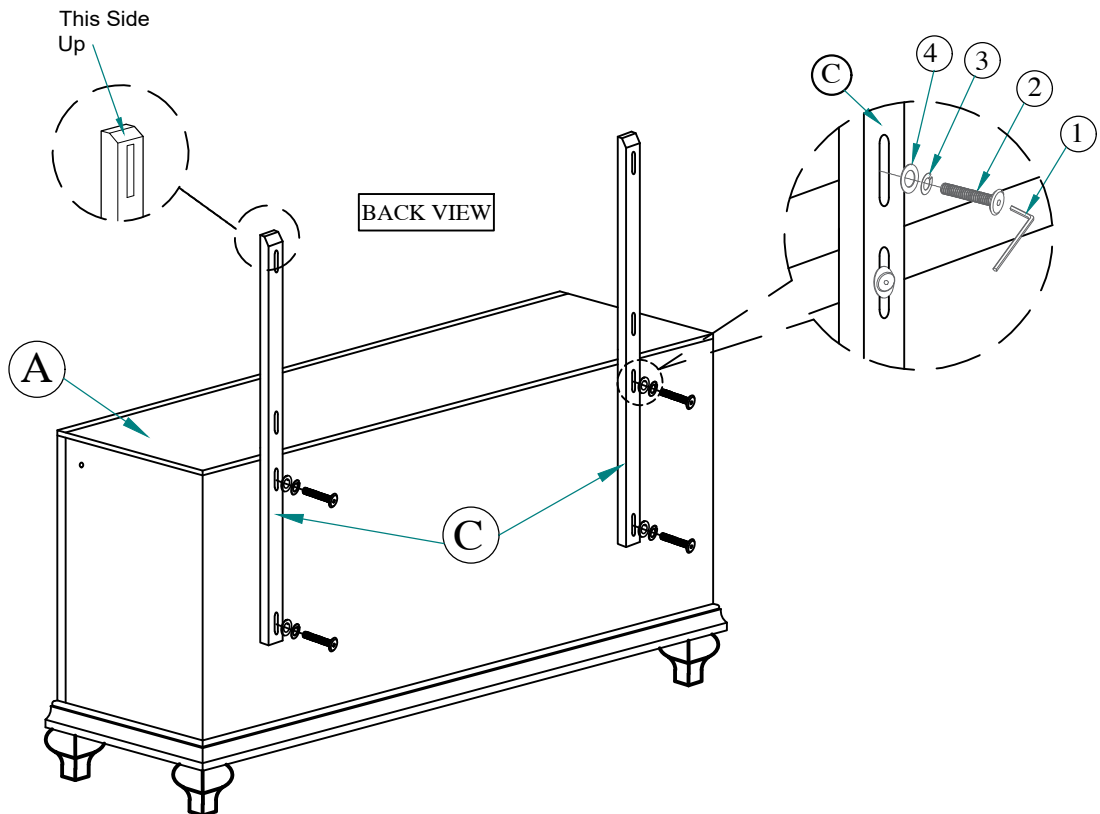
Thank you for purchasing this quality product. Be sure to check all packing materials carefully for small parts which may have come loose inside the carton during shipment. Identify and count all items and compare with the parts list and hardware list shown below.

PARTS LIST			
NO	DESCRIPTION	SKETCH	QTY
A	Dresser		1pc
B	Mirror		1pc
C	Mirror Support		2pcs
D	Wire Connector		1pc

HARDWARE LIST			
NO	DESCRIPTION	SKETCH	QTY
1	Allen Key - M4		1pc
2	Bolt - M6 x 1-3/8"		8pcs
3	Spring Washer - M6		8pcs
4	Flat Washer - 1/4"		8pcs

PLACE WOOD PARTS ON A  
CLEAN NON-ABRASIVE SURFACE

**Step 1:** Assemble the Mirror Support (C), with the slant-cut side up, to the Dresser (A) using the Allen Key (1), Bolt (2), Spring Washer (3), and Flat Washer (4).





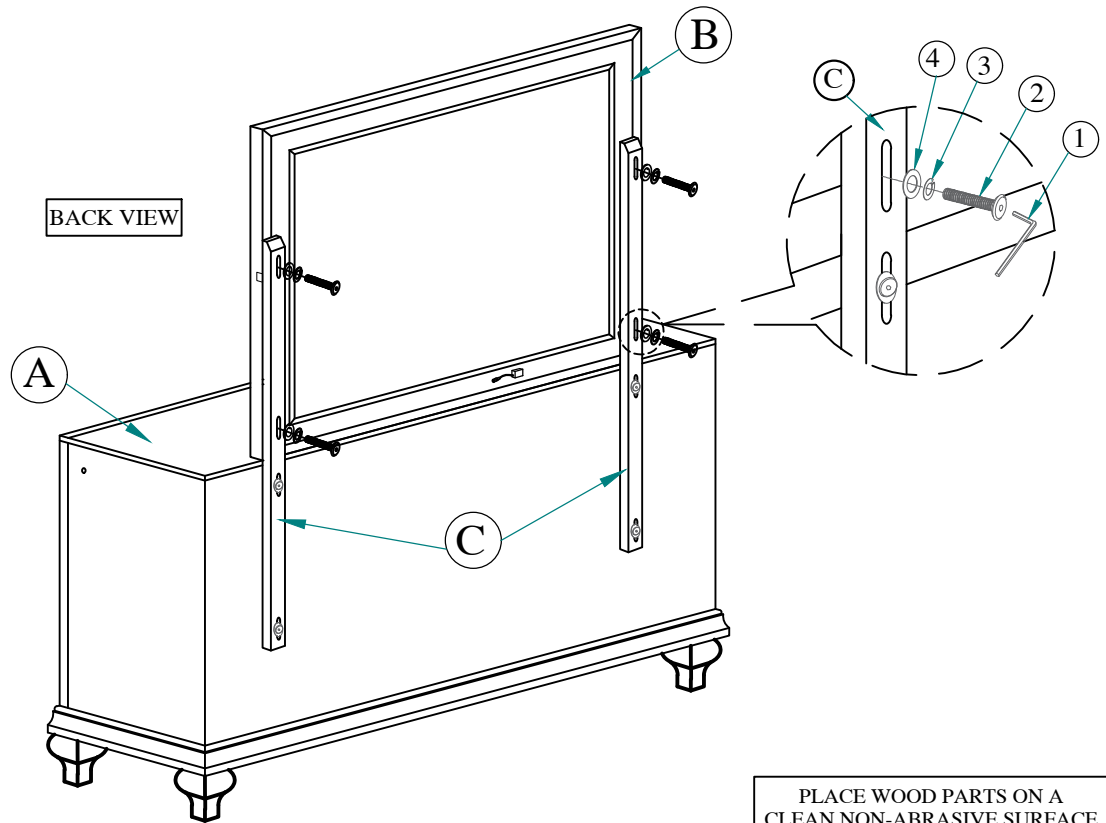
# ASSEMBLY INSTRUCTION

B1583-050 STARDUST DRESSER

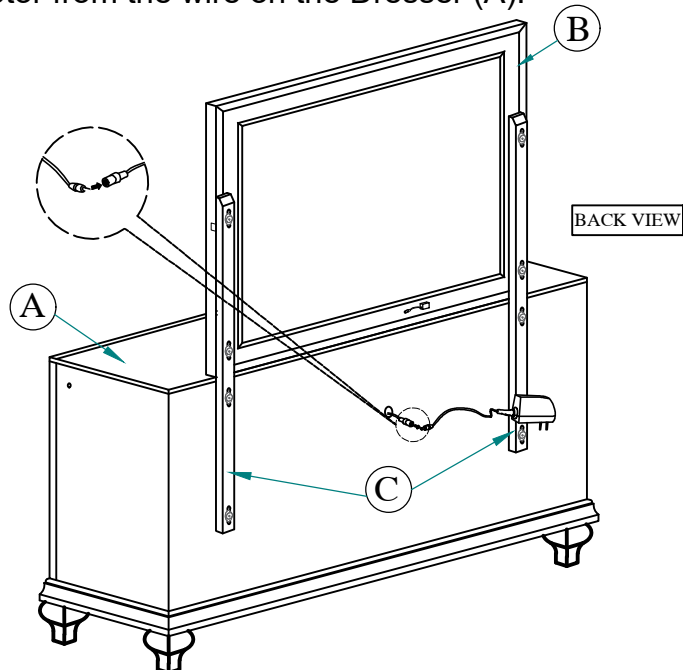
B1583-060 STARDUST MIRROR

PLACE WOOD PARTS ON A  
CLEAN NON-ABRASIVE SURFACE

**Step 2:** Assemble the Mirror (B) to the Mirror Support (C) by using Allen Key (1) and the hardware Bolt (2), Spring Washer (3), and Flat Washer (4).



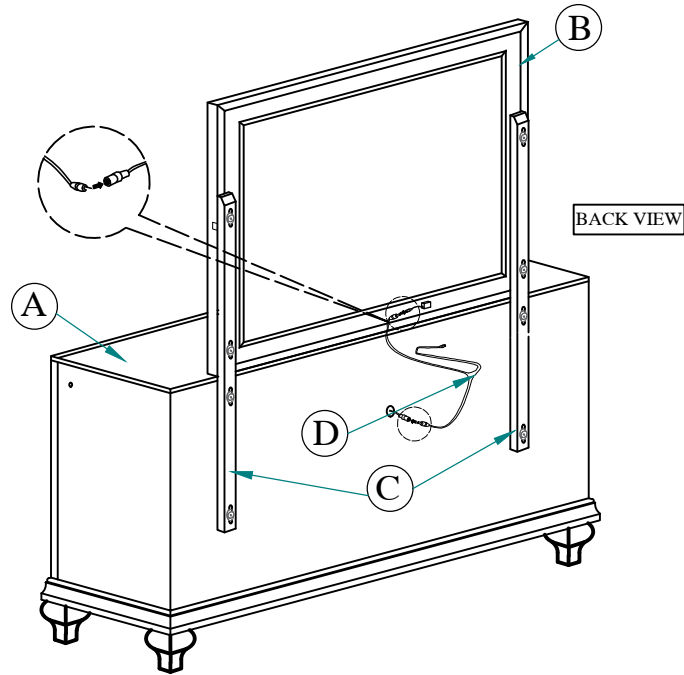
**Step 3:** Disconnect the AC/DC Adaptor from the wire on the Dresser (A).





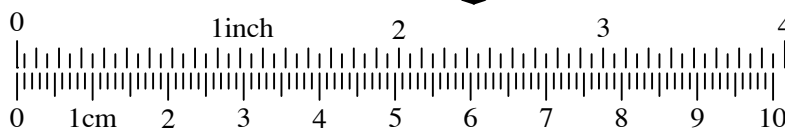
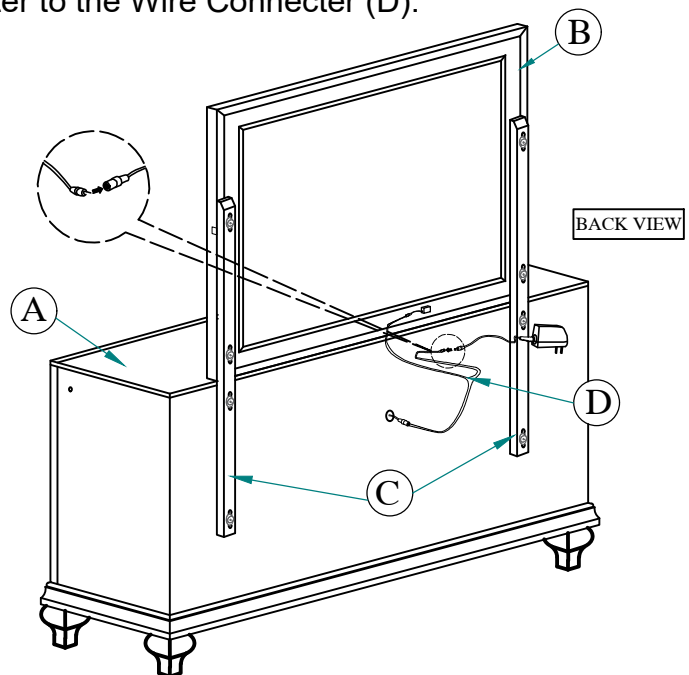
PLACE WOOD PARTS ON A  
CLEAN NON-ABRASIVE SURFACE

**Step 4:** Connect the Wire Connector (D) to the wires on the back of Mirror (B) and Dresser (A).



PLACE WOOD PARTS ON A  
CLEAN NON-ABRASIVE SURFACE

**Step 5:** Re-Connect the AC/DC Adapter to the Wire Connector (D).





New  
Classic®  
FURNITURE

## ASSEMBLY INSTRUCTION

B1583-050 STARDUST DRESSER

B1583-060 STARDUST MIRROR

PLACE WOOD PARTS ON A  
CLEAN NON-ABRASIVE SURFACE

