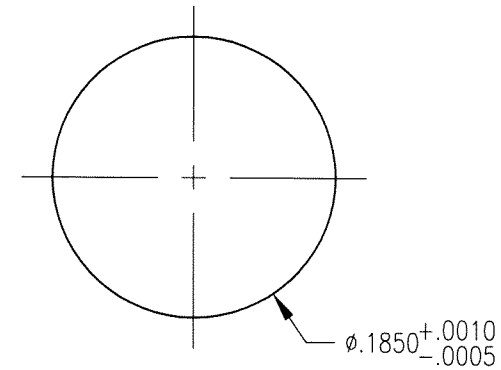
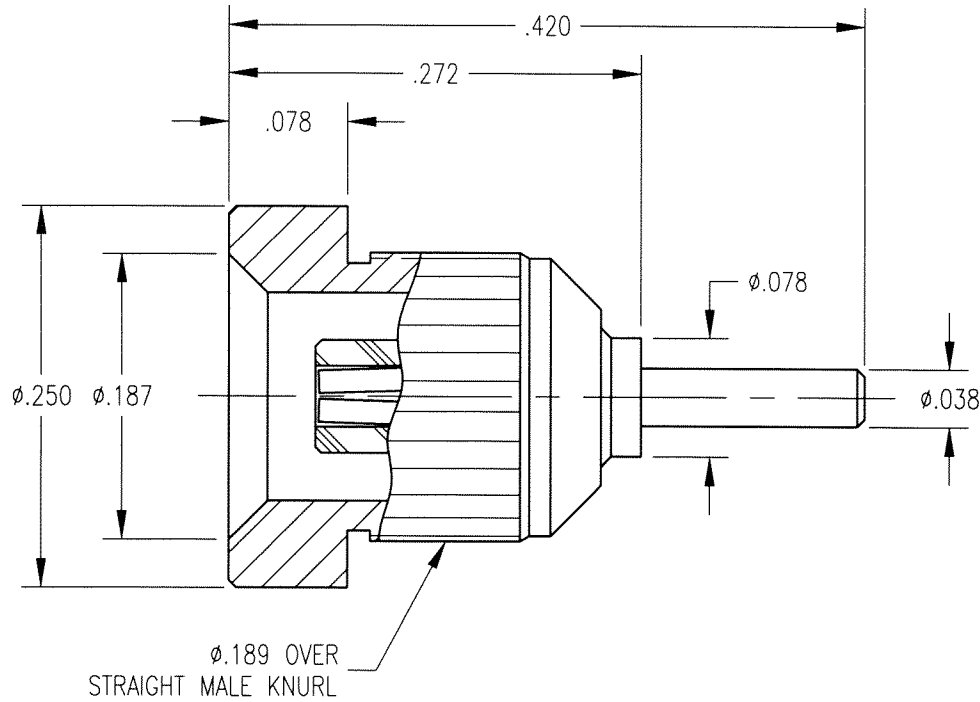



DWG. NO.		451-000-0041J	
REV	DESCRIPTION	BY DATE	APP'D
D	ECR 6888	JWH 6/12/01	<i>[Signature]</i>



RECOMMENDED MOUNTING HOLE LAYOUT

NOTES:

1. MATERIALS:
 BODY: BRASS PER ASTM B16
 INSULATOR: TEFLON PER ASTM D1710
 CENTER CONTACT: BERYLLIUM COPPER PER ASTM B196
2. FINISH:
 BODY: .000015 MIN. GOLD PER MIL-G-45204
 OVER COPPER FLASH
 CENTER CONTACT: .000030 MIN. GOLD PER MIL-G-45204
 OVER COPPER FLASH

PER ASME Y14.5M-1994 UNLESS OTHERWISE SPECIFIED: DIMENSIONS ARE IN INCHES (MM)				Litton Winchester/Retconn 400 Park Road Waterbury, Connecticut 06795	
TOLERANCES: DECIMALS .xx ± .01/0.254 xxx ± .005/0.127 ANGLES ± 2° SCALE: 8:1					
CUSTOMER DRAWING				TITLE	
DRAWN JWH 6/16/00		CHECKED KJT 6/30/00		MCX PRESS FIT RECEPTACLE	
APPROVED JMC 6/30/00		APPROVED JED 6/30/00		A 451-000-0041J SMT. 1 OF 1 REV. D	