



## 2 PK LED FLUSH MOUNT CEILING FIXTURE ASSEMBLY/INSTALLATION INSTRUCTIONS

Please read carefully and save these instructions, as you may need them at a later date.

### CAUTION

**WARNING:** Risk of Fire. Consult a qualified electrician to ensure correct branch circuit conductor.  
Turn off the main power at the circuit breaker before installing the fixture, in order to prevent possible shock.

### GENERAL

All electrical connections must be in accordance with local and National Electrical Code (N.E.C.) standards. If you are unfamiliar with proper electrical wiring connections obtain the services of a qualified electrician.

Remove the fixture and the mounting package from the box and make sure that no parts are missing by referencing the illustrations on the installation instructions.

### ASSEMBLY AND INSTALLATION

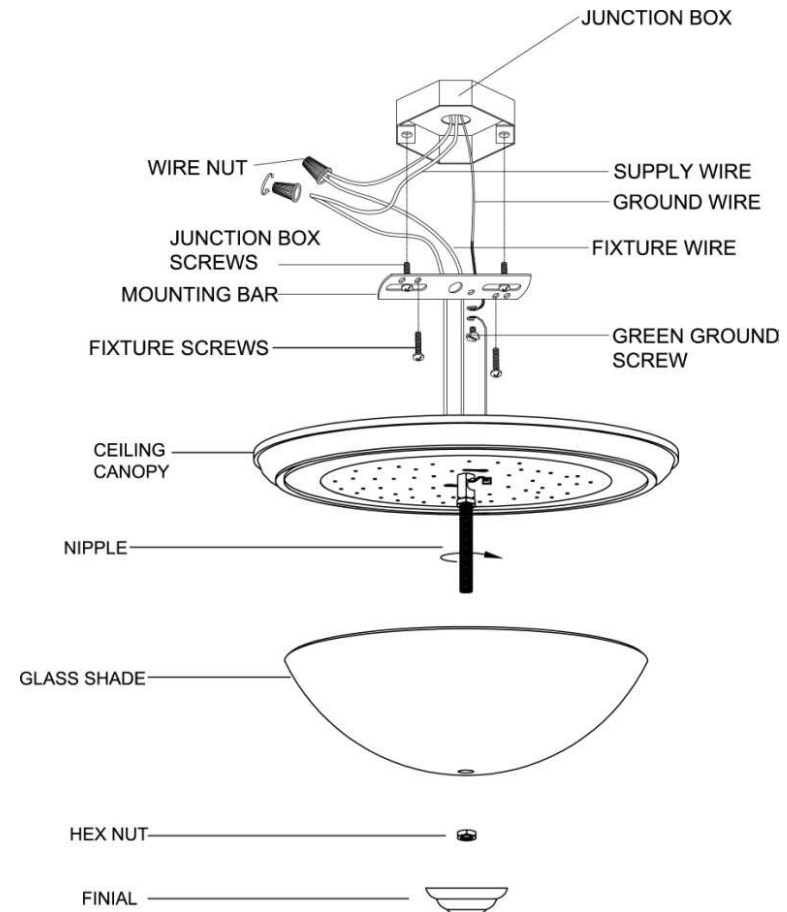
**Turn off the power at fuse or circuit breaker.**

- Before installing, preset the NIPPLE length:
  - Thread the HEX NUT onto the NIPPLE, and screw the NIPPLE into the COUPLING on the CEILING CANOPY a minimum of four turns.
  - Place the center holes of the GLASS SHADE over the NIPPLE and adjust the NIPPLE so that it protrudes out of the HEX NUT 1/2". Remove the GLASS SHADE & HEX NUT and secure the NIPPLE in place by tightening the HEX NUT.
- Pull the SUPPLY WIRES and the SUPPLY GROUND WIRE out from the JUNCTION BOX and attach the MOUNTING BAR to the JUNCTION BOX using the keyhole slots on the MOUNTING BAR and the JUNCTION BOX SCREWS.
- Thread the FIXTURE SCREWS two full turns into the appropriate threaded holes in the MOUNTING BAR. (Check the MOUNTING BAR against the fixture KEYHOLE SLOTS to ensure proper fit.)
- Make the wiring connection: Connect the FIXTURE GROUND WIRE to the SUPPLY GROUND WIRE with a WIRE NUT, Proceed to attach both to the MOUNTING BAR with the GREEN GROUND SCREW. Connect the BLACK SUPPLY WIRE to the BLACK FIXTURE WIRE and WHITE SUPPLY WIRE to the WHITE FIXTURE WIRE with WIRE NUTS.

### ASSEMBLY AND INSTALLATION (CONT.)

- Carefully tuck all wiring back into the JUNCTION BOX. Locate the CEILING CANOPY over the JUNCTION BOX, positioning the FIXTURE SCREWS heads through the large openings of the KEYHOLE SLOTS. Rotate the CEILING CANOPY until the FIXTURE SCREW heads are seated at the small ends of the KEYHOLE SLOTS, and secure both FIXTURE SCREWS with a screwdriver.
- Place the center hole of the GLASS SHADE over the NIPPLE and secure it with the HEX NUT and FINIAL.

**Turn on the power at fuse or circuit breaker.**



**IF IN DOUBT ABOUT ELECTRICAL INSTALLATION,  
CONSULT A LICENSED ELECTRICIAN.**

*Customer Service:  
1-800-558-8700*