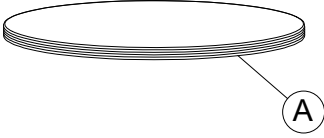


# LIYANA DINING TABLE ASSEMBLY INSTRUCTIONS

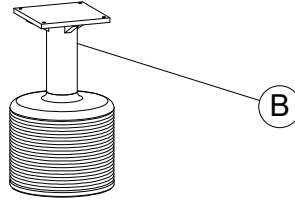


## PARTS PACKING CONFIGURATIONS

BOX # 1  
A. TABLE TOP 1PC



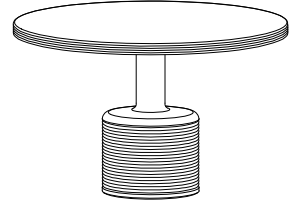
BOX # 2  
B. BASE 1PC



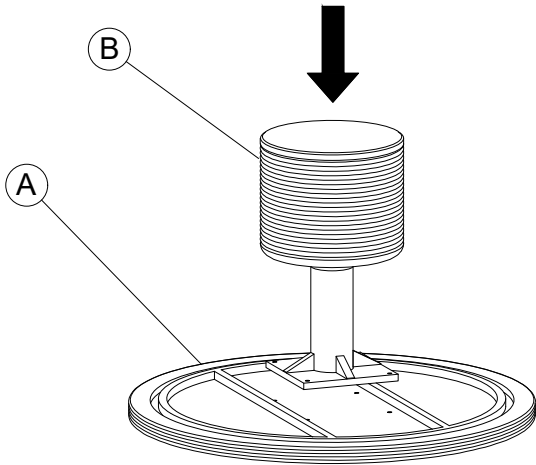
### HARDWARE KIT PACKED IN BOX # 2

NO.	DESCRIPTION	IMAGE	Q'TY
1	ALLEN BOLT (8X40mm)		4 PCS
2	FLAT WASHER (8X25mm)		4 PCS
3	ALLEN KEY (5mm)		1 PC

### FULLY ASSEMBLED

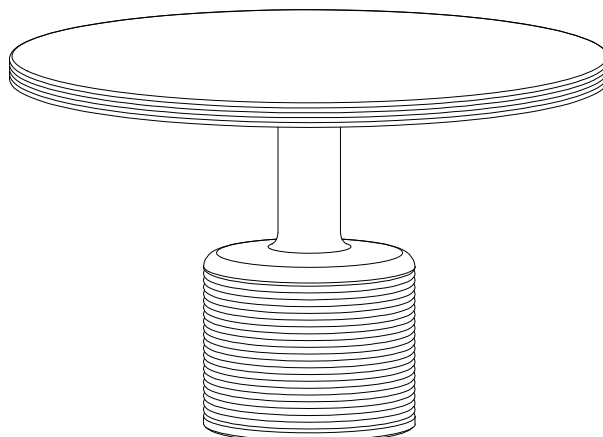
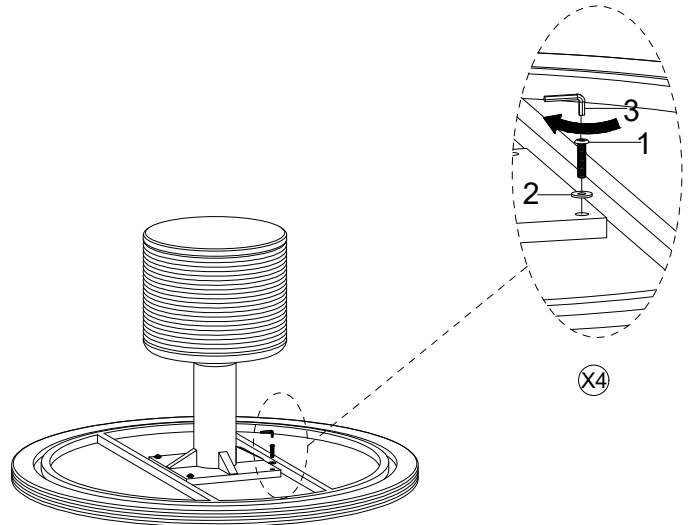


#### STEP 1:



#### STEP 2:

#1 (4)	#2 (4)	#3 (1)



ASSEMBLY COMPLETE