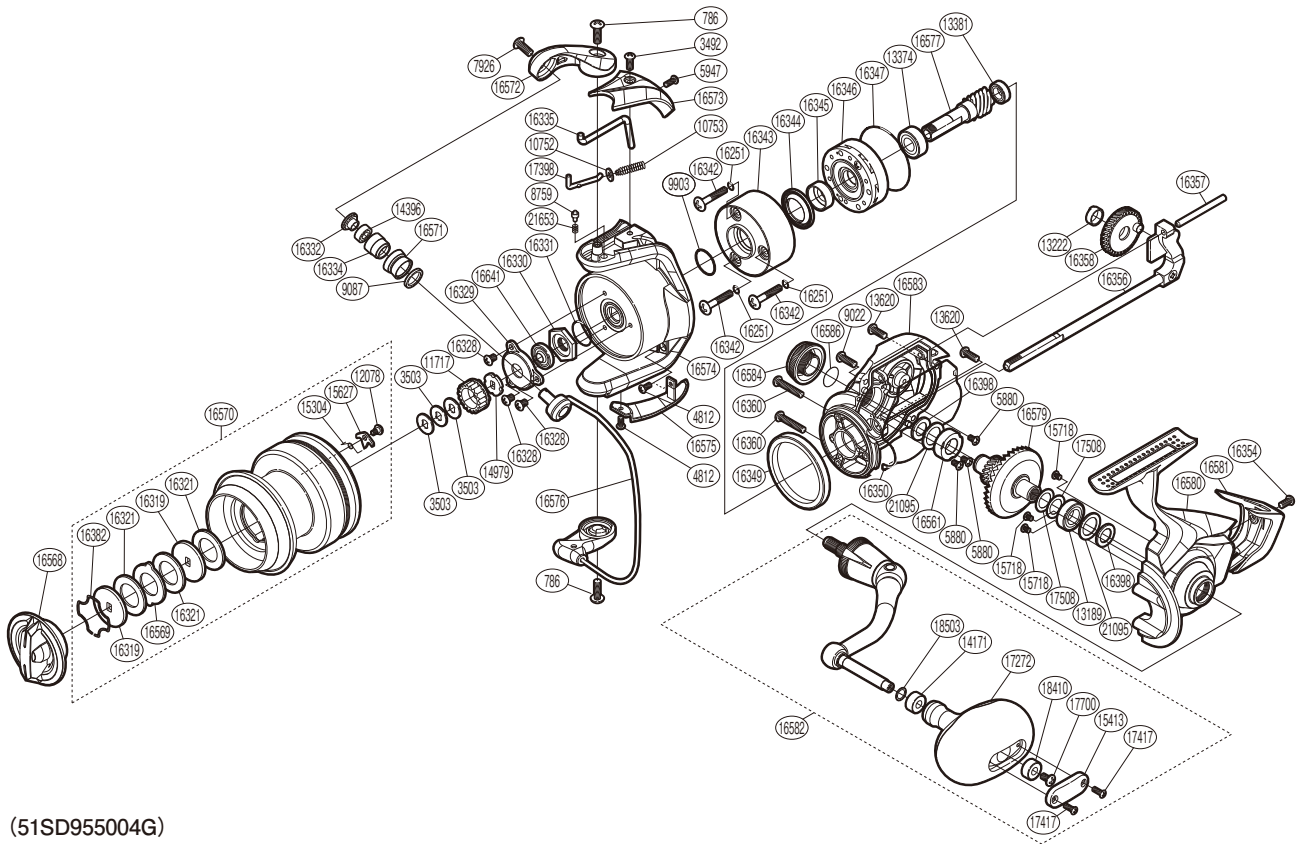


SHIMANO

SPHEROS

14SP5000SW



(51SD955004G)

#	Part No.	Description	#	Part No.	Description	#	Part No.	Description
786	103J1	Screw	16251	108WW	O Ring	16569	102ZB	Eared Washer
3492	103DC	Screw	16319	10BC8	Key Washer	16570	10838	Spool Assembly
3503	10BXC	Spool Washer	16321	10347	Drag Washer	16571	10KY0	Line Roller
4812	103N8	Screw	16328	10LSM	Screw	16572	10KLN	Bail Arm
5880	10MT3	Screw	16329	10K32	Nut Lock Plate	16573	1087Z	Bail Spring Cover
5947	103NH	Screw	16330	10811	Rotor Nut	16574	10PY8	Rotor
7926	103HN	Screw	16331	10EZA	O Ring	16575	10MNC	Bail Hold Support Guard
8759	106UX	Click Pin	16332	107X4	Line Roller Washer	16576	1073M	Bail Assembly
9022	10LZJ	Screw	16334	107RN	Line Roller Bushing	16577	10C24	Pinion Gear
9087	10KFE	Line Roller Spacer	16335	106KM	Bail Trip Lever	16579	10ELD	Drive Gear
9903	108WA	O Ring	16342	10A6S	Screw	16580	104D6	Side Cover
10752	10TYE	Spring Guide A Support	16343	10MH9	Roller Clutch Water Proof Cover	16581	10NKS	Rear Protector
10753	10FVD	Bail Spring	16344	10MH1	Roller Clutch Water Proof	16582	10NAW	Handle Assembly
11717	10Q03	Spool Support A	16345	10K7R	Rotor Ring	16583	10B8Y	Body
12078	10PH4	Screw	16346	10QPE	Roller Clutch Assembly	16584	10N49	Handle Screw Cap
13189	104PT	Ball Bearing	16347	10H4F	Roller Clutch Cover Seal	16586	10TZX	O Ring
13222	10JYG	Oscillating Gear Bushing	16349	104G7	Friction Ring	16641	107F7	Bearing Water Proof
13374	104Q5	Ball Bearing	16350	10CDA	Body Seal	17272	10QZQ	Handle Knob Assembly
13381	104JT	Ball Bearing	16354	103CJ	Screw	17398	105LU	Bail Spring Guide A
13620	10L6D	Screw	16356	10NF5	Main Shaft Assembly	17417	10L1T	Screw
14171	104UJ	Handle Knob Bushing	16357	1035G	Oscillating Guide	17508	10HHV	Washer
14396	104VQ	Ball Bearing	16358	10G9P	Oscillating Gear	17700	10LFA	Screw
14979	10J03	Spool Support B	16360	10LZ7	Screw	18410	10EU0	Handle Knob Bushing A
15304	10JM4	Drag Click Spring	16382	10B8P	Drag Washers Retainer	18503	101BD	Washer
15413	108SQ	Handle Knob I.D. Plate	16398	10CD1	Bearing Water Proof	21095	10BGF	Washer
15627	1038E	Drag Click	16561	10J6P	Drive Gear Bushing	21653	10HEL	Click Spring
15718	1055G	Screw	16568	102EC	Drag Knob			

Please note that the number of adjusting washers may not be the same as shown in the exploded views.
(Adjustment will vary with each individual product.)

(241030)_007