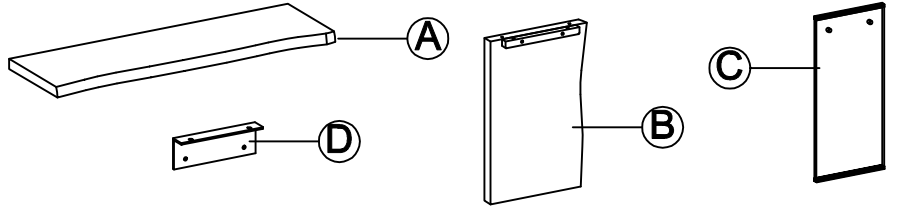


ONE COLL. CONSOLE TABLE ASSEMBLY INSTRUCTIONS



PARTS PACKING CONFIGURATIONS

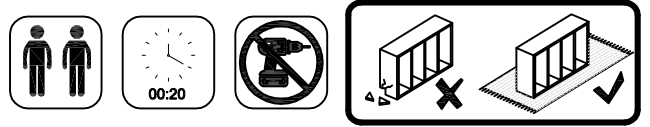
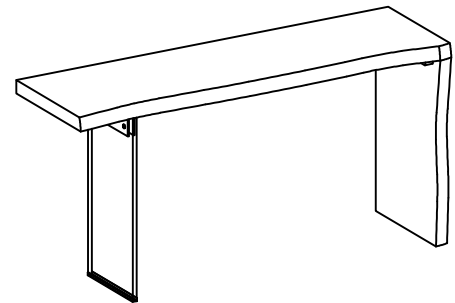
- A.TOP 1PC
- B.WOOD SIDE PANEL 1PC
- C.GLASS SIDE PANEL 1PC
- D.L-BRACKET 2PCS



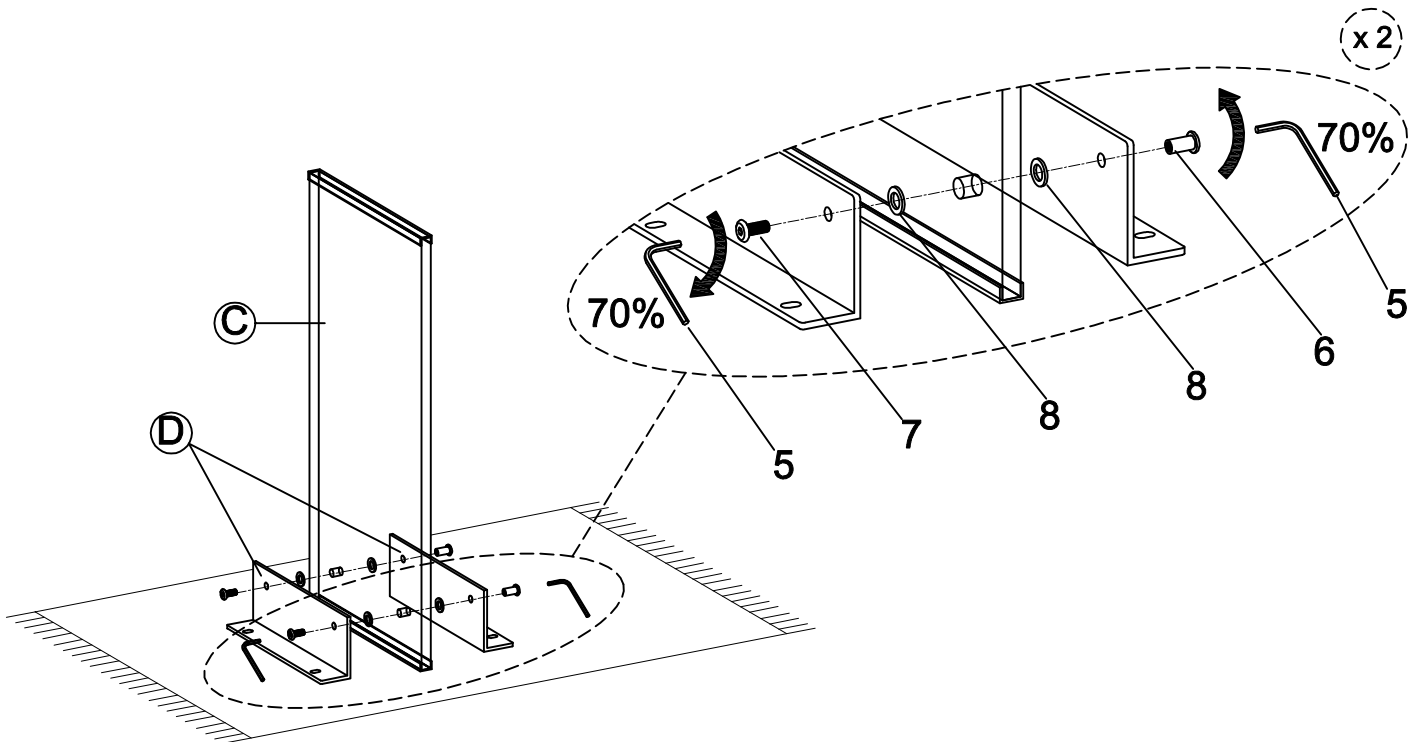
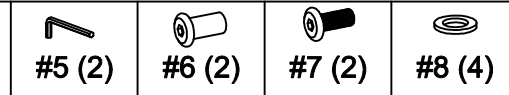
HARDWARE KIT PACKED IN BOX

NO.	DESCRIPTION	IMAGE	Q'TY
1	ALLEN BOLT (5/16"x1-1/2")		2 PCS
2	ALLEN BOLT (5/16"x1")		4 PCS
3	LOCK WASHER (5/16")		6 PCS
4	FLAT WASHER (5/16")		6 PCS
5	ALLEN KEY (5mm)		2 PCS
6	CONNECTOR CAP		2 PCS
7	CONNECTOR BOLT (M8x15mm)		2 PCS
8	PLASTIC WASHER (25x2mm)		4 PCS
9	WOOD DOWEL(8x30mm)		2 PCS

FULLY ASSEMBLED



Step 1:

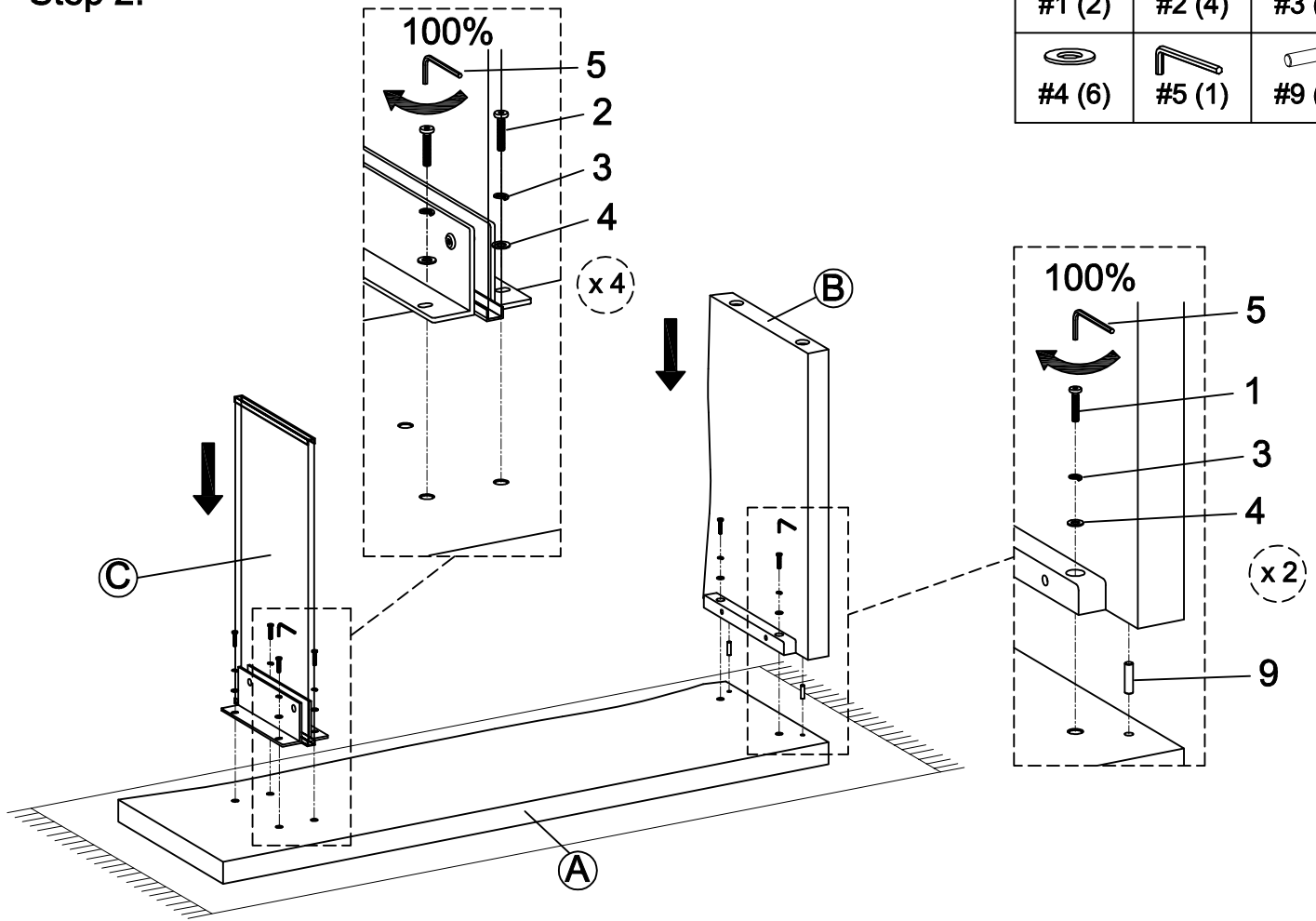


ONE COLL. CONSOLE TABLE ASSEMBLY INSTRUCTIONS



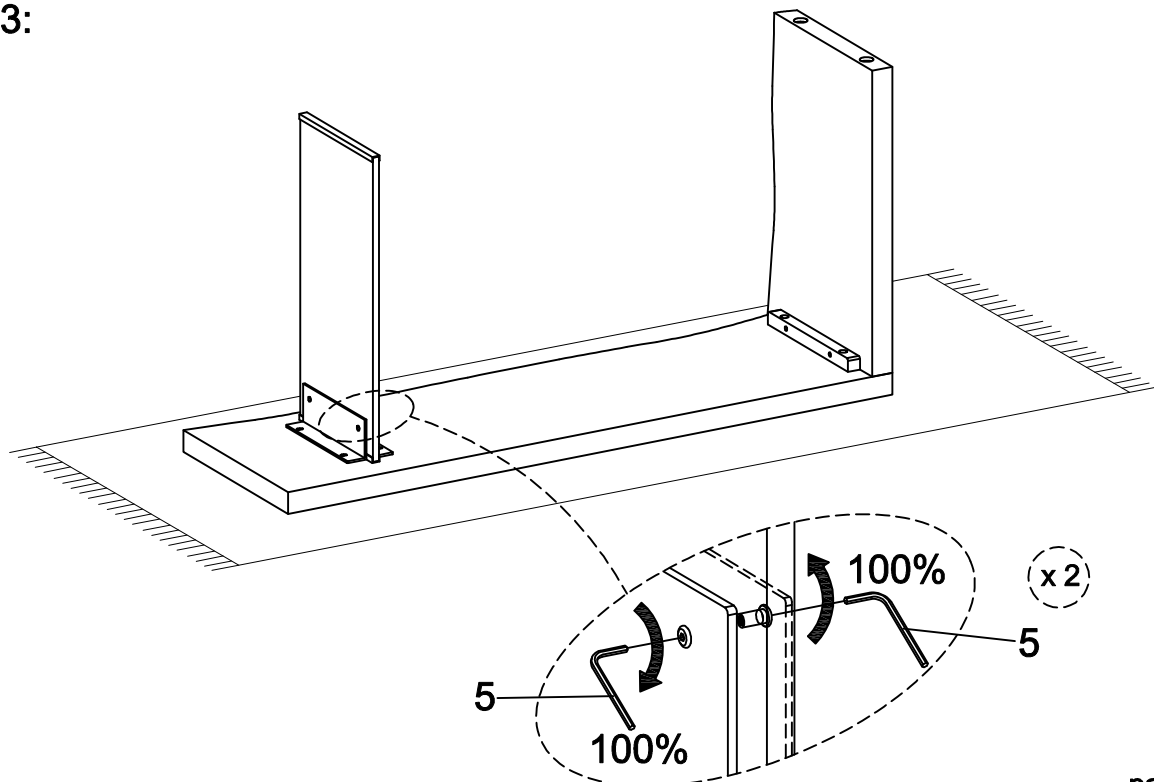
Step 2:

#1 (2)	#2 (4)	#3 (6)
#4 (6)	#5 (1)	#9 (2)



Step 3:

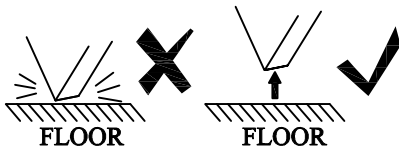
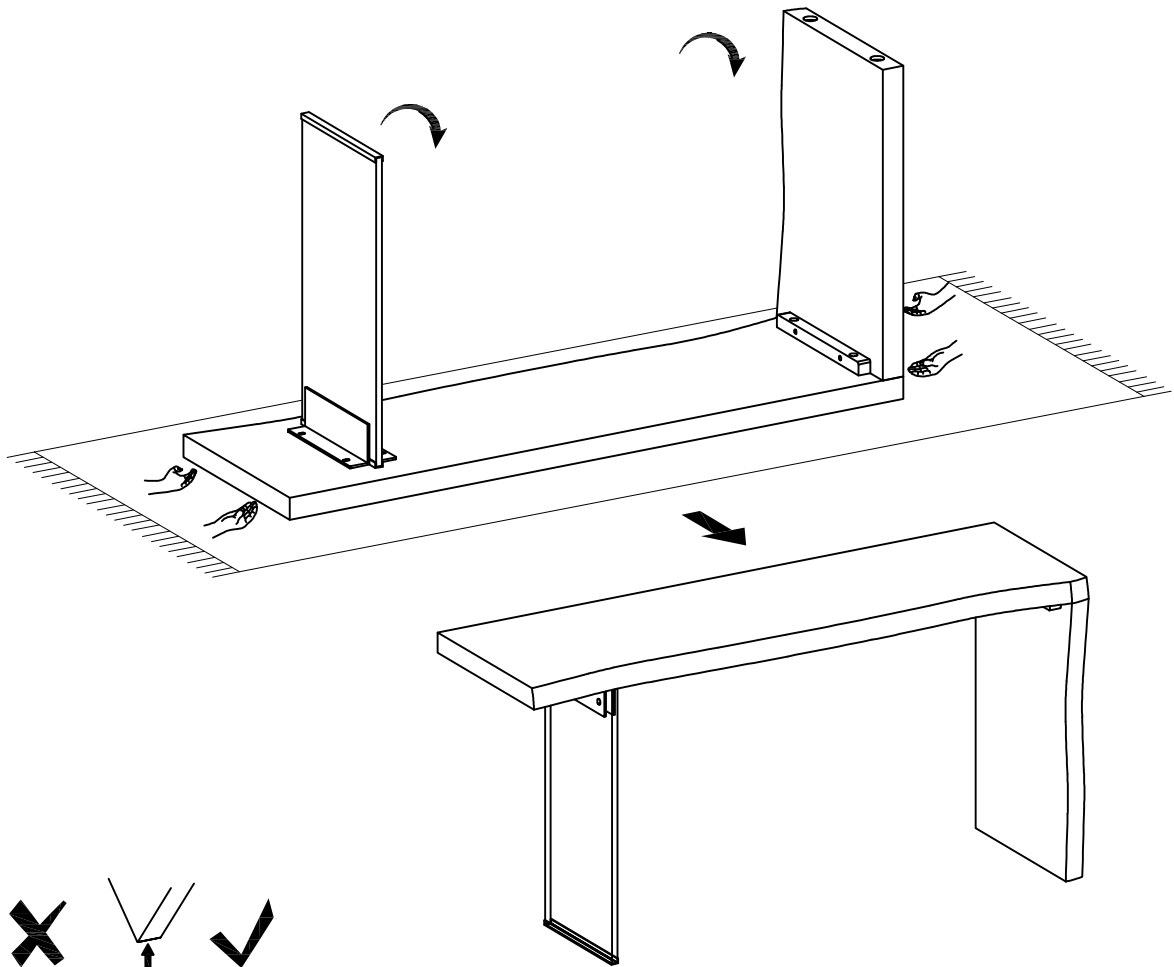
#5 (2)



ONE COLL. CONSOLE TABLE ASSEMBLY INSTRUCTIONS



Step 4:



ASSEMBLY COMPLETE

