

Assembly Guide

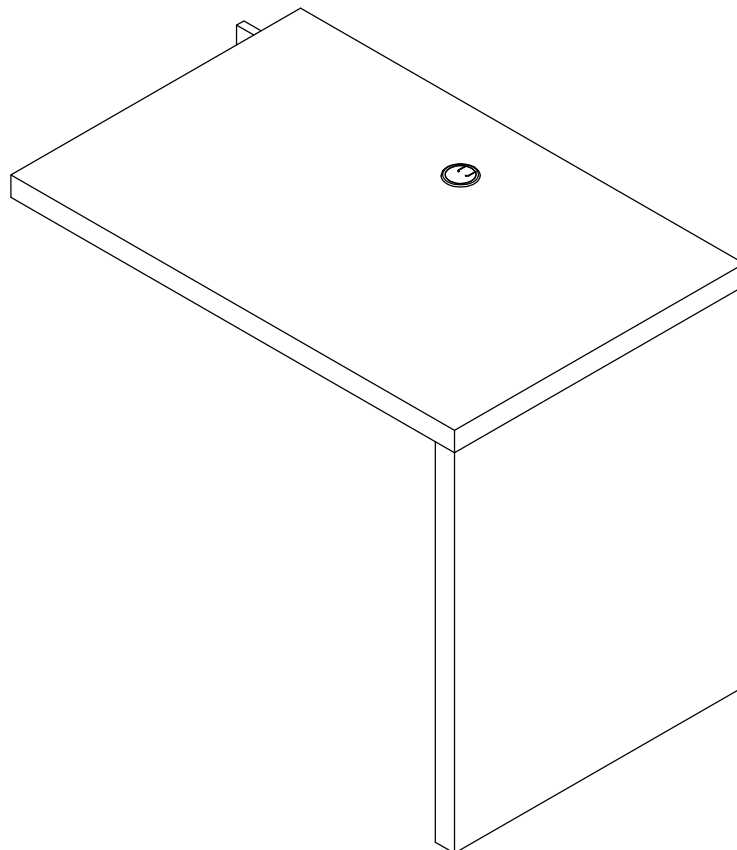


If you're having any difficulty during assembly of this product, don't hesitate to call us at **1-800-950-4782.**

Our customer service experts are trained to provide step-by-step instruction and can easily replace any missing or damaged parts.

Representatives are available Monday-Friday from 8:30 a.m. to 7:30 p.m. (ET)

36W Return



Lot Code #

Part Number A185737H

Keep manual for future reference.



BUSH BUSINESS FURNITURE

Thank you for purchasing this Bush Business Furniture product. We trust that you will be completely satisfied with your product for many years to come. Bush Business Furniture products are backed by a 3-year warranty and crafted with today's styles in mind for the way you work. **Do not return product to store — contact us first at 1-800-950-4782.**

Merci d'avoir acheté ce produit Bush Business Furniture. Nous sommes sûr que vous serez complètement satisfait de votre meuble pendant de nombreuses années. Les produits Bush Business Furniture sont garantis pendant 3 ans et sont conçus dans les styles actuels tout en gardant à l'esprit votre façon de travailler. **Ne renvoyez pas le produit au magasin, contactez-nous d'abord au 1-800-950-4782.**

Gracias por comprar este producto de Bush Business Furniture. Confiamos que usted estará completamente satisfecho con su mueble por muchos años. Los productos de Bush Business Furniture tienen 3 años de garantía y son diseñados con los estilos de hoy en mente para la manera que usted vive. **No devuelva el producto a la tienda, primero comuníquese con nosotros al 1-800-950-4782.**

CONTACT US

Monday – Friday
8:30 a.m. – 7:30 p.m. ET
(Except Holidays)

Bush Consumer Services
One Mason Drive, P.O. Box 460
Jamestown, NY 14701
ConsumerService@Bushindustries.com

1-800-950-4782 USA/CANADA
001-800-950-4782 MEXICO

Se habla español
Outside USA/CANADA/MEXICO
001-716-665-2510 Ext. 4514

IT'S AS EASY AS 1,2,3

Assembly tips:

1. Read the instructions and become familiar with the parts.
2. Ensure this carton contains all parts, fasteners and hardware.
3. To protect floors, assemble the furniture on the carton.
4. An assistant may be helpful.
5. Use of power tools is not recommended.

Conseils d'assemblage:

1. Lisez les instructions et familiarisez-vous avec les pièces.
2. Assurez-vous que le carton contient toutes les pièces, toutes les pièces de fixation et toute la quincaillerie.
3. Pour protéger vos sols, assemblez le meuble sur le carton.
4. Il peut être utile de vous faire aider.
5. L'utilisation d'outils électriques n'est pas recommandée.

Consejos de Ensamblaje:

1. Lea las instrucciones y familiarícese con las partes.
2. Asegúrese de que esta caja contenga todas las piezas, los sujetadores y el equipo.
3. Para proteger el piso, ensamble el mueble en el carton.
4. Un asistente puede serle útil.
5. El uso de herramientas eléctricas no se recomienda.



CONSUMER SERVICE

YOU CAN DEPEND ON

Questions? Operators are standing by at our TOLL-FREE help line to assist you with assembly; and, if necessary, to quickly replace damaged/missing parts. Assistance is available 5 days a week. Simply have your store receipt, instruction manual, and part number/description ready when you call our TOLL-FREE help line. It's that easy.

UN SERVICE CLIENTELE SUR LEQUEL VOUS POUVEZ COMPTER

Des questions? Des opérateurs sont prêts sur notre ligne d'assistance GRATUITE pour vous aider à l'assemblage et, si nécessaire, remplacer rapidement les pièces endommagées/manquantes. L'assistance est disponible 5 jours par semaine. Ayez simplement votre reçu de magasin, votre manuel d'instruction et le numéro de pièces/description à votre disposition lorsque vous appelez notre ligne d'assistance GRATUITE. C'est aussi simple que ça.

SERVICIO AL CONSUMIDOR CON EL QUE PUEDE CONTAR

¿Preguntas? Los operadores están listos para ayudarlo con el ensamblaje a través de una línea de ayuda GRATUITA, y en caso de ser necesario, reemplazar de inmediato las piezas dañadas o faltantes. La asistencia está disponible los 5 días de la semana. Solamente tenga listos su recibo de compra, manual de indicaciones y número/descripción de la pieza al momento de llamarnos a la línea de ayuda GRATUITA. Es así de sencillo.

www.bushfurniture.com

For best results, keep these tips in mind:

- ① We know you want to finish this assembly as quickly as possible, but trust us: you'll have a better experience if you take it one step at a time.
- ② Give yourself some room to work near where you want the fully assembled product.
- ③ If your floor isn't carpeted, assemble this product on the empty carton to avoid scratching.
- ④ Do you have a friend who owes you a favor? Some steps may go a little easier with a second set of hands.

DOs

- ✔ Use a #2 Phillips head screwdriver (or other handheld tools as indicated)
- ✔ Wear safety glasses at all times during assembly
- ✔ Carefully follow the instructions in this guide and complete all steps in order
- ✔ Give us a call if you're having trouble with a particularly tricky step

DON'Ts

- ✘ We know power tools are quick and easy, but you shouldn't use them when assembling this product (unless otherwise specified)
- ✘ Never move your furniture with items inside or resting on the surface
- ✘ Do not attempt to use this product before all steps have been completed

**Watch assembly videos right on your phone or computer!**

Some steps include QR codes that link to helpful videos. Watch out for the icon below! Simply open up your smartphone camera to scan the code.

(Users of older smartphones may need to install a QR Reader.)

SCAN HERE**FOR VIDEOS**

Or visit <https://bushfurniture.com/help-faq/#assembling>

IMPORTANT SAFETY INFORMATION



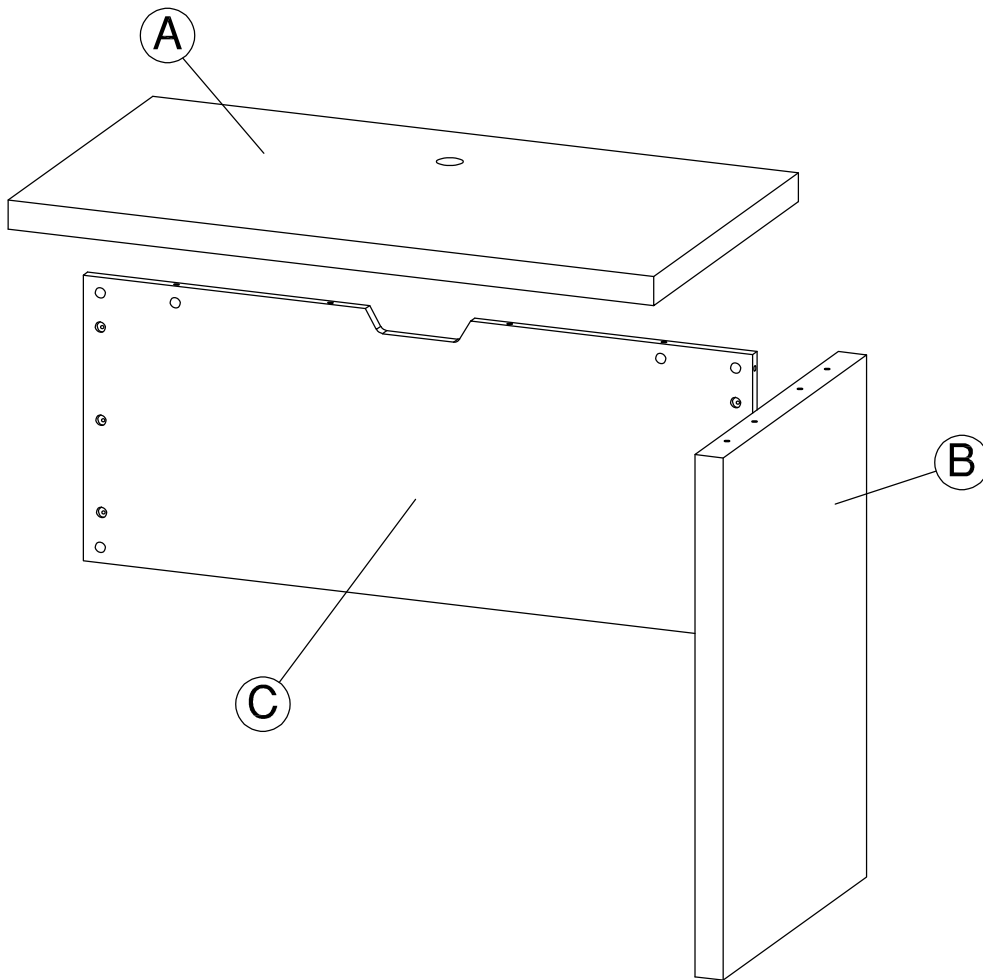
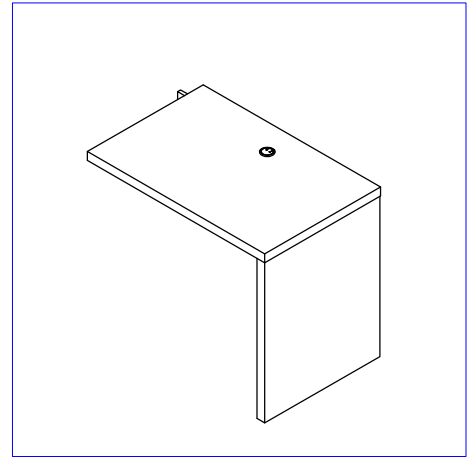
PLEASE READ WARNINGS

Improper use can cause safety hazards, or damage to your furniture and household items.

Warning	Do	Don't	Why it's important
Serious injury may occur.	<ul style="list-style-type: none">Assemble following all instructions using all indicated parts and hardware provided.	<ul style="list-style-type: none">Do not move unit when loaded.Do not load with a television or other heavy equipment.Do not exceed the maximum load limits stated in the instructions.	Improper assembly, use or loading can lead to product instability, tipover, or collapse.

Advertencia	Hacer	No	Por qué es importante
Pueden producirse lesiones graves.	<ul style="list-style-type: none">Realice el montaje siguiendo todas las instrucciones y utilizando todas las piezas indicadas y los herrajes suministrados.	<ul style="list-style-type: none">No mueva la unidad cuando esté cargada.No cargue el mueble con un televisor u otro equipo pesado.No supere los límites máximos de carga indicados en las instrucciones.	El montaje, uso o carga inadecuados pueden provocar inestabilidad, vuelco o colapso del producto.

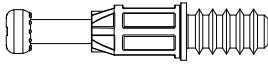
Avertissement	À faire	À ne pas faire	Pourquoi c'est important
Peut entraîner des blessures graves.	<ul style="list-style-type: none">Assembler en suivant toutes les instructions et en utilisant toutes les pièces et la quincaillerie incluses.	<ul style="list-style-type: none">Ne pas déplacer le meuble lorsqu'il est chargé.Ne pas charger le meuble avec un téléviseur ou tout autre équipement lourd.Ne pas dépasser les limites de poids maximales indiquées dans les instructions.	Un assemblage, une utilisation ou un chargement incorrects peuvent entraîner l'instabilité, le basculement ou l'effondrement du produit.



Have an assembly question or need a replacement part? Just call
1-800-950-4782, we are here to help.

Fasteners are shown actual size.

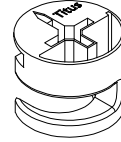
H72988



[6]

KD Bolt

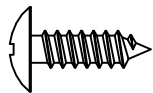
H181468



[6]

KD Cam

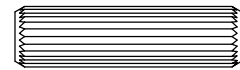
H23119



[16]

#10 x 5/8"

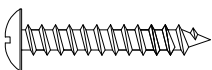
H38169



[6]

Wood Dowel
8 x 30mm

H150019



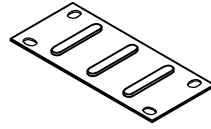
[3]

#8 x 1"

Have an assembly question or need a replacement part? Just call
1-800-950-4782, we are here to help.

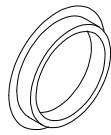
Hardware not to scale.

H39922



[4]

Strap



[10]

Hole Plug



[2]

Cover Cap 8mm



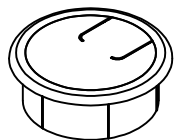
[5]

Cover Cap 5mm



[4]

Cover Cap



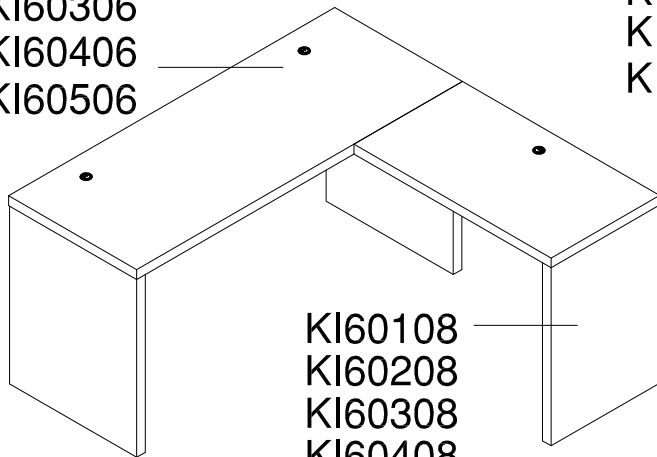
[1]

Grommet

Have an assembly question or need a replacement part? Just call
1-800-950-4782, we are here to help.

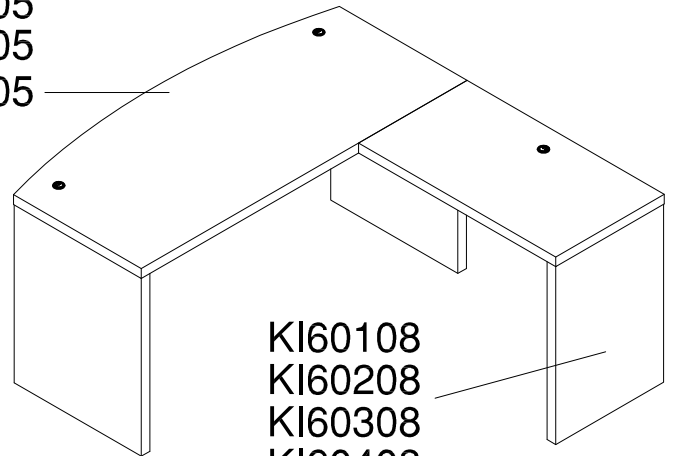
Go to step 3.
Proceda al paso 3.
Allez a l'etape 3.

KI60106
KI60206
KI60306
KI60406
KI60506



KI60108
KI60208
KI60308
KI60408
KI60508

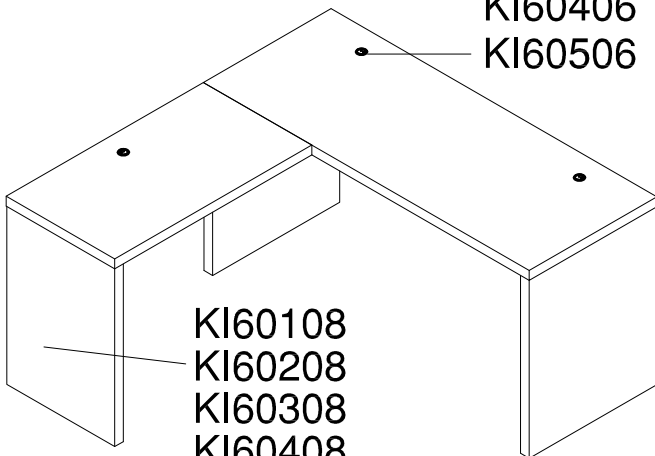
KI60105
KI60205
KI60305
KI60405
KI60505



KI60108
KI60208
KI60308
KI60408
KI60508

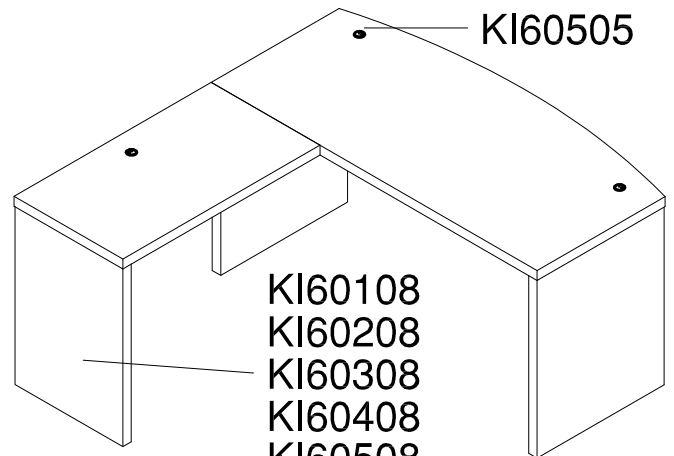
Go to step 11.
Proceda al paso 11.
Allez a l'etape 11.

KI60106
KI60206
KI60306
KI60406
KI60506



KI60108
KI60208
KI60308
KI60408
KI60508

KI60105
KI60205
KI60305
KI60405
KI60505

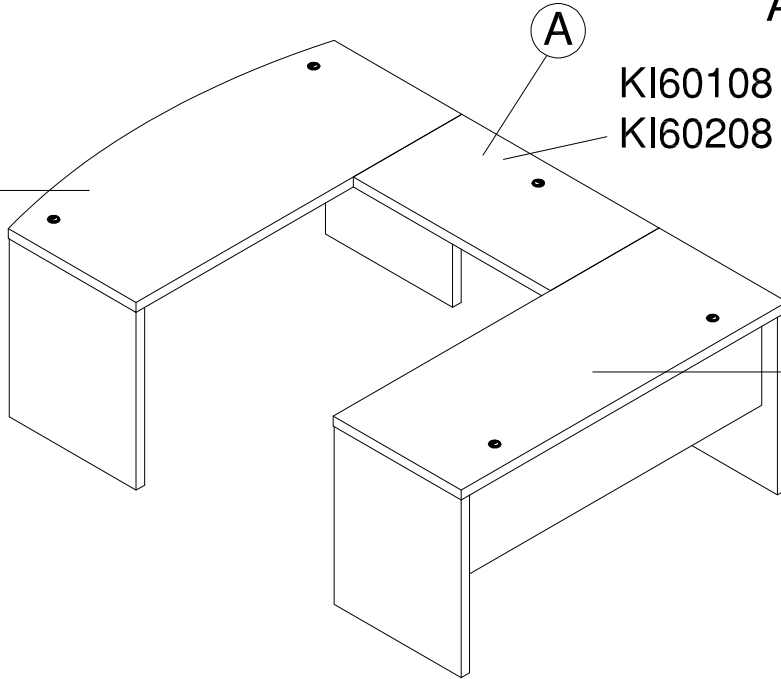


KI60108
KI60208
KI60308
KI60408
KI60508

Have an assembly question or need a replacement part? Just call
1-800-950-4782, we are here to help.

Go to step 19.
 Proceda al paso 19.
 Allez a l'etape 19.

KI60105
 KI60205
 KI60305
 KI60405
 KI60505

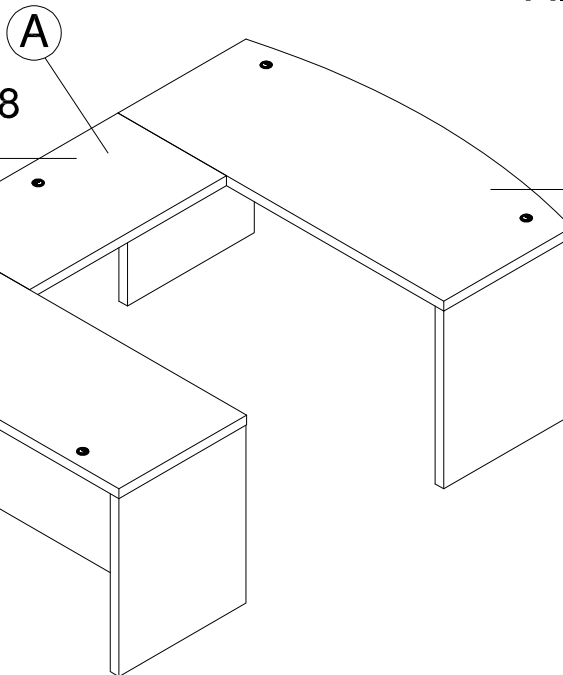


KI60108 KI60308 KI60508
 KI60208 KI60408
 Top Shelf

KI60106
 KI60206
 KI60306
 KI60406
 KI60506

Go to step 21.
 Proceda al paso 21.
 Allez a l'etape 21.

KI60108 KI60308 KI60508
 KI60208 KI60408
 Top Shelf



KI60105
 KI60205
 KI60305
 KI60405
 KI60505

KI60106
 KI60206
 KI60306
 KI60406
 KI60506

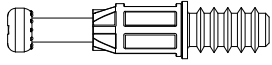
Have an assembly question or need a replacement part? Just call
1-800-950-4782, we are here to help.

STEP 3

Prepare Panel

A185737H

H72988



[2]

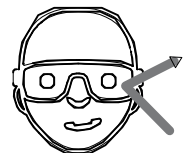
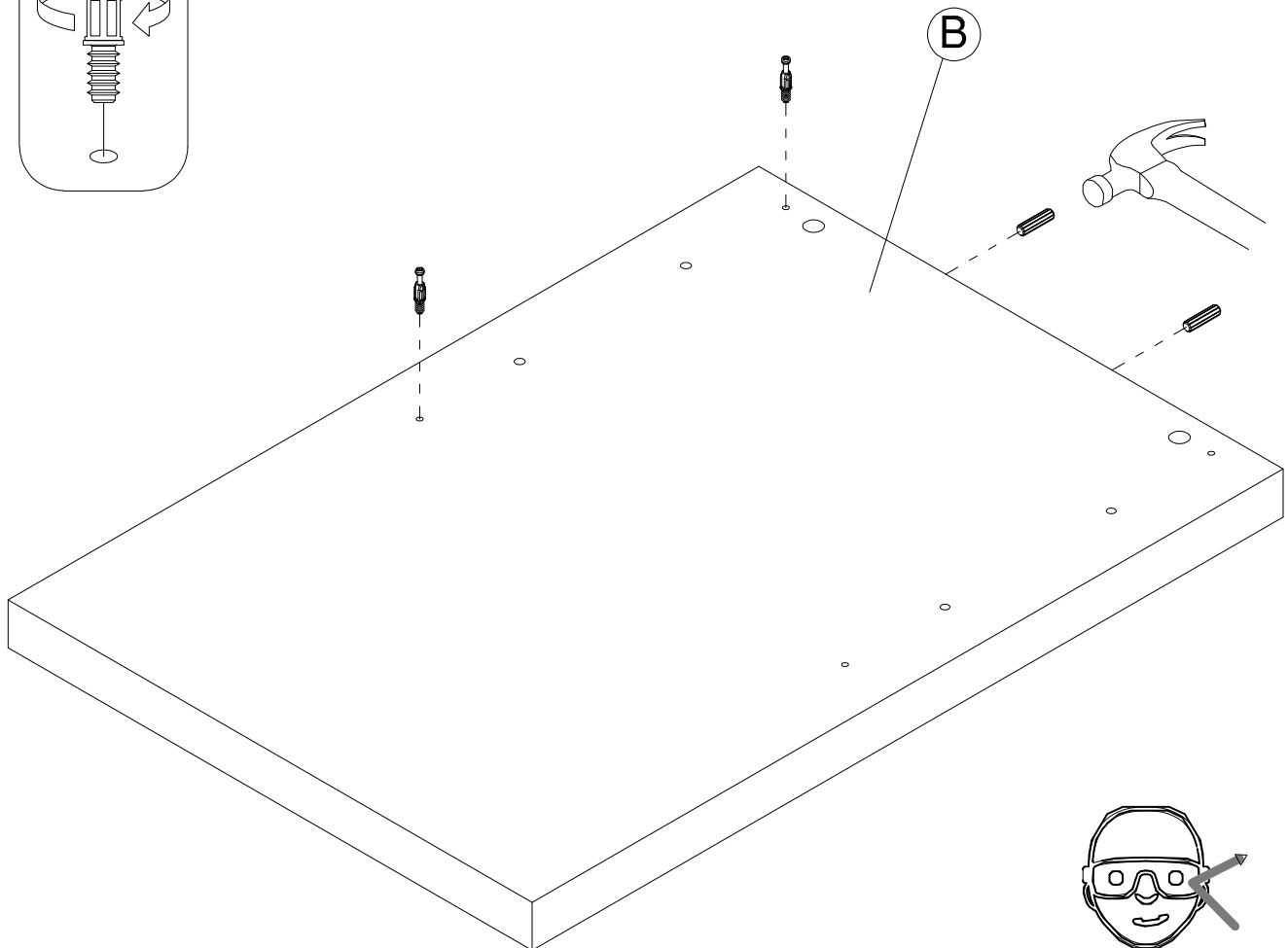
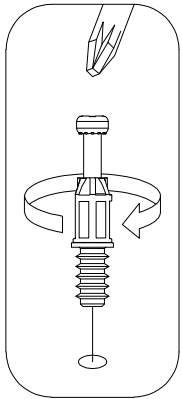
KD Bolt

H38169



[2]

Wood Dowel
8 x 30mm



Safety glasses
Gafas de seguridad
Lunettes de protection

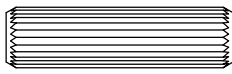
Have an assembly question or need a replacement part? Just call
1-800-950-4782, we are here to help.

STEP 4

Prepare Panel

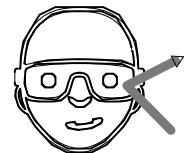
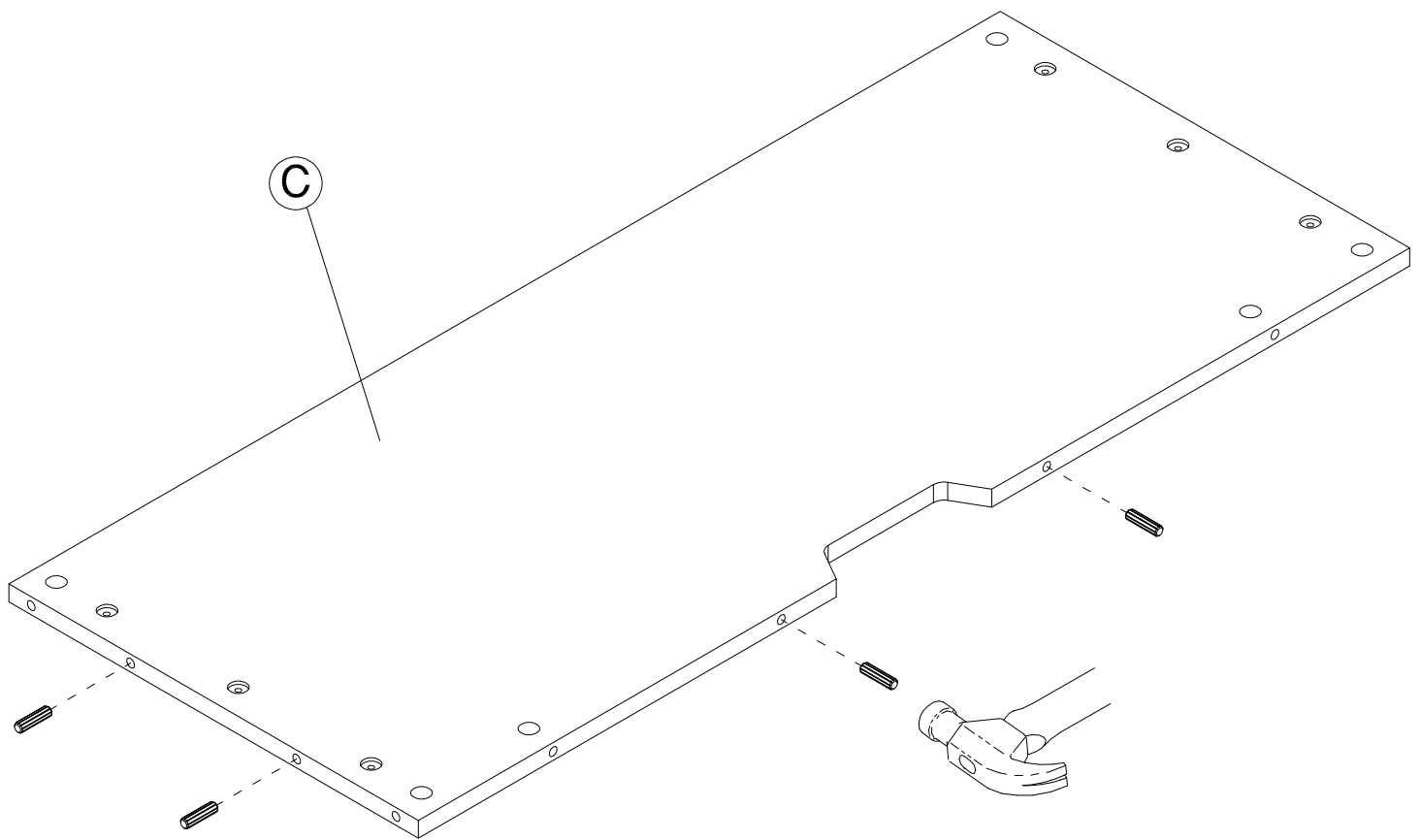
A185737H

H38169



[4]

Wood Dowel
8 x 30mm



Safety glasses
Gafas de seguridad
Lunettes de protection

Have an assembly question or need a replacement part? Just call
1-800-950-4782, we are here to help.

STEP 5

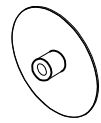
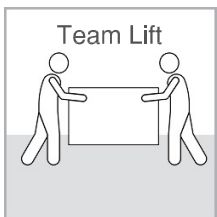
Assemble Panel

A185737H

Scan QR Code to Watch Video on:

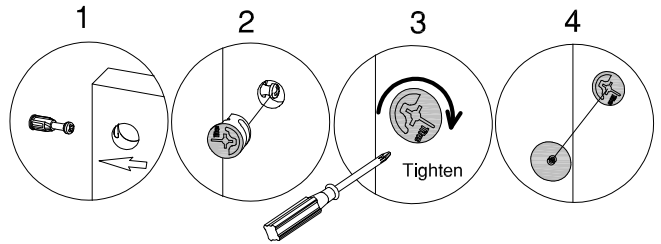


How to Tighten KD Cams

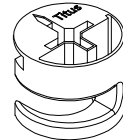


[2]

Cover Cap

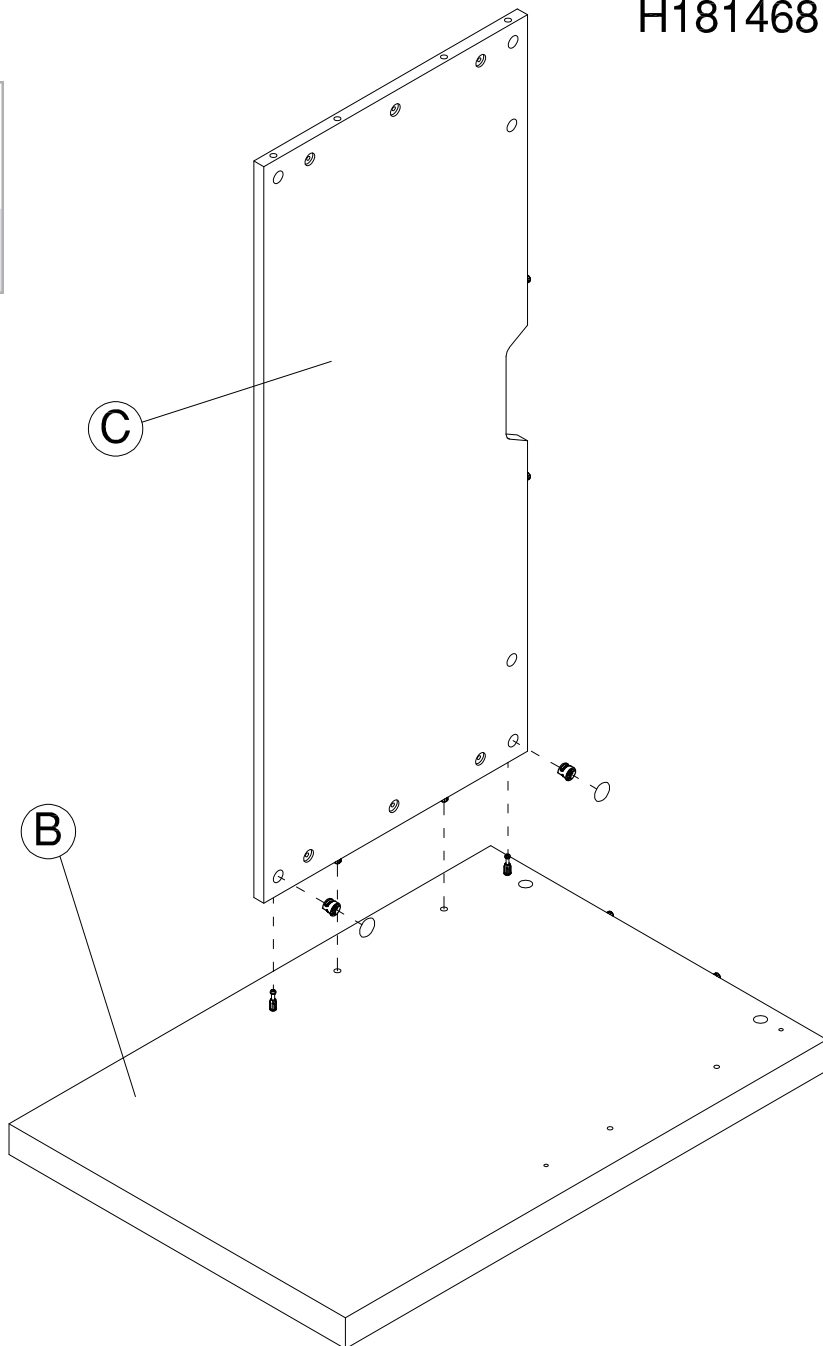


H181468



[2]

KD Cam

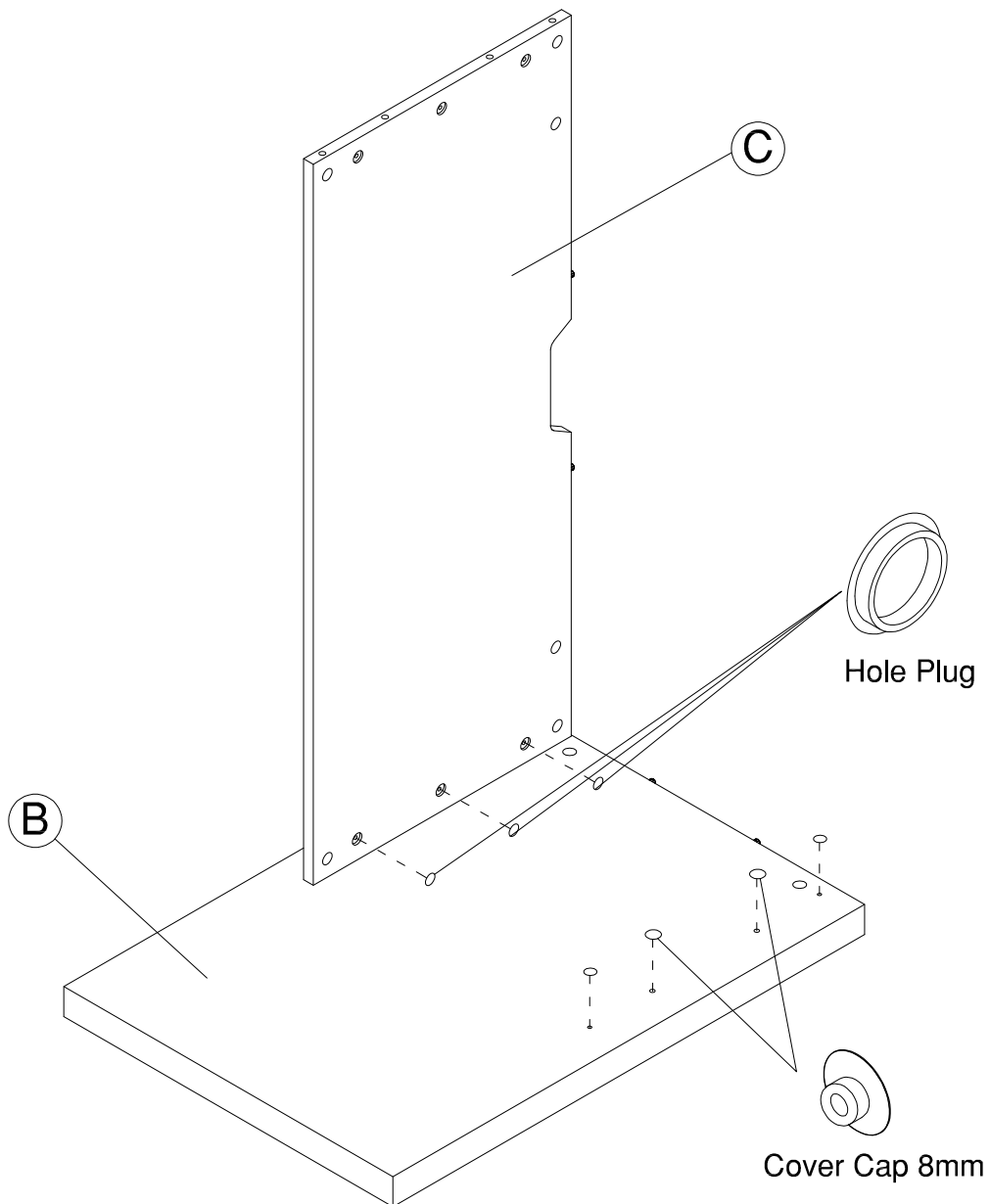
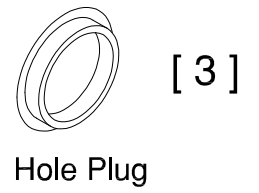
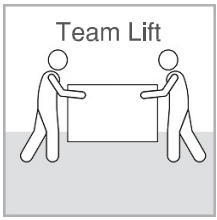


Have an assembly question or need a replacement part? Just call **1-800-950-4782**, we are here to help.

STEP 6

Assemble Panel

A185737H



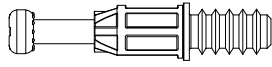
Have an assembly question or need a replacement part? Just call
1-800-950-4782, we are here to help.

STEP 7

Prepare Panel

A185737H

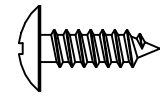
H72988



[4]

KD Bolt

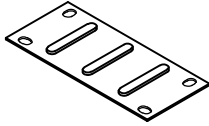
H23119



[4]

#10 x 5/8"

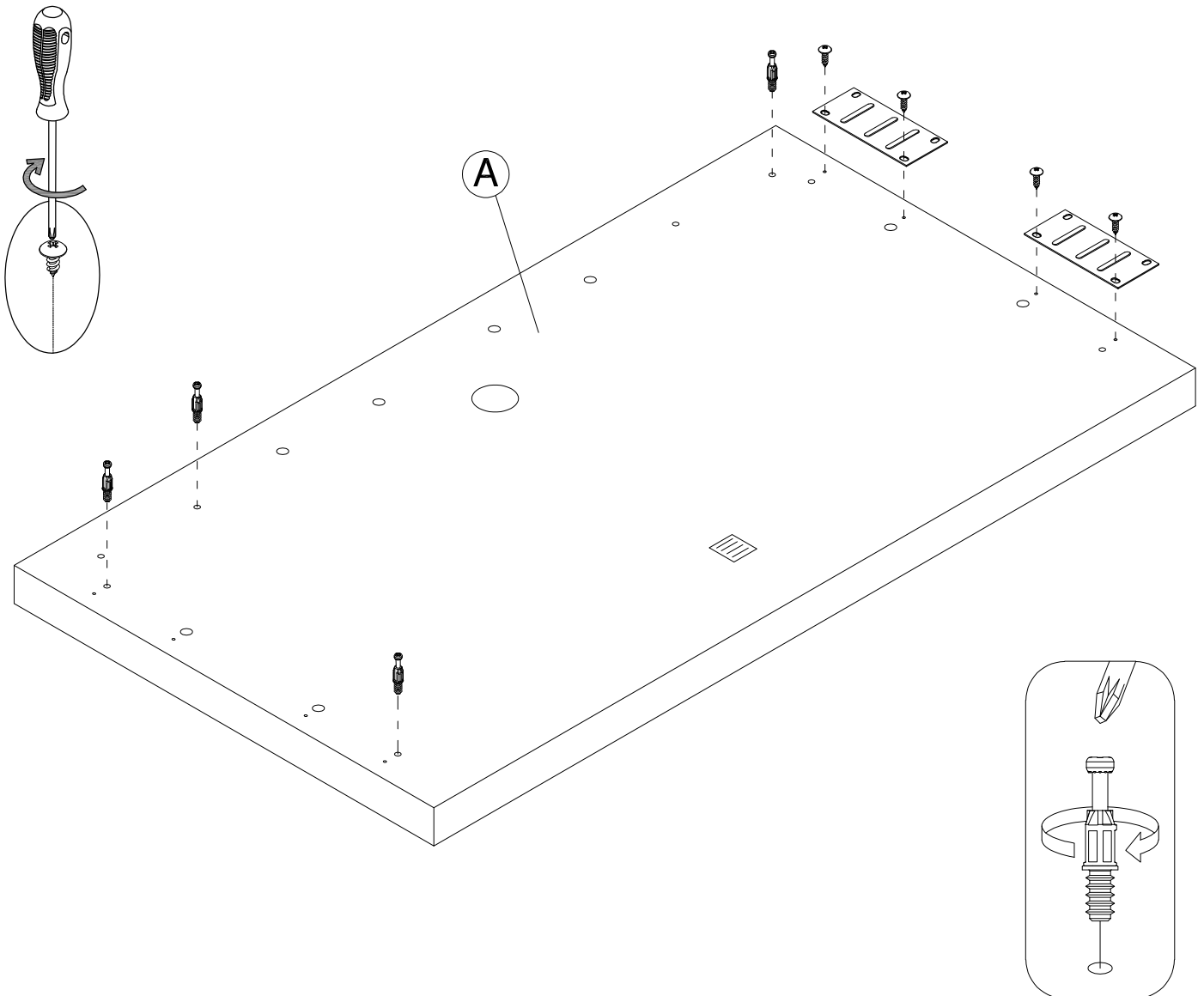
H39922



[2]

Strap

Do not fully tighten.
No apriete completamente.
Ne pas viser a fond.



Have an assembly question or need a replacement part? Just call
1-800-950-4782, we are here to help.

STEP 8

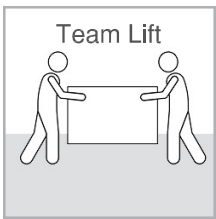
Assemble Panel

A185737H

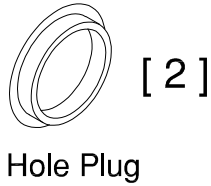
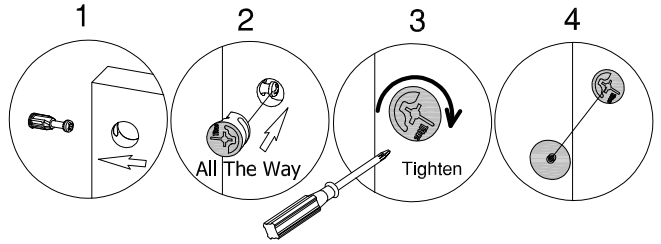
Scan QR Code to Watch Video on:



How to Tighten KD Cams



[2]

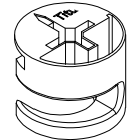


[2]



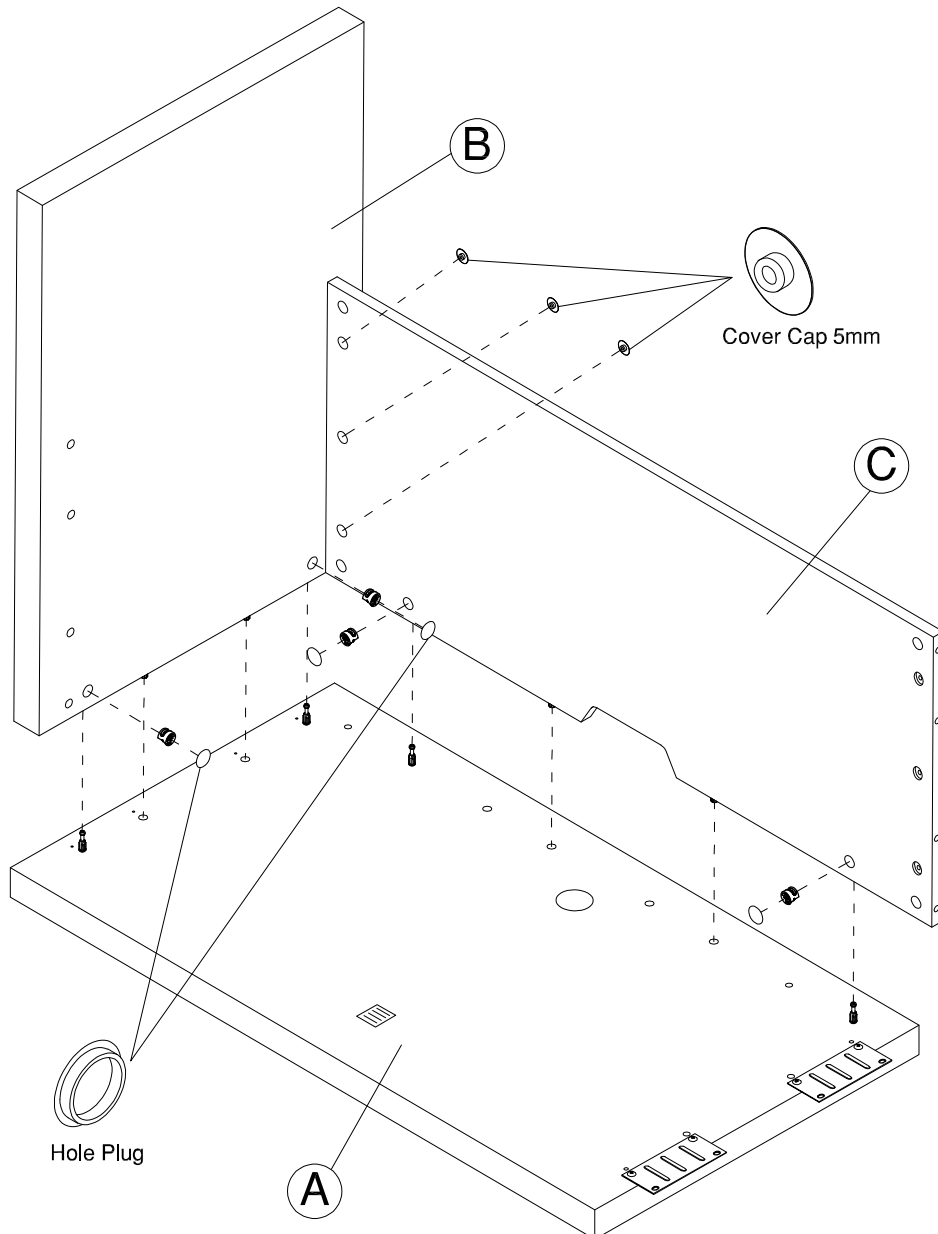
[3]

H181468



[4]

KD Cam

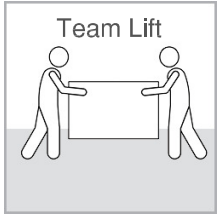


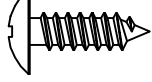
Have an assembly question or need a replacement part? Just call **1-800-950-4782**, we are here to help.

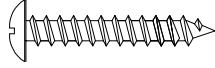
STEP 9

Assemble Panel

A185737H

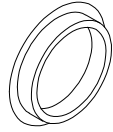


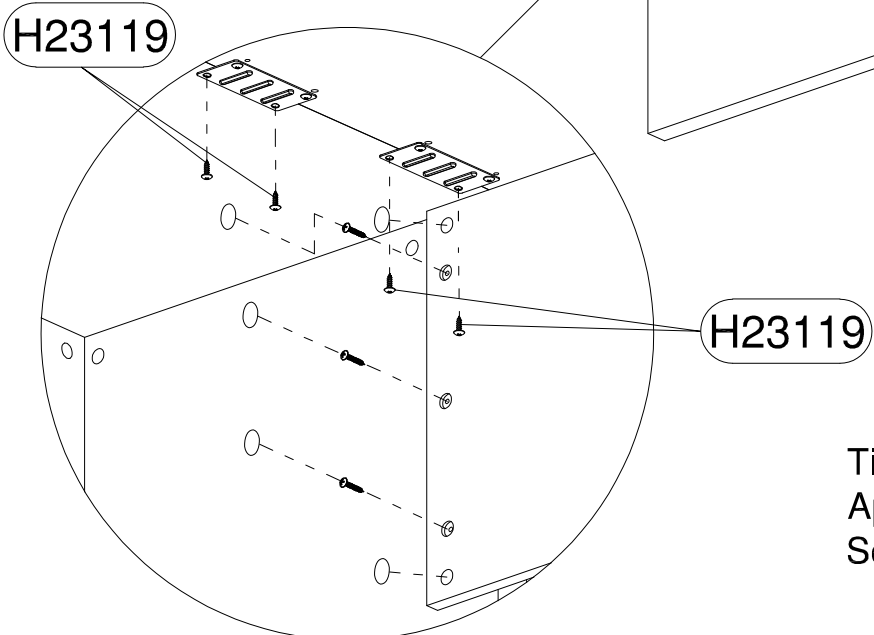
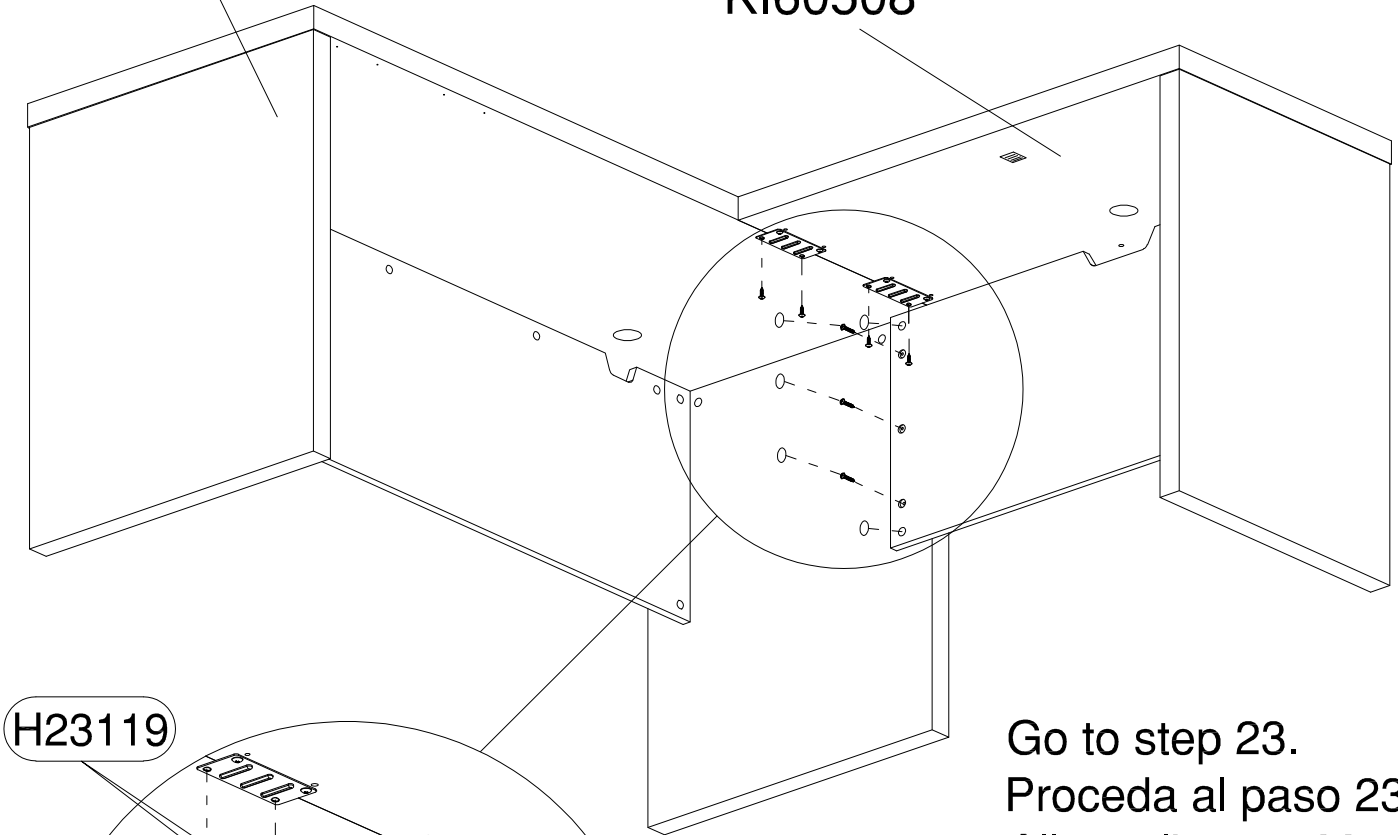
H23119  [4]
#10 x 5/8"

H150019  [3]
#8 x 1"

KI60106 KI60406
KI60206 KI60506
KI60306

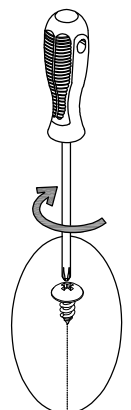
KI60108
KI60208
KI60308
KI60408
KI60508

 [5]
Hole Plug



Go to step 23.
Proceda al paso 23.
Allez a l'etape 23.

Tighten all screws.
Apriete todos los tornillos.
Serrez toutes les vis.

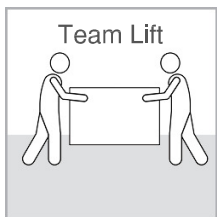


Have an assembly question or need a replacement part? Just call
1-800-950-4782, we are here to help.

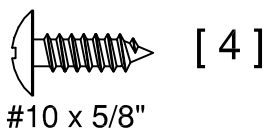
STEP 10

Assemble Panel

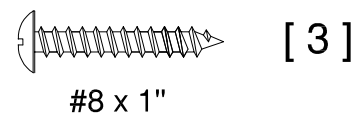
A185737H



H23119

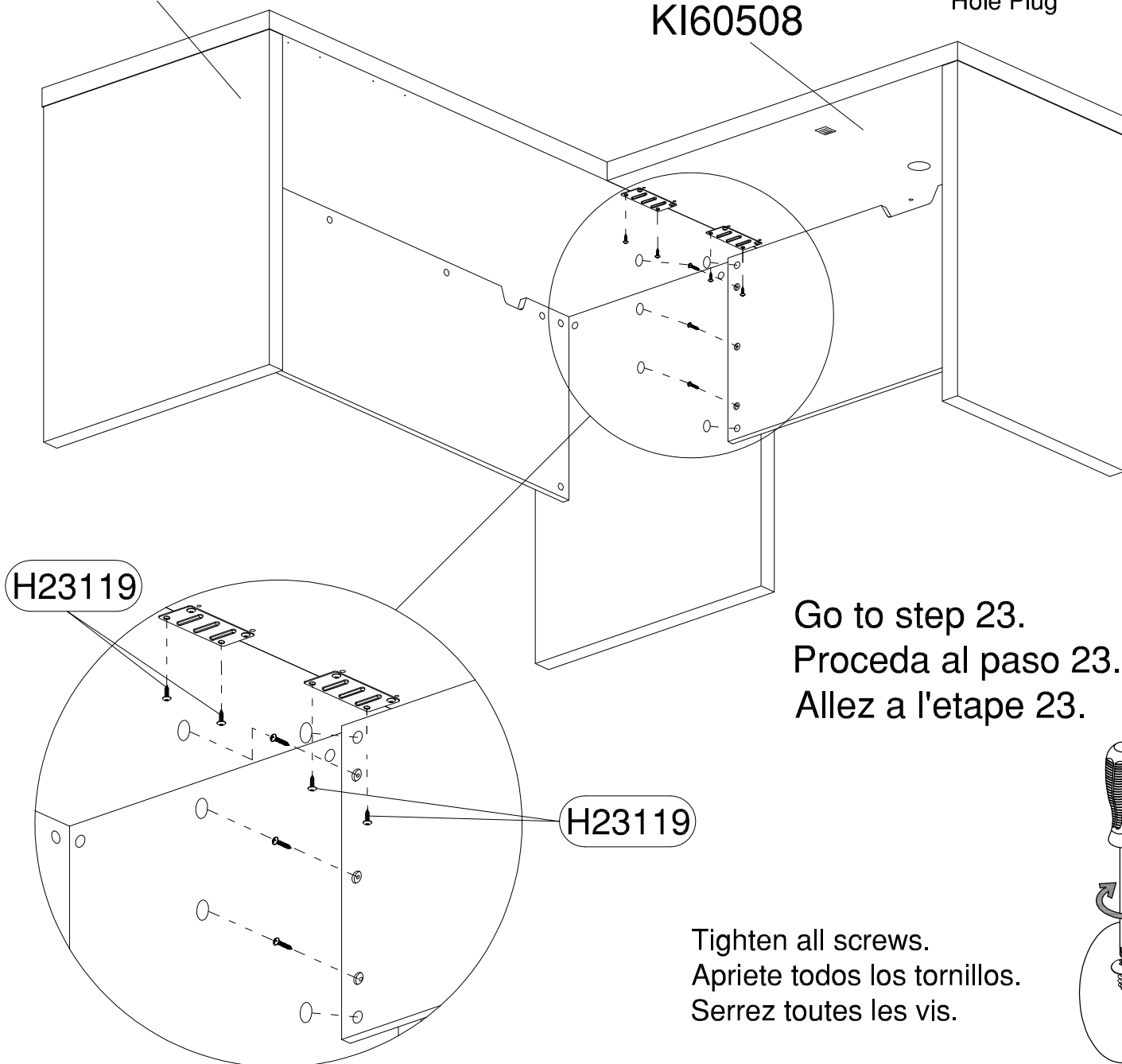


H150019



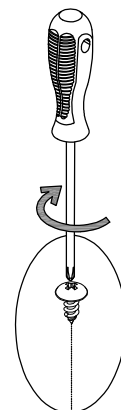
KI60105 KI60405
KI60205 KI60505
KI60305

KI60108
KI60208
KI60308
KI60408
KI60508



Go to step 23.
Proceda al paso 23.
Allez a l'etape 23.

Tighten all screws.
Apriete todos los tornillos.
Serrez toutes les vis.



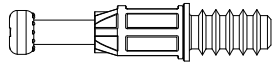
Have an assembly question or need a replacement part? Just call
1-800-950-4782, we are here to help.

STEP 11

Prepare Panel

A185737H

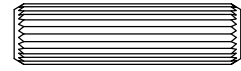
H72988



[2]

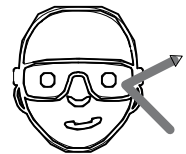
KD Bolt

H38169

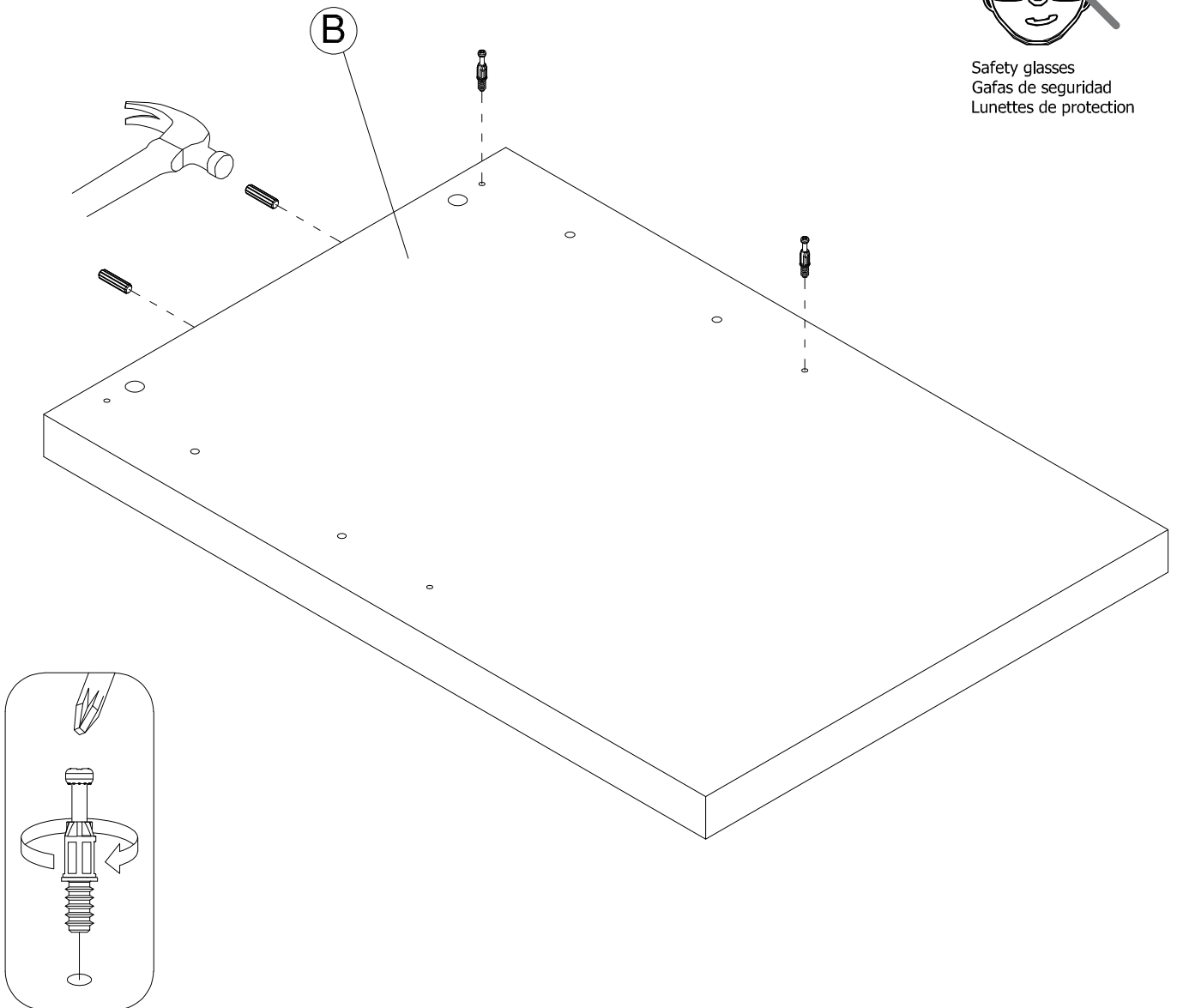


[2]

Wood Dowel
8 x 30mm



Safety glasses
Gafas de seguridad
Lunettes de protection



Have an assembly question or need a replacement part? Just call
1-800-950-4782, we are here to help.

STEP 12

Prepare Panel

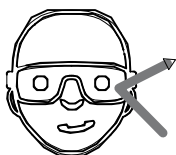
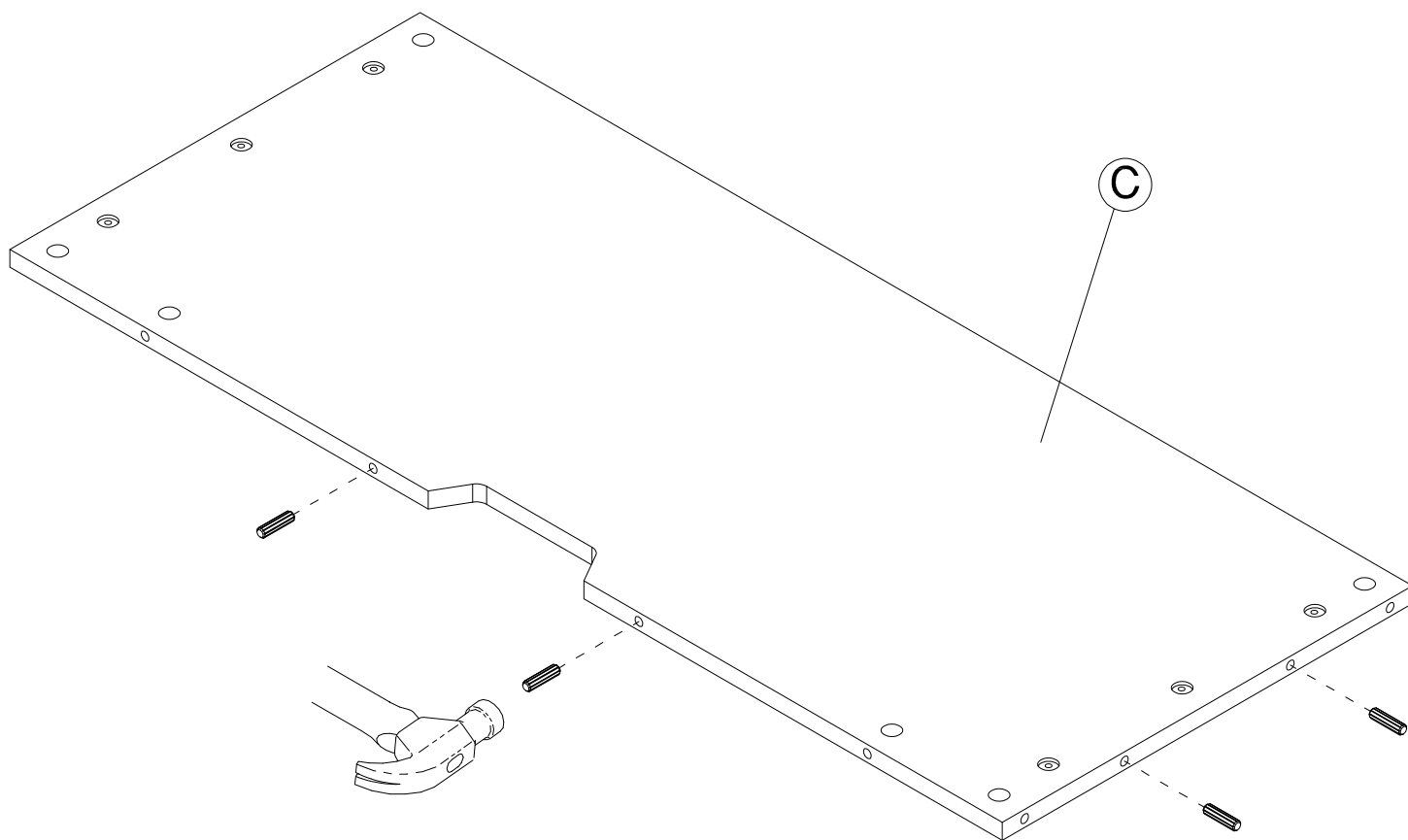
A185737H

H38169



[4]

Wood Dowel
8 x 30mm



Safety glasses
Gafas de seguridad
Lunettes de protection

Have an assembly question or need a replacement part? Just call
1-800-950-4782, we are here to help.

STEP 13

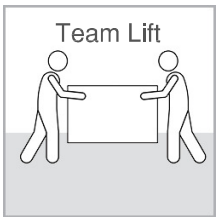
Assemble Panel

A185737H

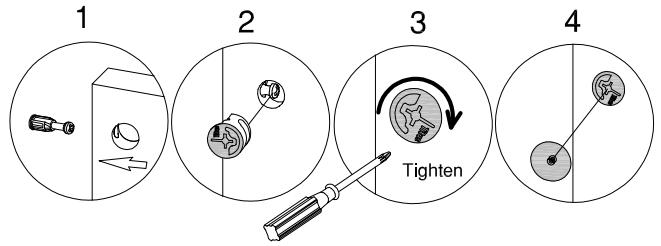
Scan QR Code to Watch Video on:



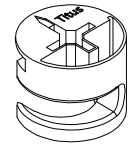
How to Tighten KD Cams



[2]

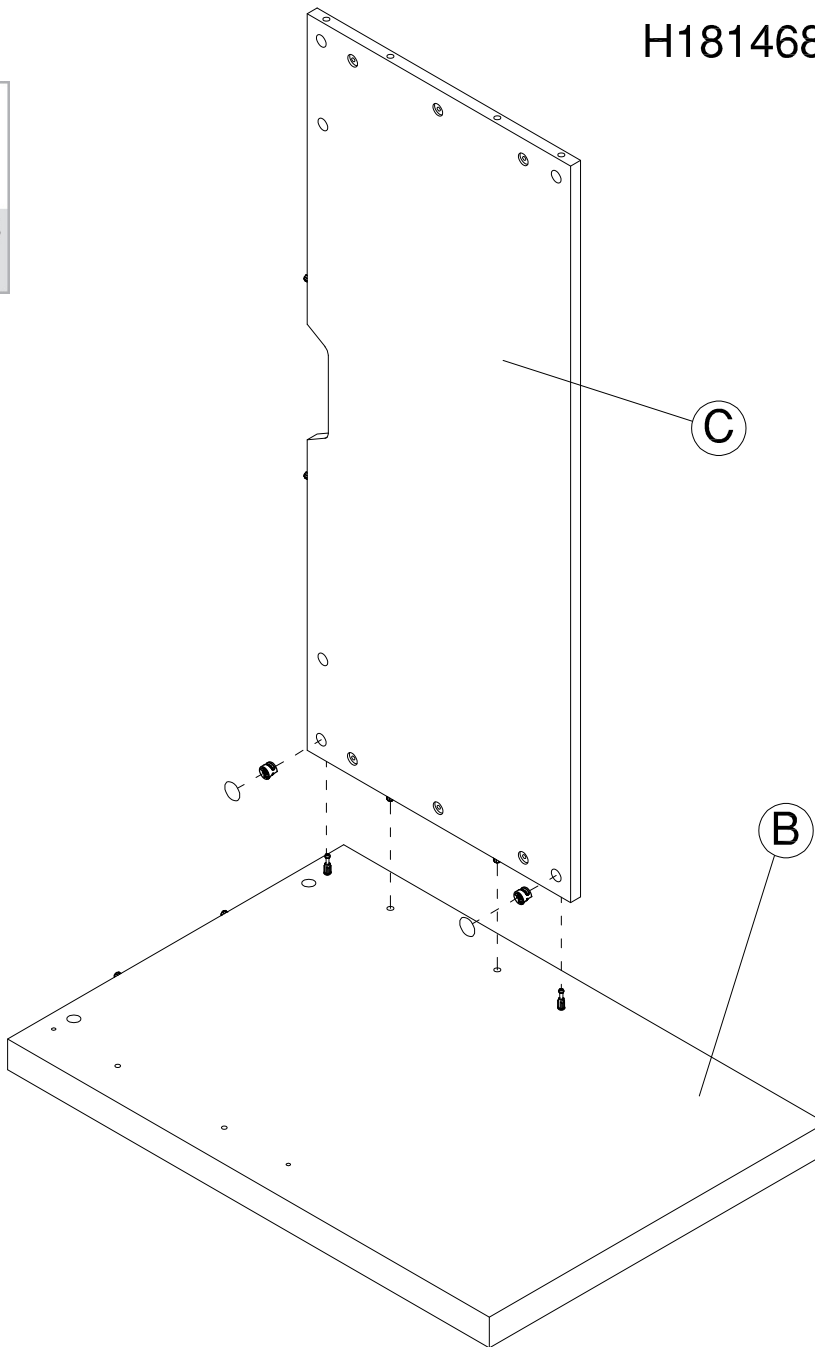


H181468



[2]

KD Cam

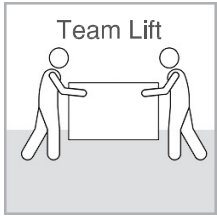


Have an assembly question or need a replacement part? Just call **1-800-950-4782**, we are here to help.

STEP 14

Assemble Panel

A185737H



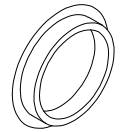
[2]

Cover Cap 5mm



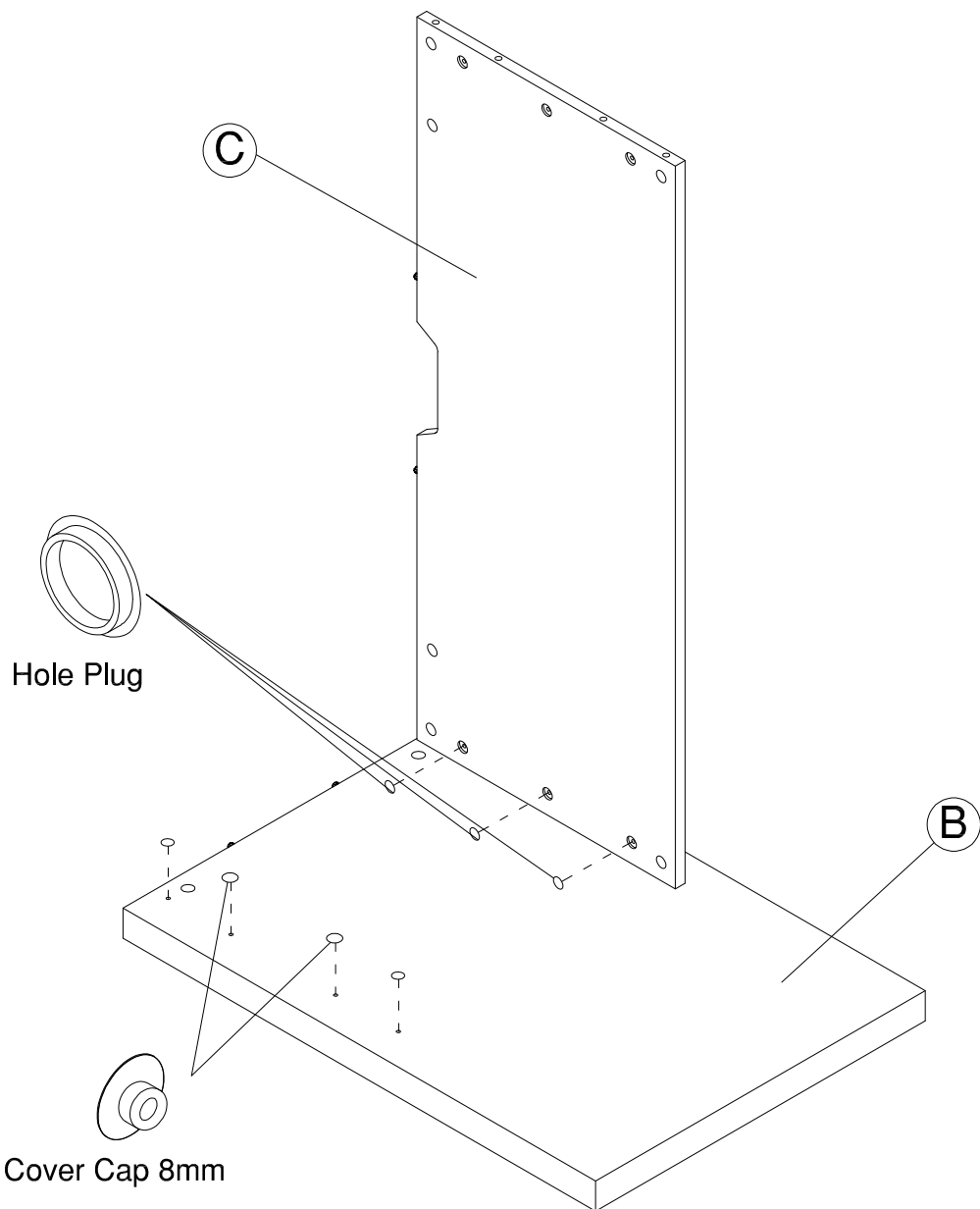
[2]

Cover Cap 8mm



[3]

Hole Plug



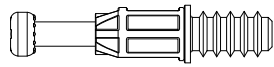
Have an assembly question or need a replacement part? Just call
1-800-950-4782, we are here to help.

STEP 15

Prepare Panel

A185737H

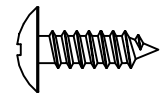
H72988



[4]

KD Bolt

H23119

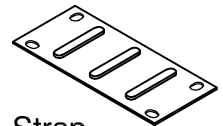


[4]

#10 x 5/8"

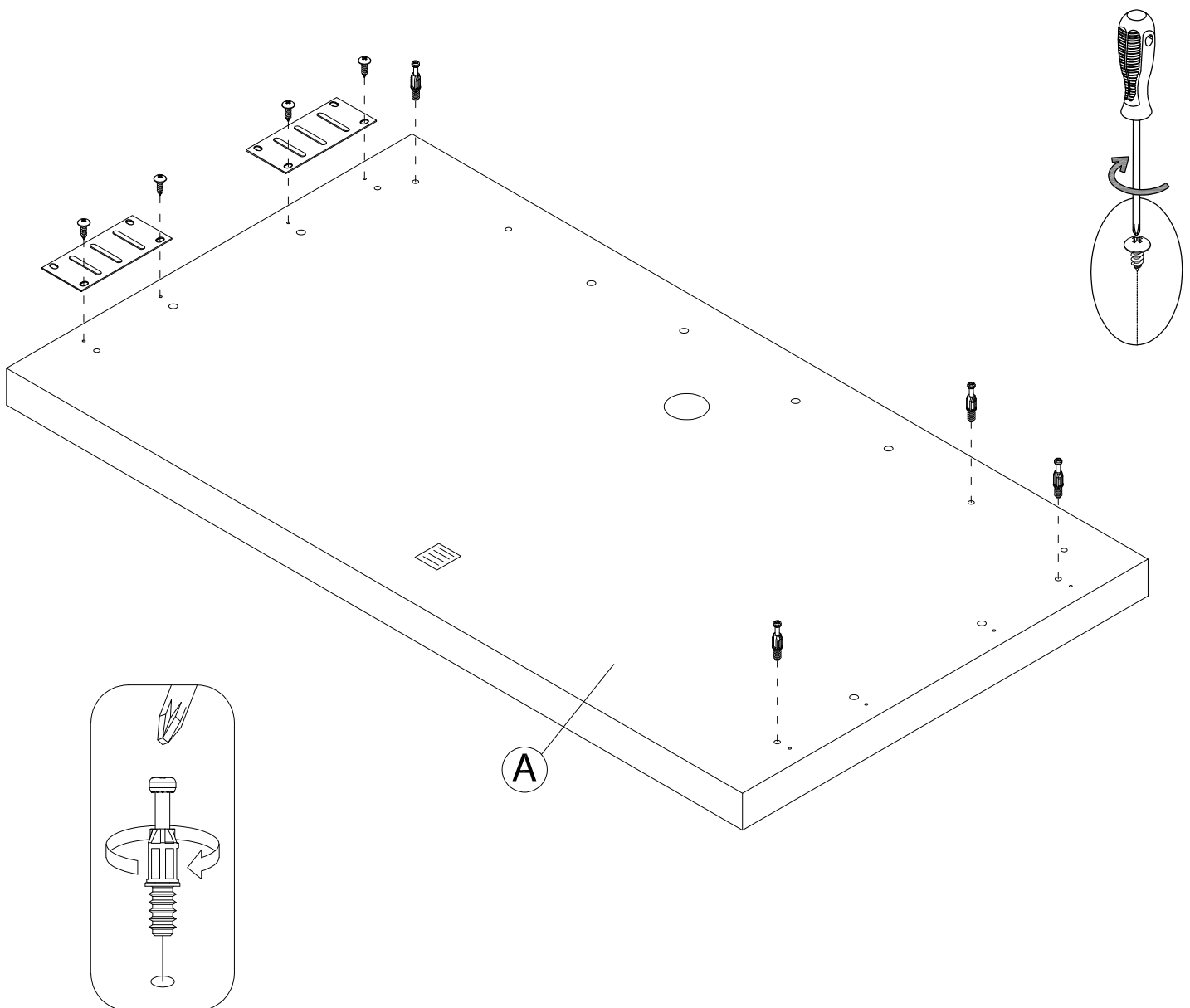
Do not fully tighten.
No apriete completamente.
Ne pas viser a fond.

H39922



[2]

Strap



Have an assembly question or need a replacement part? Just call
1-800-950-4782, we are here to help.

STEP 16

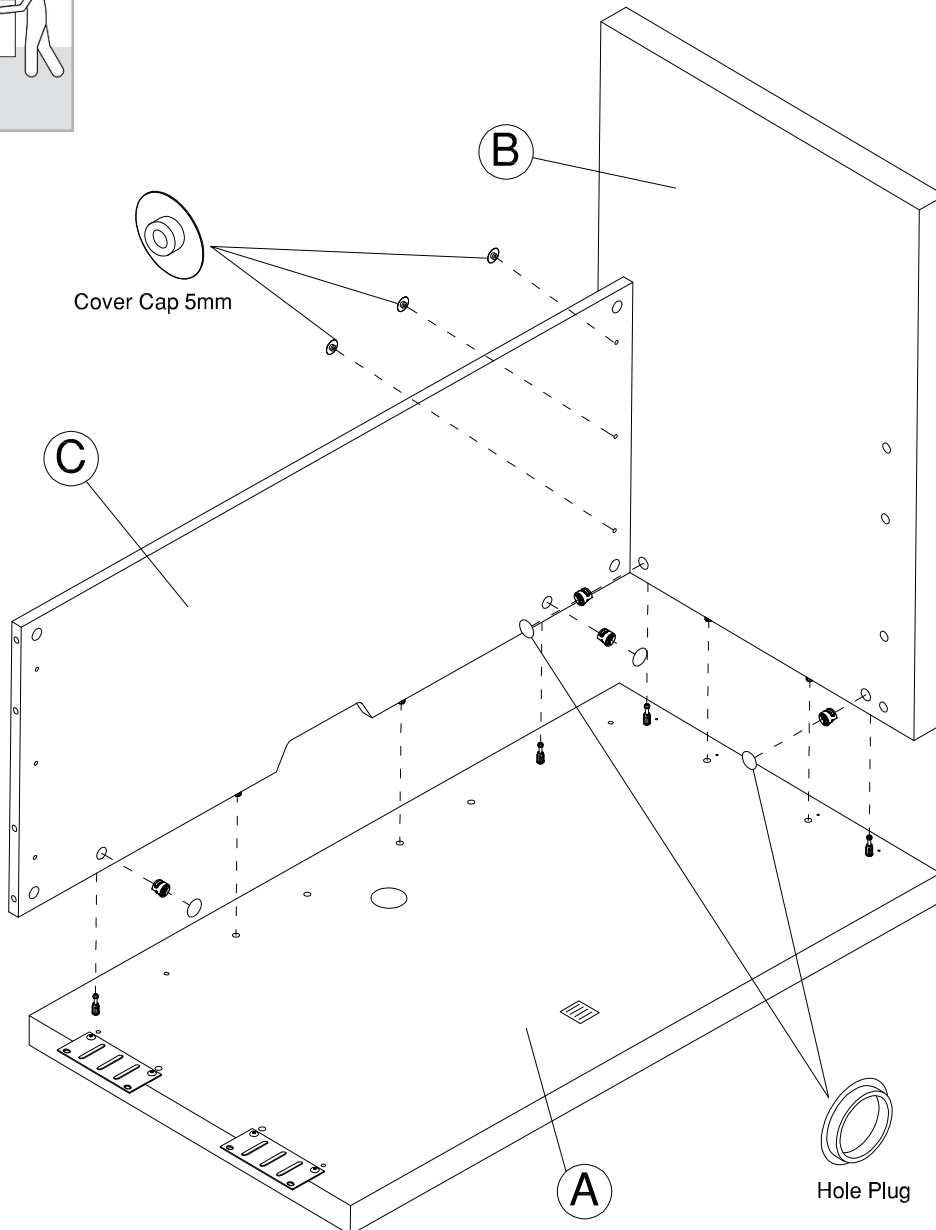
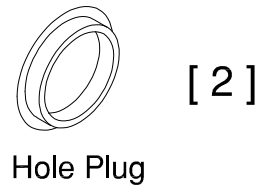
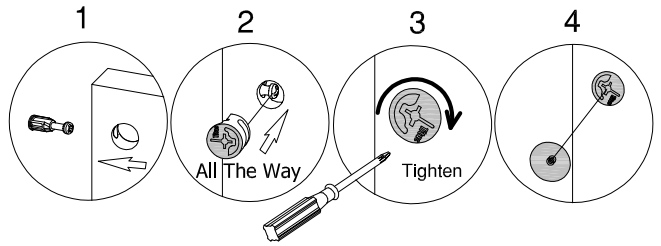
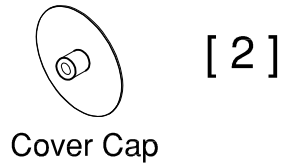
Assemble Panel

A185737H

Scan QR Code to Watch Video on:



How to Tighten KD Cams

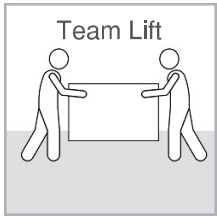


Have an assembly question or need a replacement part? Just call **1-800-950-4782**, we are here to help.

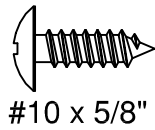
STEP 17

Assemble Panel

A185737H

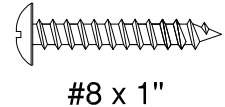


H23119



[4]

H150019



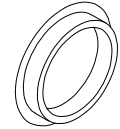
[3]

#10 x 5/8"

#8 x 1"

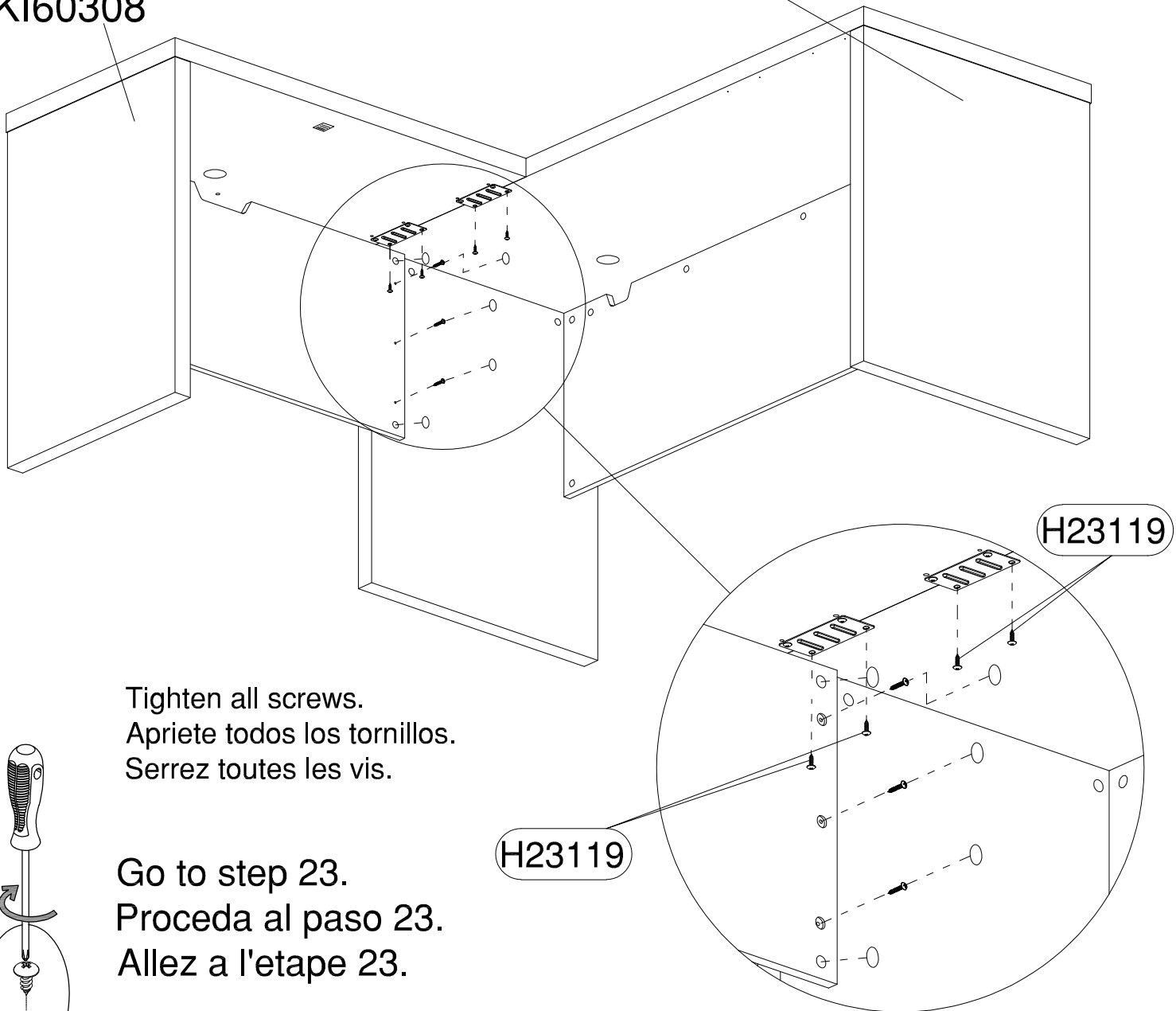
KI60108 KI60408
KI60208 KI60508
KI60308

KI60106
KI60206
KI60306
KI60406
KI60506

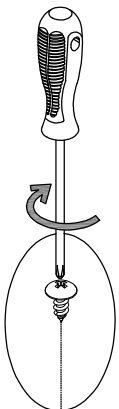


[5]

Hole Plug



Tighten all screws.
Apriete todos los tornillos.
Serrez toutes les vis.



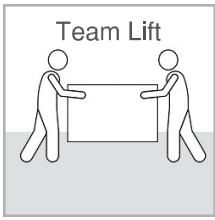
Go to step 23.
Proceda al paso 23.
Allez a l'etape 23.

Have an assembly question or need a replacement part? Just call
1-800-950-4782, we are here to help.

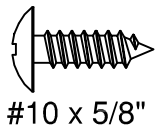
STEP 18

Assemble Panel

A185737H

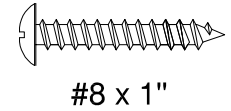


H23119



[4]

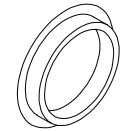
H150019



[3]

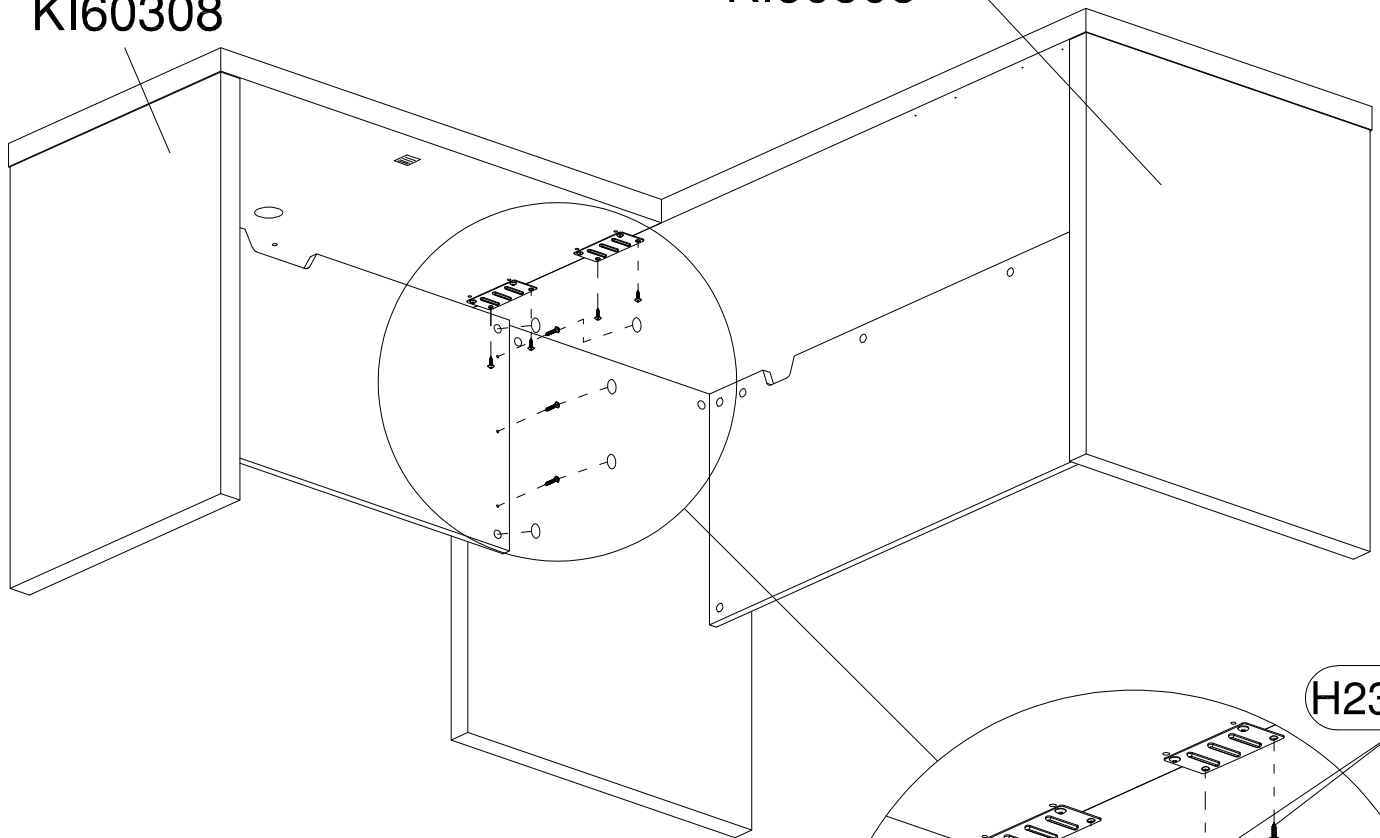
KI60108 KI60408
KI60208 KI60508
KI60308

KI60105
KI60205
KI60305
KI60405
KI60505



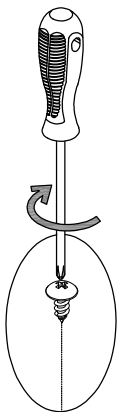
[5]

Hole Plug



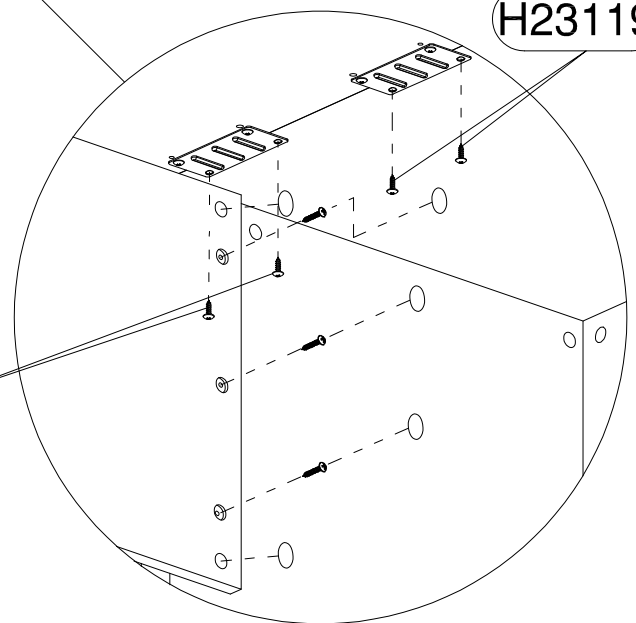
H23119

Tighten all screws.
Apriete todos los tornillos.
Serrez toutes les vis.



Go to step 23.
Proceda al paso 23.
Allez a l'etape 23.

H23119



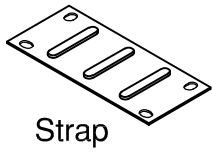
Have an assembly question or need a replacement part? Just call
1-800-950-4782, we are here to help.

STEP 19

Prepare Panel

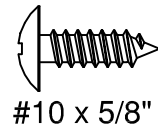
A185737H

H39922

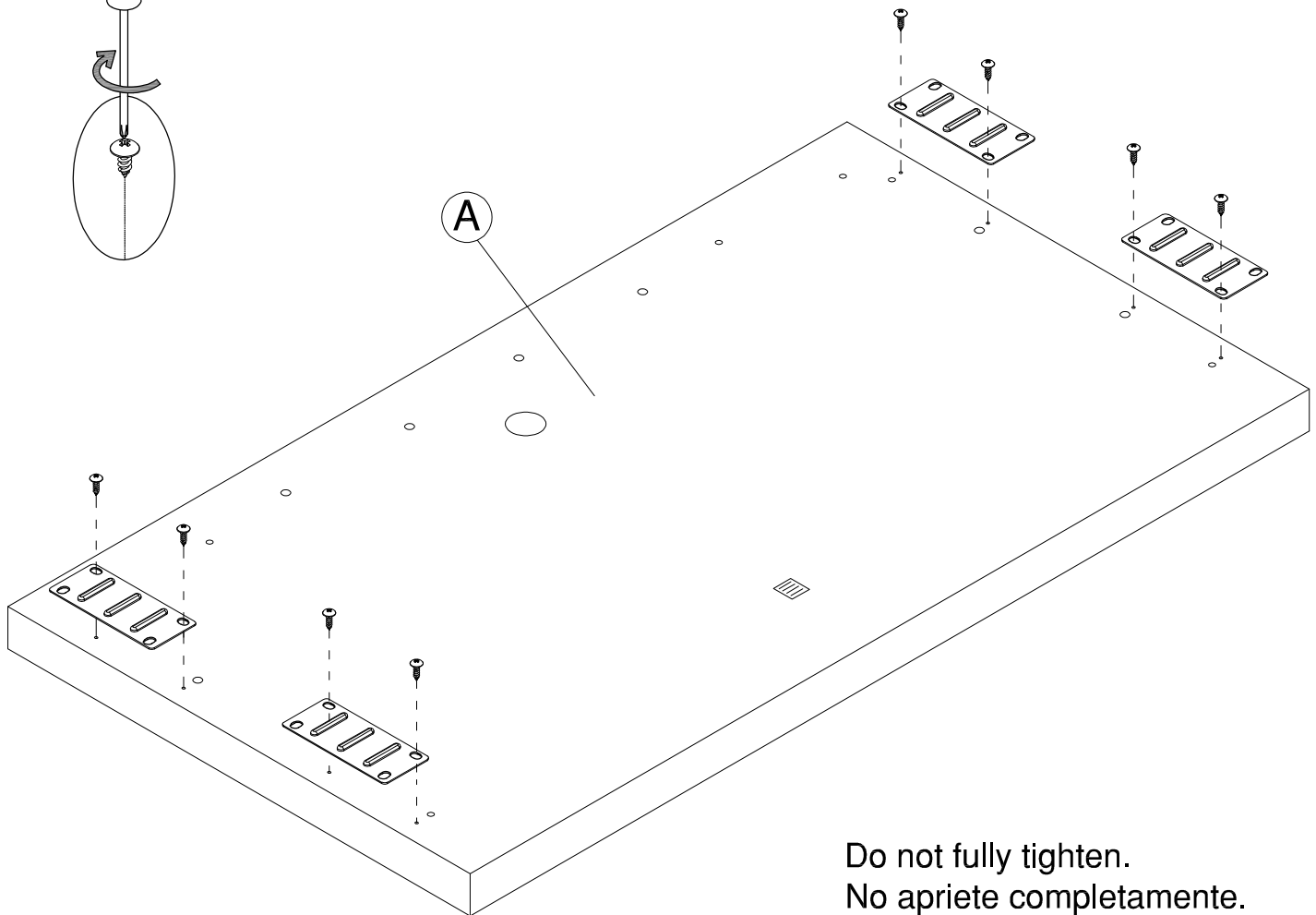
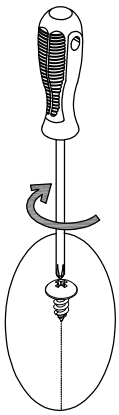


[4]

H23119



[8]



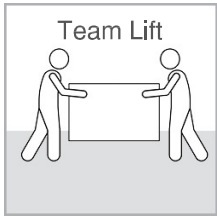
Do not fully tighten.
No apriete completamente.
Ne pas visser a fond.

Have an assembly question or need a replacement part? Just call
1-800-950-4782, we are here to help.

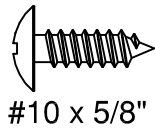
STEP 20

Assemble Panel

A185737H



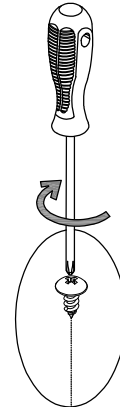
H23119



[8]

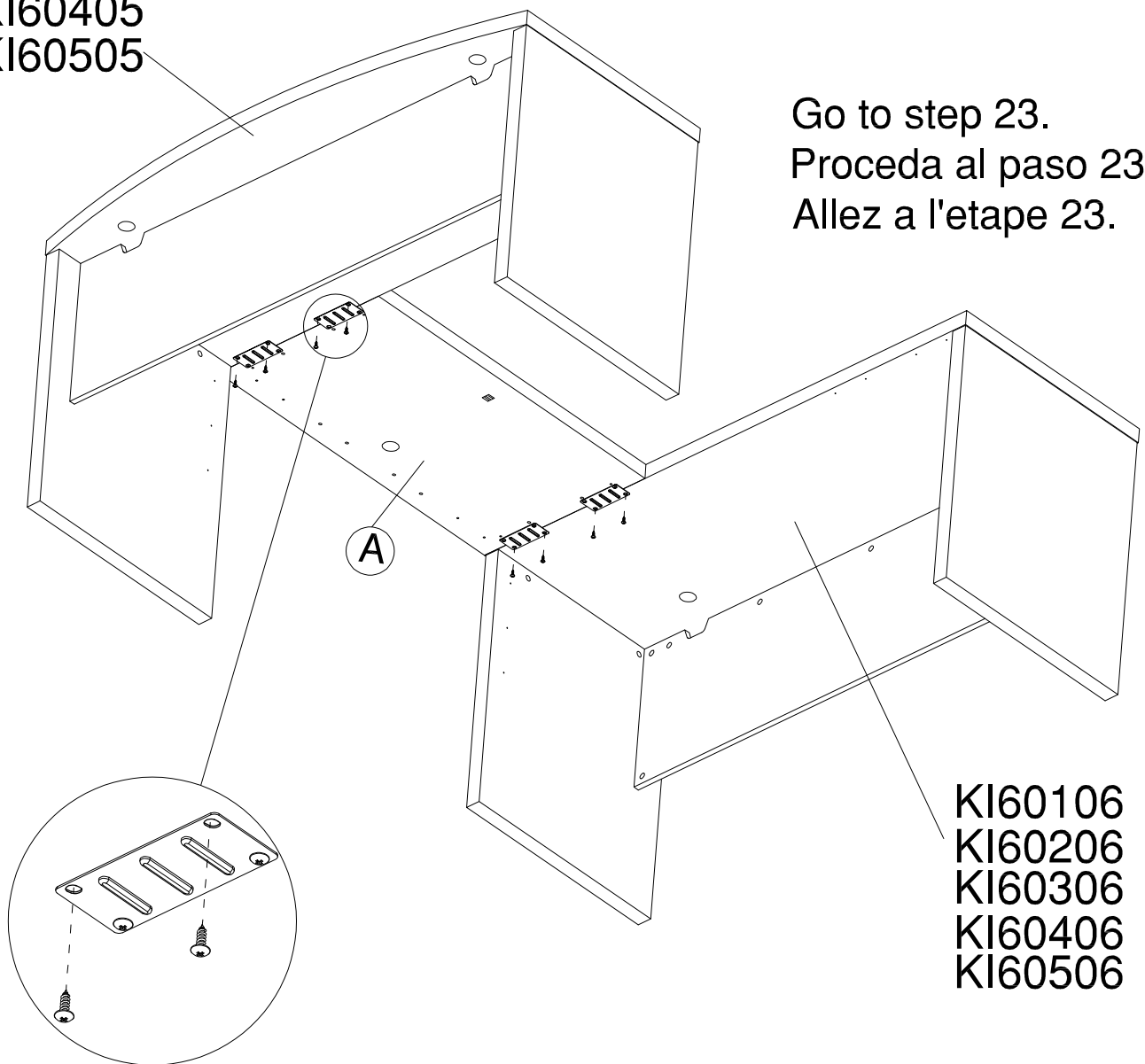
#10 x 5/8"

Tighten all screws.
Apriete todos los tornillos.
Serrez toutes les vis.



KI60105
KI60205
KI60305
KI60405
KI60505

Go to step 23.
Proceda al paso 23.
Allez a l'etape 23.



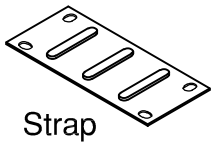
Have an assembly question or need a replacement part? Just call
1-800-950-4782, we are here to help.

STEP 21

Prepare Panel

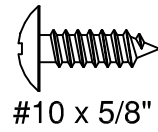
A185737H

H39922

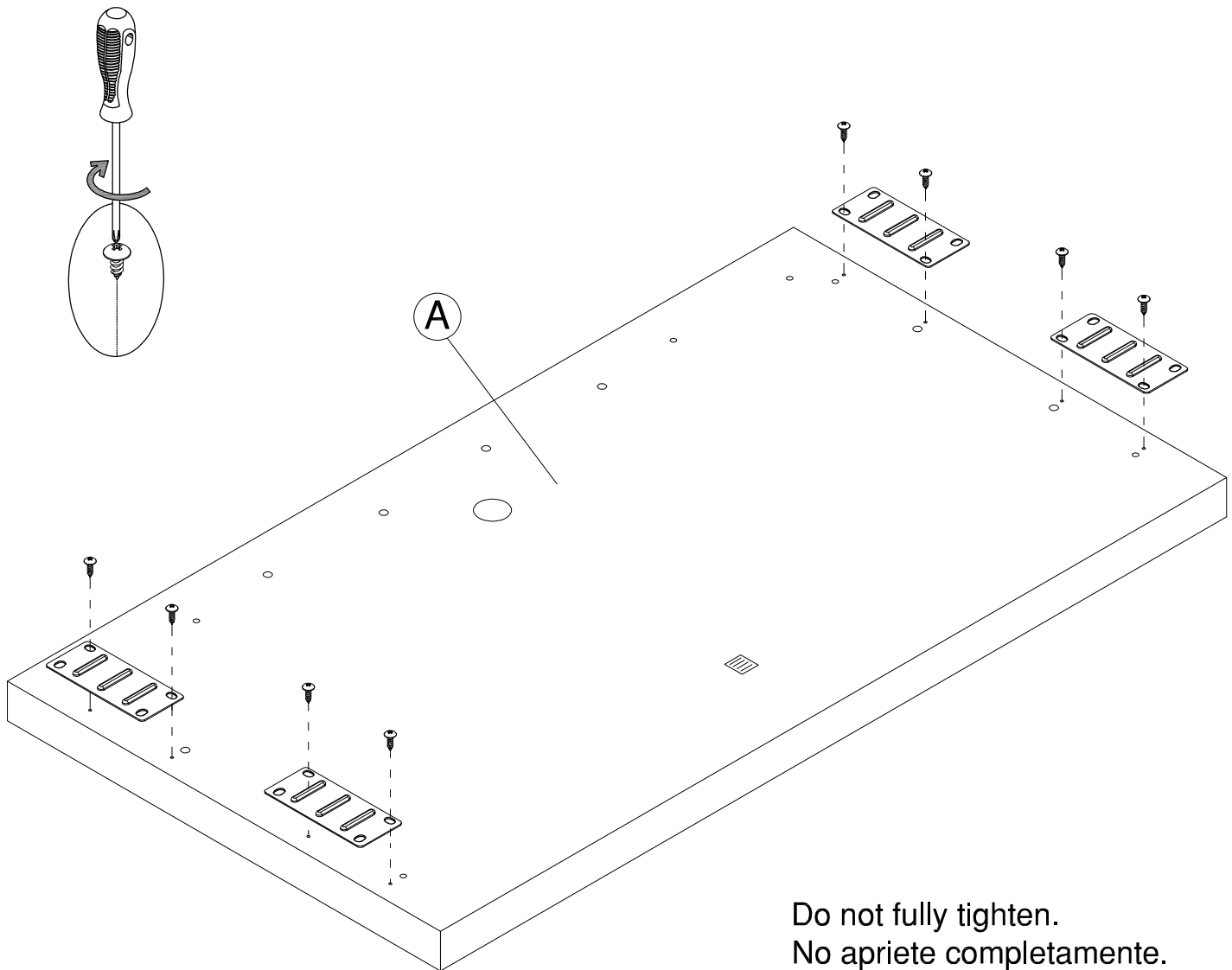
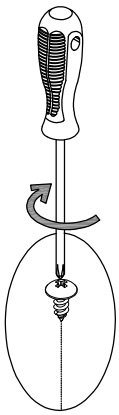


[4]

H23119



[8]



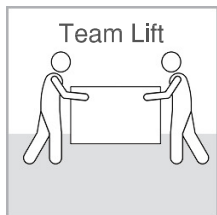
Do not fully tighten.
No apriete completamente.
Ne pas visser a fond.

Have an assembly question or need a replacement part? Just call
1-800-950-4782, we are here to help.

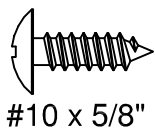
STEP 22

Assemble Panel

A185737H



H23119

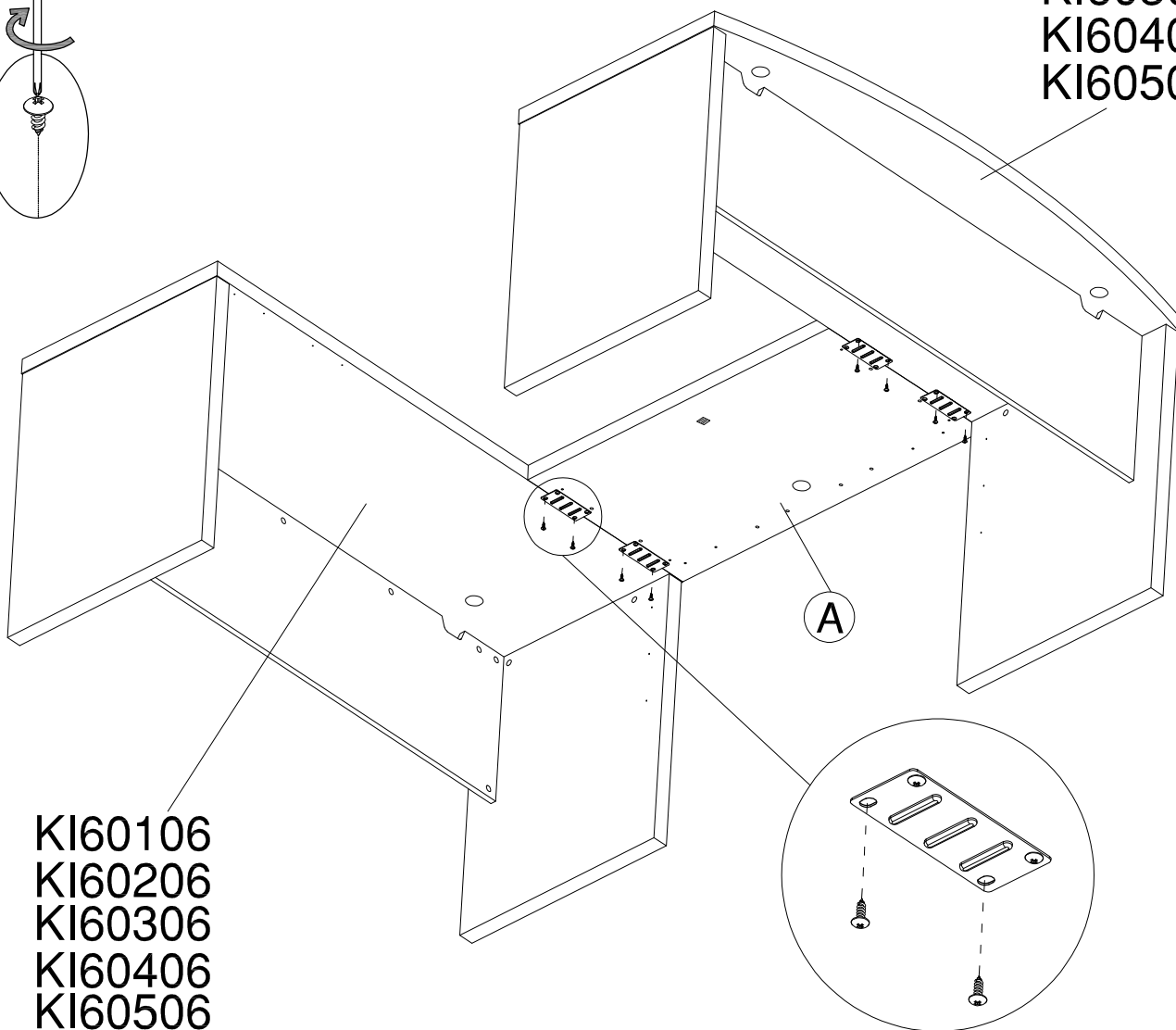
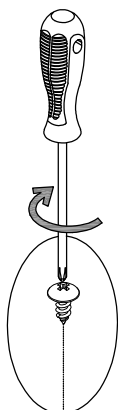


[8]

#10 x 5/8"

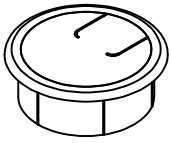
Tighten all screws.
Apriete todos los tornillos.
Serrez toutes les vis.

KI60105
KI60205
KI60305
KI60405
KI60505



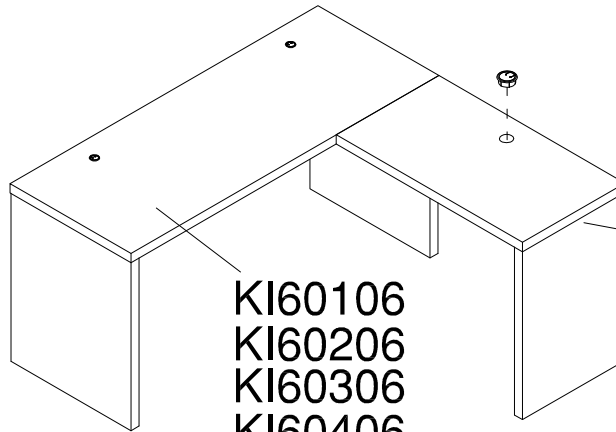
KI60106
KI60206
KI60306
KI60406
KI60506

Have an assembly question or need a replacement part? Just call
1-800-950-4782, we are here to help.



Grommet

[1]

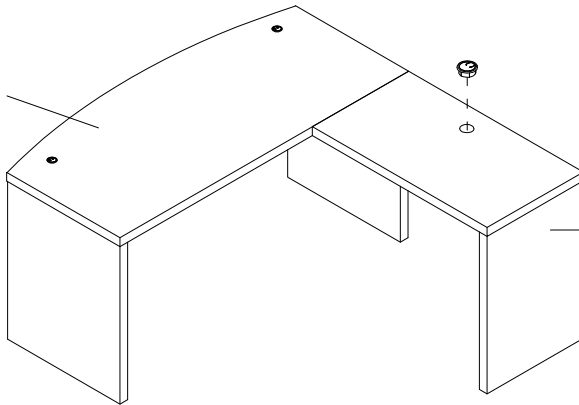


KI60106
KI60206
KI60306
KI60406
KI60506

KI60108
KI60208
KI60308
KI60408
KI60508

OR

KI60105
KI60205
KI60305
KI60405
KI60505

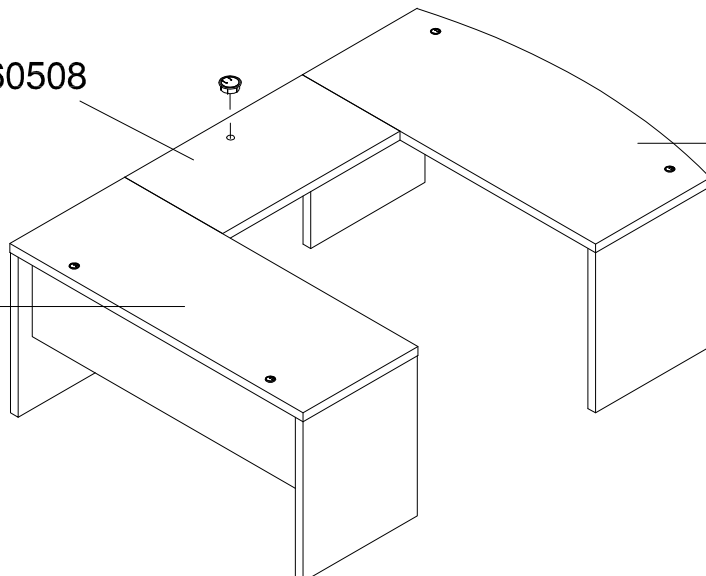


KI60108
KI60208
KI60308
KI60408
KI60508

OR

KI60108 KI60308 KI60508
KI60208 KI60408
Top Shelf

KI60106
KI60206
KI60306
KI60406
KI60506



KI60105
KI60205
KI60305
KI60405
KI60505

Have an assembly question or need a replacement part? Just call
1-800-950-4782, we are here to help.

Scan QR Code to Watch Video on:

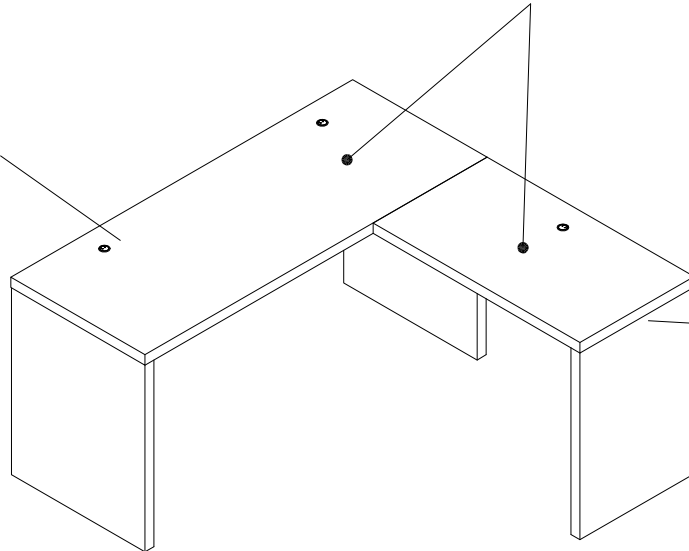


How to Clean the Surface

Gently clean surfaces with a damp sponge eraser.

MAXIMUM WEIGHT: 200 LBS (90.72 KG)
PESO MÁXIMO: 200 LIBRAS (90.72 KILOGRAMO)
POIDS MAXIMUM: 200 LIVRES (90.72 KILOGRAMME)

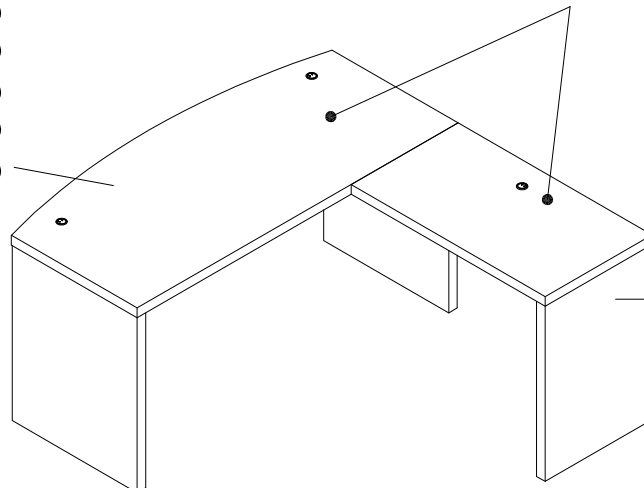
- KI60106
- KI60206
- KI60306
- KI60406
- KI60506



- KI60108
- KI60208
- KI60308
- KI60408
- KI60508

MAXIMUM WEIGHT: 200 LBS (90.72 KG)
PESO MÁXIMO: 200 LIBRAS (90.72 KILOGRAMO)
POIDS MAXIMUM: 200 LIVRES (90.72 KILOGRAMME)

- KI60105
- KI60205
- KI60305
- KI60405
- KI60505



- KI60108
- KI60208
- KI60308
- KI60408
- KI60508

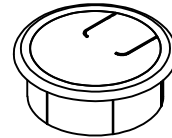
Congratulations! You are all done. If you have any questions or concerns, please call.

Have an assembly question or need a replacement part? Just call **1-800-950-4782**, we are here to help.

KI60108

A [1] W209313
 B [1] W204840
 C [1] W209322

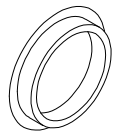
H195624



[1]

Grommet

H170594



[10]

Hole Plug

H182572



[2]

Cover Cap 8mm

H182573



[5]

Cover Cap 5mm

H170595



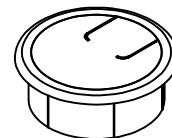
[4]

Cover Cap

KI60208

A [1] W209314
 B [1] W204841
 C [1] W209323

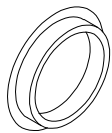
H151407



[1]

Grommet

H188596



[10]

Hole Plug

H188597



[2]

Cover Cap 8mm

H188598



[5]

Cover Cap 5mm

H188599



[4]

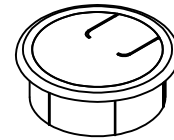
Cover Cap

Have an assembly question or need a replacement part? Just call
1-800-950-4782, we are here to help.

KI60308

A [1] W209315
 B [1] W204355
 C [1] W209324

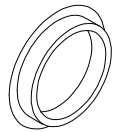
H184440



[1]

Grommet

H204435



[10]

Hole Plug

H204436



[2]

Cover Cap 8mm

H204437



[5]

Cover Cap 5mm

H204433



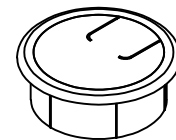
[4]

Cover Cap

KI60408

A [1] W209316
 B [1] W204418
 C [1] W209325

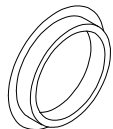
H202825



[1]

Grommet

H195360



[10]

Hole Plug

H204439



[2]

Cover Cap 8mm

H195361



[5]

Cover Cap 5mm

H194048



[4]

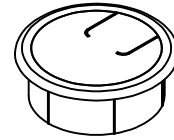
Cover Cap

Have an assembly question or need a replacement part? Just call
1-800-950-4782, we are here to help.

KI60508

A [1] W209313
B [1] W204840
C [1] W209325

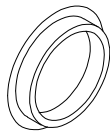
H195624



[1]

Grommet

H195360



[8]

Hole Plug

H182572



[2]

Cover Cap 8mm

H195361



[3]

Cover Cap 5mm

H194048



[4]

Cover Cap

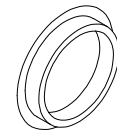
H182573



[2]

Cover Cap 5mm

H170594



[2]

Hole Plug

THIS PAGE INTENTIONALLY LEFT BLANK

WARRANTY INFORMATION/INFORMATIONS POUR LA GARANTIE/INFORMACIÓN DE GARANTÍA

BUSH BUSINESS FURNITURE'S WRITTEN WARRANTY TO YOU

In order to provide you with timely assistance, please thoroughly inspect your furniture for missing or defective parts immediately after opening the carton. To receive replacement or missing parts under this warranty, call our Consumer Service Department TOLL-FREE at 1-800-950-4782. Please have the Model, Part, and Lot Numbers found in the instruction manual available for your reference. You will also need your sales receipt or other proof of purchase. Replacement part(s) will be shipped to you at no charge with Bush Industries assuming all shipping and handling charges.

This Bush Business Furniture product is warranted to the original purchaser at the time of purchase and for a period of three years thereafter.

We warrant to you, the original purchaser, that our furniture and all its parts and components are free of defects in material or workmanship. "Defects," as used in this warranty, is defined as any imperfection which impairs the use of the furniture product.

Our warranty is expressly limited to the replacement of furniture parts and components. For three years after the date of purchase, Bush will replace any parts that are defective in material or workmanship.

This warranty applies under conditions of normal use. Our Bush Business Furniture products are not intended for outdoor use. This warranty does not cover: 1) defects caused by improper assembly or disassembly; 2) defects occurring after purchase due to product modification, intentional damage, accident, misuse, abuse, negligence or exposure to the elements; and 3) labor or assembly costs. 4) Batteries are not included.

IMPLIED WARRANTIES, INCLUDING THE WARRANTY OF MERCHANTABILITY, SHALL NOT EXTEND BEYOND THE DURATION OF THE WRITTEN WARRANTY STATED ABOVE, AND IN NO EVENT SHALL BUSH BE LIABLE FOR INCIDENTAL OR CONSEQUENTIAL DAMAGES RESULTING FROM USE OF THE PRODUCT.

Some states do not allow a limitation on how long an implied warranty lasts or the exclusion or limitation of incidental or consequential damages, so the above limitation and exclusion may not apply to you.

This warranty gives you specific legal rights. You may also have other rights that may vary from state to state.

VOTRE GARANTIE BUSH BUSINESS FURNITURE

Afin de vous assister rapidement, veuillez inspecter votre mobilier en détail immédiatement après l'ouverture du carton en cas de pièces manquantes ou défectueuses. Pour recevoir une pièce de rechange ou manquante couverte par cette garantie, appelez notre département de service clientèle GRATUITEMENT au 1-800-950-4782. Veuillez tenir à disposition les numéros de modèle, de pièce et de lot qui se trouvent dans le manuel d'instruction pour votre référence. Vous aurez également besoin de votre reçu ou d'une autre preuve d'achat. La (les) pièce(s) de rechange vous sera (seront) envoyée(s) sans frais, Bush Industries se chargeant de tous les frais d'expédition.

Tout le produit Bush Business Furniture est garanti à l'acheteur original à partir de la date d'achat pour une période d'e trois ans.

Nous vous garantissons, à vous l'acheteur original, que notre mobilier et toutes ses pièces et composants sont sans défaut de matériau ou de fabrication. Le terme "défauts" utilisé dans cette garantie, est défini comme étant toutes les imperfections qui compromettent l'utilisation du meuble.

Notre garantie est expressément limitée au remplacement des pièces et des composants du mobilier. Pendant trois ans après la date d'achat, Bush remplacera toute pièce défectueuse dans le matériau ou sa fabrication.

Cette garantie d'applique sous des conditions d'utilisation normale. Nos produits ne sont pas destinés à être utilisés en plein air. Cette garantie ne couvre pas: 1) les défauts causés par un mauvais assemblage ou démontage, 2) les défauts ayant lieu après l'achat et dus à la modification du produit, des dommages intentionnels, des accidents, une mauvaise utilisation, un mauvais traitement, la négligence ou l'exposition aux éléments, et 3) les frais de main d'œuvre ou d'assemblage. 4) les piles ne sont pas incluses.

LES GARANTIES TACITES, Y COMPRIS LA GARANTIE DE QUALITE MARCHANDE, NE S'ETENDRONT PAS AU-DELA DE LA DUREE ECRITE CITEE CI-DESSUS, ET BUSH NE SERA EN AUCUN CAS RESPONSABLE DES DOMMAGES ACCESSOIRES OU INDIRECTS RESULTANT DE L'UTILISATION DU PRODUIT.

Certains états ne permettent pas d'appliquer une limite à la durée de la garantie tacite, ni une exclusion ou limitation des dommages accessoires ou indirects; dans ce cas les limitations ou exclusion ci-dessus peuvent ne pas s'appliquer à vous.

Cette garantie vous donne des droits légaux spécifiques. Il se peut que vous ayez également d'autres droits qui peuvent varier d'un état à l'autre.

GARANTIA ESCRITA DE BUSH BUSINESS FURNITURE PARA USTED

Para brindarle asistencia oportuna, por favor, verifique detalladamente que a su mueble no le falte o tenga piezas defectuosas inmediatamente después de abrir la caja. Para recibir un reemplazo o la parte faltante bajo esta garantía, llame a nuestro Departamento de Servicio al Consumidor GRATIS al 1-800-950-4782. Sírvase traer los números de modelo, parte y lote que se encuentran en el manual de instrucciones disponible para su referencia. Además, necesitará el recibo de su compra u otra prueba de compra. La(s) pieza(s) de reemplazo le será(n) enviada(s) sin recargo por Bush Industries asumiendo los gastos de envío y manipuleo.

Todo mueble de Bush Business Furniture es garantizado al comprador original al momento de la compra y por un periodo de tres años en adelante.

Le garantizamos a usted, el comprador original, que nuestros muebles sus partes y componentes están libres de defectos en materiales o trabajo. "Defectos", según se usa en esta garantía, se define como una imperfección que perjudica el uso del producto mobiliario.

Nuestra garantía se limita expresamente al reemplazo de partes y componentes mobiliarios. Durante tres años después de la fecha de compra, Bush reemplazará cualquier parte defectuosa en material o trabajo.

Esta garantía se aplica bajo condiciones de uso normal. Nuestros productos de Bush Business Furniture no son para uso en exteriores. Esta garantía no cubre: 1) defectos causados por un ensamblaje o desensamblaje inadecuado; 2) defectos que ocurran después de la compra debido a modificación del producto, daño intencional, accidente, mal uso, abuso, negligencia o exposición a los elementos; y 3) costos de trabajo o ensamblaje. 4) Las baterías no están incluidas.

LAS GARANTÍAS IMPLICADAS, INCLUYENDO LA GARANTÍA DE COMERCIABILIDAD, NO SE EXTENDERÁN MÁS ALLÁ DE LA DURACIÓN DE LA GARANTÍA ESCRITA MENCIONADA, Y EN NINGÚN CASO BUSH SERÁ RESPONSABLE POR DAÑOS INCIDENTALES O CONSIGUIENTES COMO RESULTADO DEL USO DEL PRODUCTO. Algunos estados no permiten una limitación sobre el tiempo de duración de la garantía implicada o la exclusión o limitación de daños incidentales o consiguientes, de manera que la limitación y exclusión mencionadas pueden no aplicarse para usted.

Esta garantía le otorga derechos legales específicos. Puede también tener otros derechos que pueden variar según los estados.

3-Year
Manufacturer's
Warranty

Register your product online:

Scan the QR Code or go to
[https://bushfurniture.com/
activate-warranty/](https://bushfurniture.com/activate-warranty/)



Assembly tips & how to videos:

Scan the QR Code to access our video
guides [https://bushfurniture.com/
help-faq/#assembling](https://bushfurniture.com/help-faq/#assembling)

