

AXOR Universal Accessories

Dual Towel Bar

Finishes : **brushed nickel** Part no. : **42821820**



Description

Features

- Metal
- Wall-mounted
- Arms swivel independently

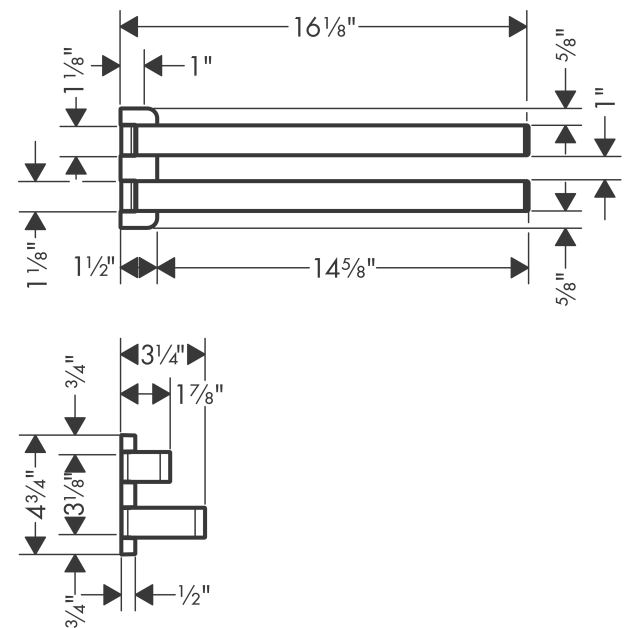
Design awards



Product image



Scale drawing



AXOR Universal Accessories

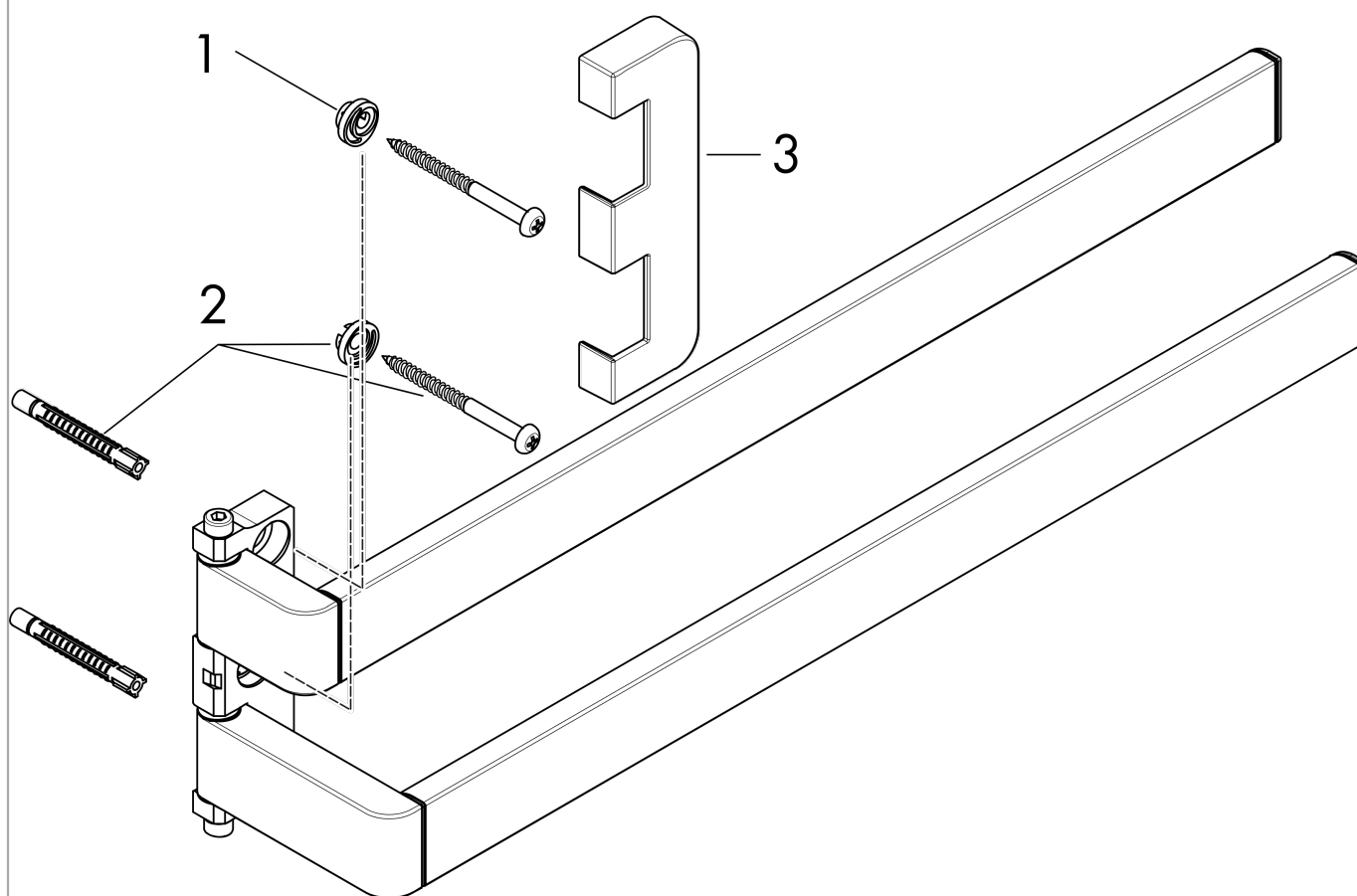
Dual Towel Bar

Finishes : brushed nickel Part no. : 42821820



Exploded drawing

Year of production: >04/16



AXOR Universal Accessories

Dual Towel Bar

Finishes : **brushed nickel** Part no. : **42821820**



Spare parts list

Year of production: >04/16

Pos.	Description	Part no.	PC	PU
1	excentric socket	97604000	0	1
2	mounting set	40915000	0	1
3	cover	92432820	0	1