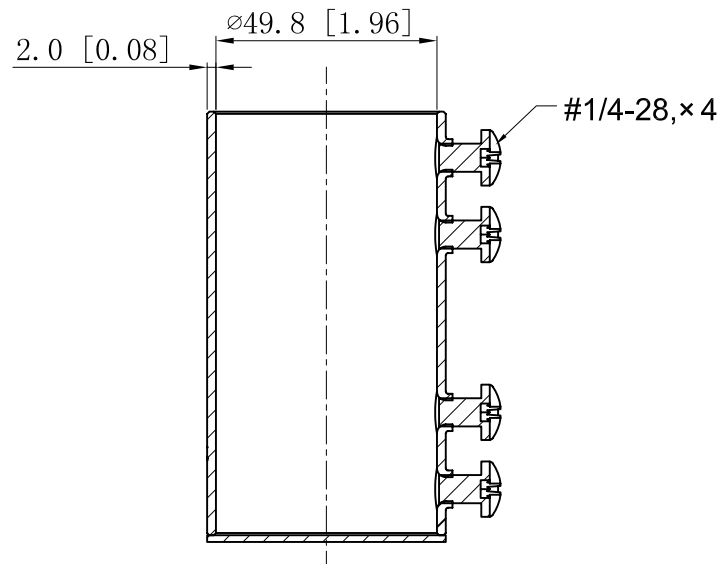
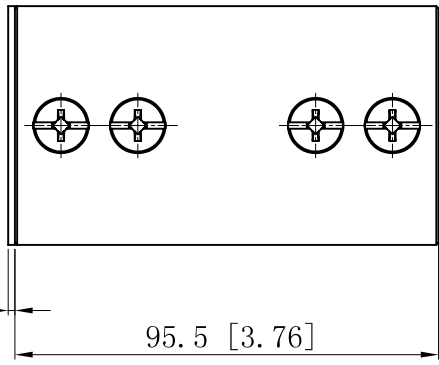
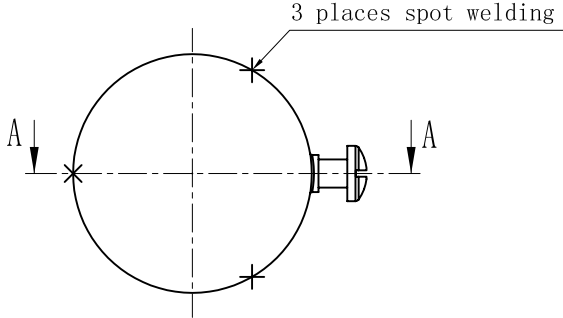


SIDES	BOTTOM
4 PCS #1/4-28×3/8 Screws Installed	
Material:Steel-WELDING TUBE Zinc Plated	



CUTAWAY VIEW A-A



This data sheet is for reference only .GARVIN INDUSTRIES reserves the right to make changes to the design without prior notice.

DESCRIPTION
TRADE REFERENCE TERMS

STANDARD PACKING
10 Pcs

<b>GARVIN INDUSTRIES</b>		
TITLE STEEL EMT SETREW COUPLINGS END CAPS TAMPERPROOF		
SIZE A4	DWG NO. CAPR150	REV
DATA SHEET		