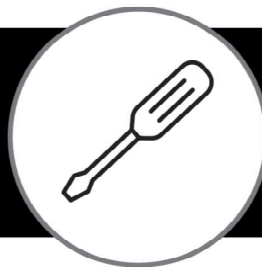


# Assembly Guide



**Bush**  
FURNITURE

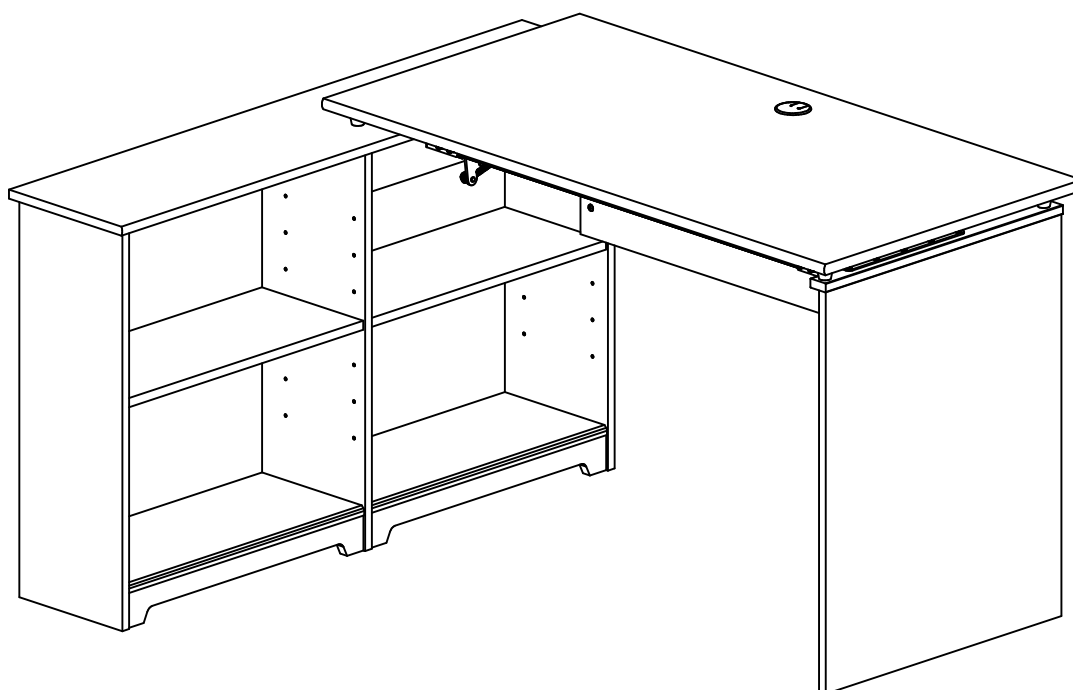


If you're having any difficulty during assembly of this product, don't hesitate to call us at **1-800-950-4782.**

Our customer service experts are trained to provide step-by-step instruction and can easily replace any missing or damaged parts.

**Representatives are available Monday-Friday from 8:30 a.m. to 7:30 p.m. (ET)**

## 52W Sit to Stand Corner Desk



Lot Code #

Instruction Sheet Number A210584A

Keep manual for future reference.

## For best results, keep these tips in mind:

- ① We know you want to finish this assembly as quickly as possible, but trust us: you'll have a better experience if you take it one step at a time.
- ② Give yourself some room to work near where you want the fully assembled product.
- ③ If your floor isn't carpeted, assemble this product on the empty carton to avoid scratching.
- ④ Do you have a friend who owes you a favor? Some steps may go a little easier with a second set of hands.

## DOs

- ✔ Use a #2 Phillips head screwdriver (or other handheld tools as indicated)
- ✔ Wear safety glasses at all times during assembly
- ✔ Carefully follow the instructions in this guide and complete all steps in order
- ✔ Give us a call if you're having trouble with a particularly tricky step

## DON'Ts

- ✘ We know power tools are quick and easy, but you shouldn't use them when assembling this product (unless otherwise specified)
- ✘ Never move your furniture with items inside or resting on the surface
- ✘ Do not attempt to use this product before all steps have been completed

## Watch assembly videos right on your phone or computer!



Some steps include QR codes that link to helpful videos. Watch out for the icon below! Simply open up your smartphone camera to scan the code.

*(Users of older smartphones may need to install a QR Reader.)*

### SCAN HERE



FOR VIDEOS

Or visit <https://bushfurniture.com/help-faq/#assembling>



# IMPORTANT SAFETY INFORMATION



## PLEASE READ WARNINGS

Improper use can cause safety hazards, or damage to your furniture and household items.

Warning	Do	Don't	Why it's important
<b>Serious injury may occur.</b>	<ul style="list-style-type: none"><li>Assemble following all instructions using all indicated parts and hardware provided.</li></ul>	<ul style="list-style-type: none"><li>Do not move unit when loaded.</li><li>Do not load with a television or other heavy equipment.</li><li>Do not exceed the maximum load limits stated in the instructions.</li><li>Do not sit or stand on adjustable height work surface.</li></ul>	Improper assembly, use or loading can lead to product instability, tip-over or collapse.
<b>Serious injury may occur.</b>	<ul style="list-style-type: none"><li>Maintain 1 inch (25mm) clearance between desk and all other furniture at all times.</li></ul>	<ul style="list-style-type: none"><li>Do not place hands close to the mechanism when lifting or lowering the work surface.</li></ul>	Pinch points exist in the mechanism and may be created by placing the desk too close to other furniture and objects.

Advertencia	Hacer	No	Por qué es importante
<b>Se pueden producir lesiones graves.</b>	<ul style="list-style-type: none"><li>Ensamble siguiendo todas las instrucciones utilizando todas las piezas y ferretería indicados provistos.</li></ul>	<ul style="list-style-type: none"><li>No mueva la unidad cuando esté cargada.</li><li>No cargue con un televisor u otro equipo pesado.</li><li>No exceda los límites máximos de carga establecidos en las instrucciones.</li><li>No se siente ni se pare sobre una superficie de trabajo de altura ajustable.</li></ul>	El ensamblaje, uso o carga inadecuados pueden provocar inestabilidad del producto, vuelco o colapso.
<b>Se pueden producir lesiones graves.</b>	<ul style="list-style-type: none"><li>Mantenga un espacio de 1 pulgada (25 mm) entre el escritorio y todos los demás muebles en todo momento.</li></ul>	<ul style="list-style-type: none"><li>No coloque las manos cerca del mecanismo cuando levante o baje la superficie de trabajo.</li></ul>	Existen puntos de pellizco en el mecanismo y pueden crearse colocando el escritorio demasiado cerca de otros muebles y objetos.

## IMPORTANT SAFETY INFORMATION



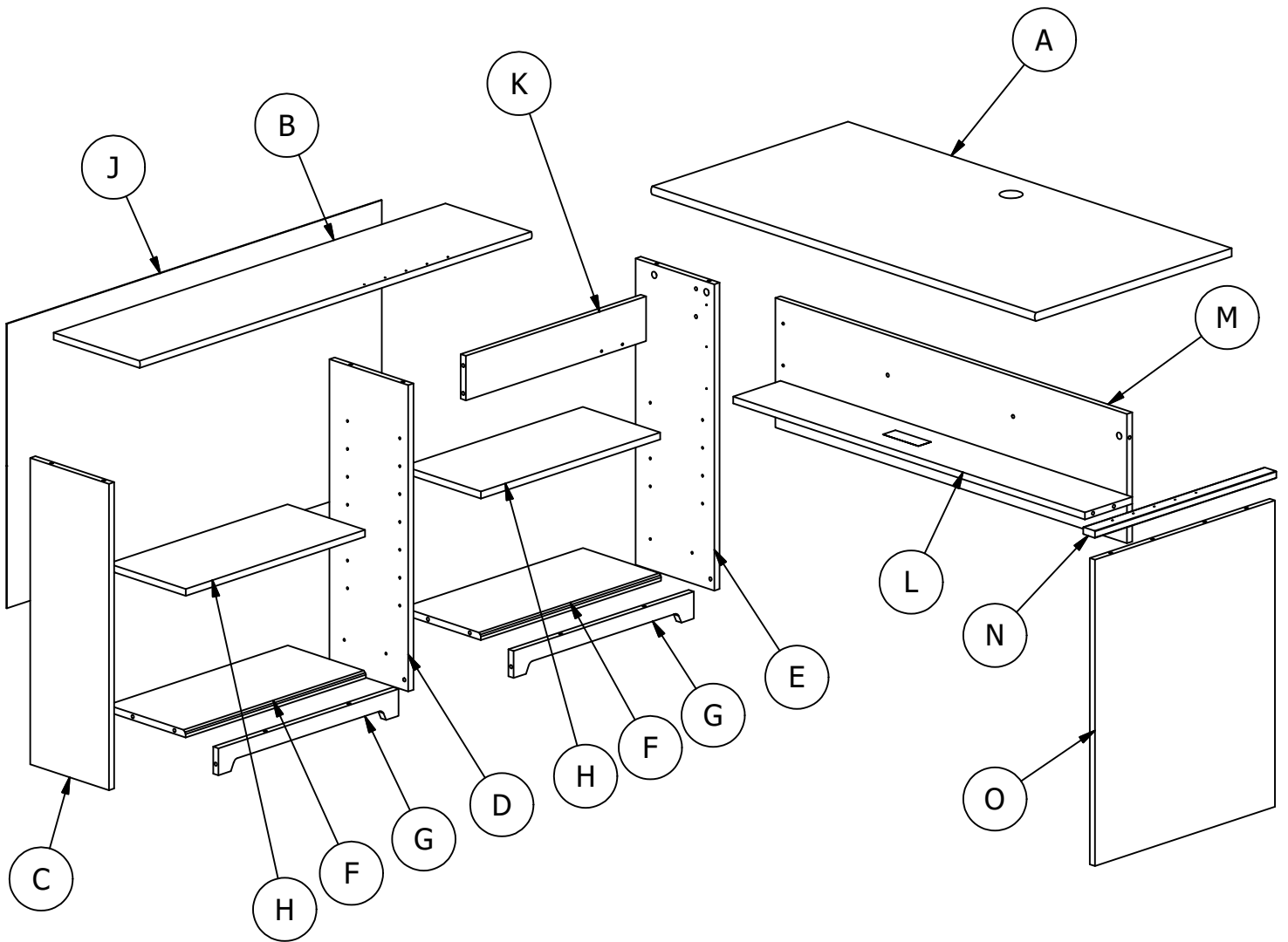
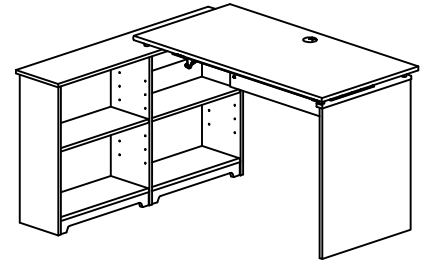
# PLEASE READ WARNINGS

Improper use can cause safety hazards, or damage to your furniture and household items.

Avertissement	Faire	Ne le fais pas	Pourquoi c'est important
<b>Des blessures graves peuvent survenir.</b>	<ul style="list-style-type: none"><li>Assemblez en suivant toutes les instructions en utilisant toutes les pièces et le matériel indiqués fournis.</li></ul>	<ul style="list-style-type: none"><li>Ne déplacez pas l'unité lorsqu'elle est chargée.</li><li>Ne chargez pas avec un téléviseur ou un autre équipement lourd.</li><li>Ne dépassez pas les limites de charge maximale indiquées dans les instructions.</li><li>Ne vous asseyez pas ou ne vous tenez pas debout sur une surface de travail à hauteur réglable.</li></ul>	Un assemblage, une utilisation ou un chargement incorrects peuvent entraîner une instabilité du produit, un renversement ou un effondrement.
<b>Des blessures graves peuvent survenir.</b>	<ul style="list-style-type: none"><li>Maintenez un espace de 1 pouce (25 mm) entre le bureau et tous les autres meubles en tout temps.</li></ul>	<ul style="list-style-type: none"><li>Ne placez pas les mains près du mécanisme lorsque vous soulevez ou abaissez la surface de travail.</li></ul>	Des points de pincement existent dans le mécanisme et peuvent être créés en plaçant le bureau trop près d'autres meubles et objets.

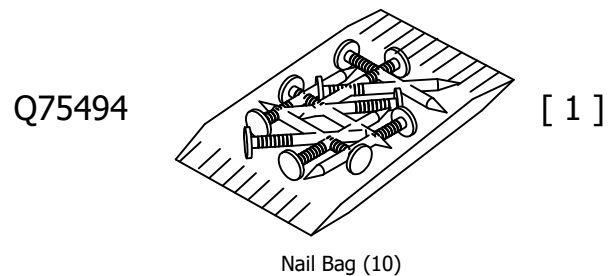
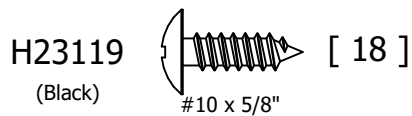
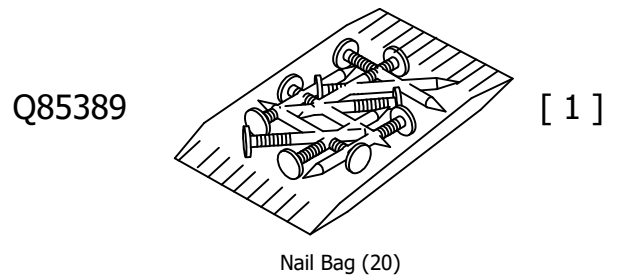
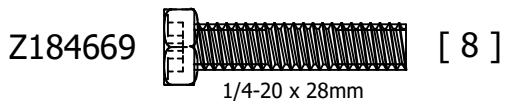
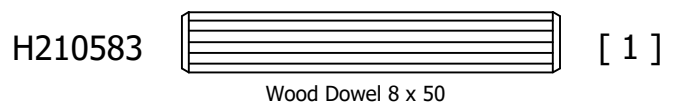
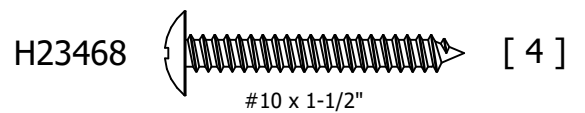
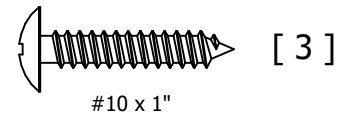
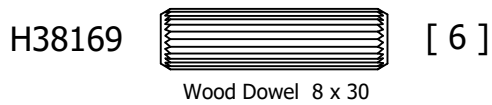
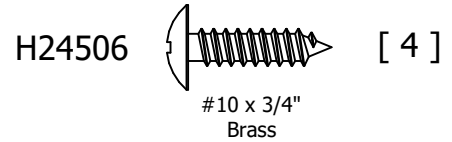
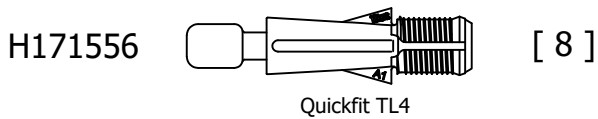
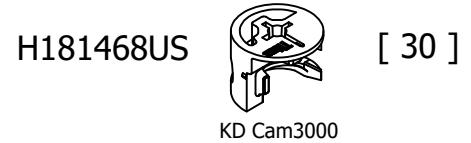
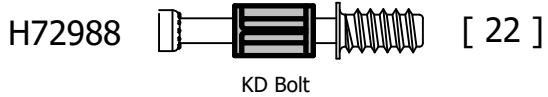
# Get to know your Boards

A210584A



Have an assembly question or need a replacement part? Just call  
**1-800-950-4782**, we are here to help.

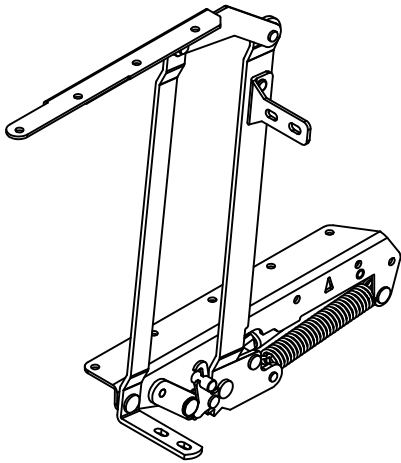
Fasteners are shown actual size.



Have an assembly question or need a replacement part? Just call  
**1-800-950-4782**, we are here to help.

Hardware not to scale.

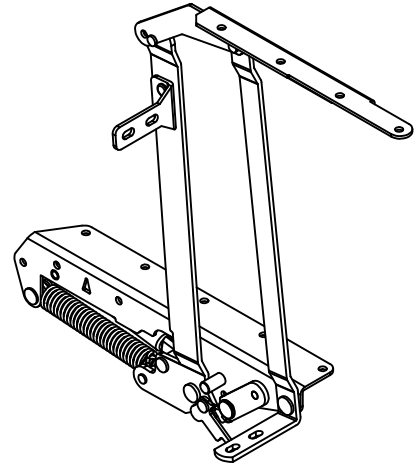
Z184667



[ 1 ]

Left Side Mechanism

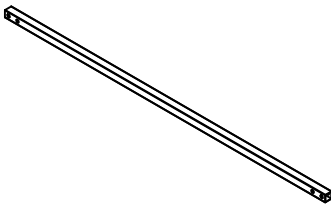
Z184666



[ 1 ]

Right Side Mechanism

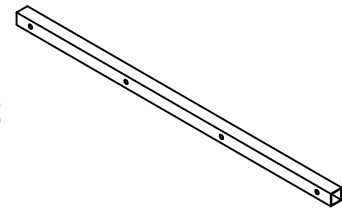
H189068



[ 2 ]

Connecting Bar

H181315



[ 1 ]

Stiffener

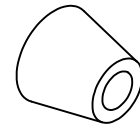
H23604



[ 8 ]

Shelf Pin

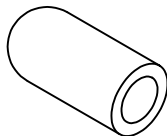
H184655



[ 4 ]

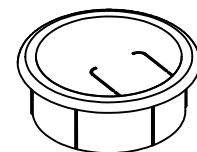
Bumper

H126396



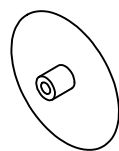
[ 8 ]

Shelf Pin Sleeve



[ 1 ]

Grommet



[ 9 ]

Cover Cap

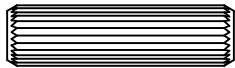
Have an assembly question or need a replacement part? Just call  
**1-800-950-4782**, we are here to help.

# STEP 1

## Prepare Panels

A210584A

H38169



[ 4 ]

Wood Dowel 8 x 30

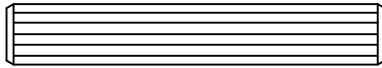
H72988



[ 4 ]

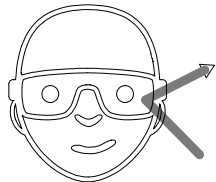
KD Bolt

H210583

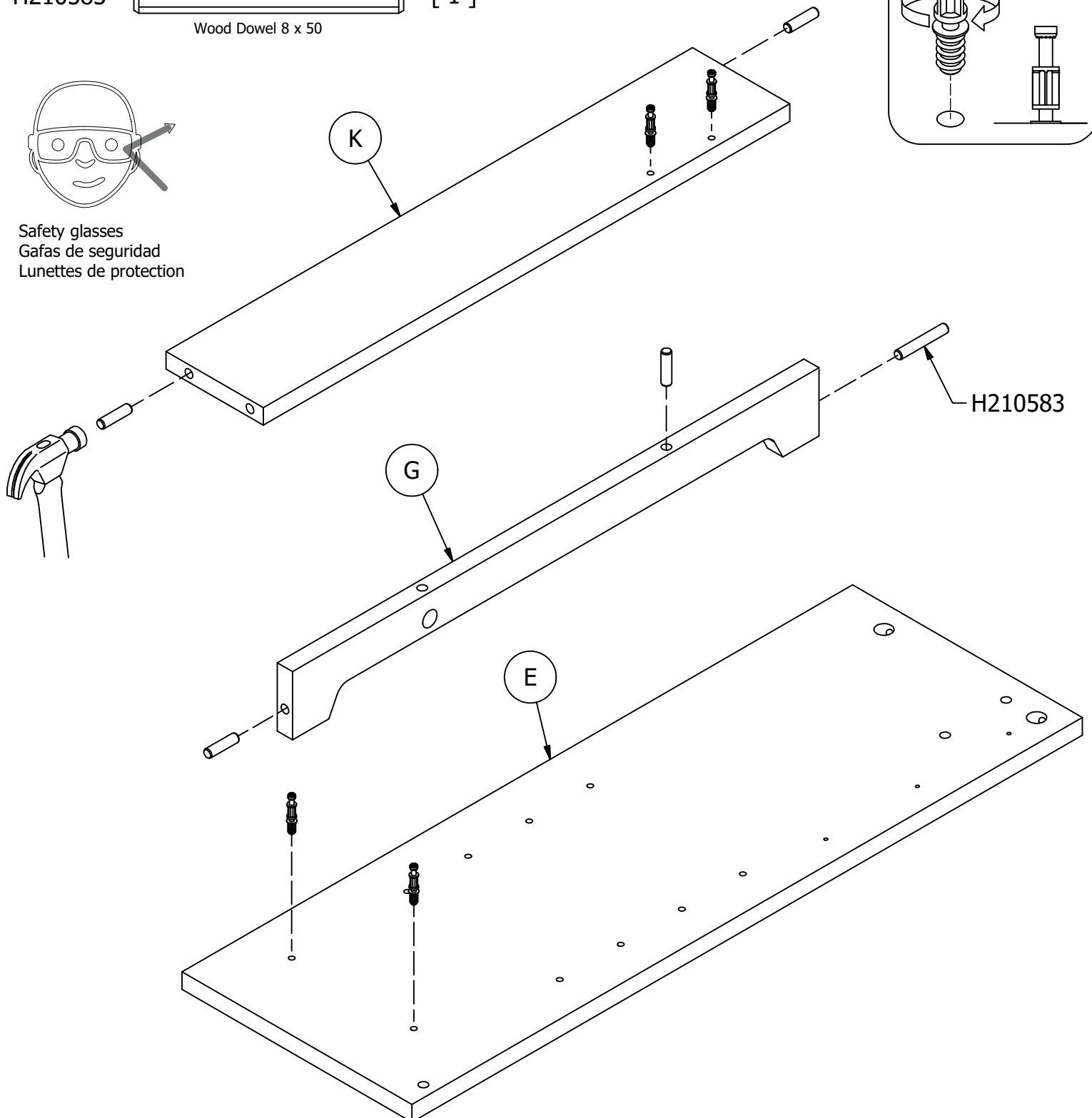
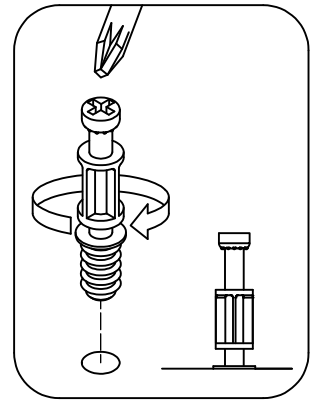


[ 1 ]

Wood Dowel 8 x 50



Safety glasses  
Gafas de seguridad  
Lunettes de protection



Have an assembly question or need a replacement part? Just call  
**1-800-950-4782**, we are here to help.

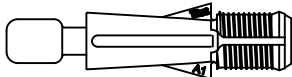


# STEP 2

## Prepare Panels

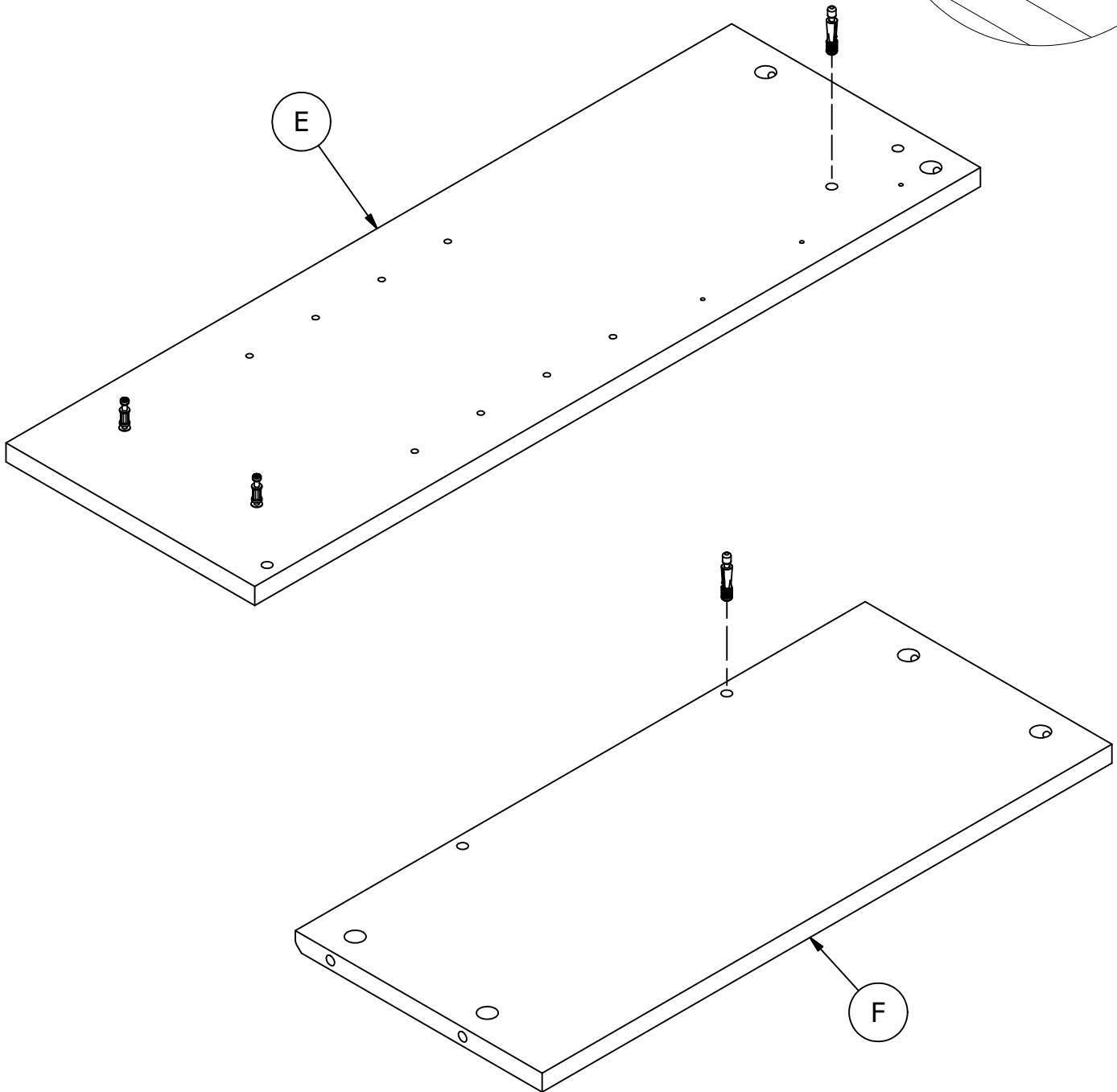
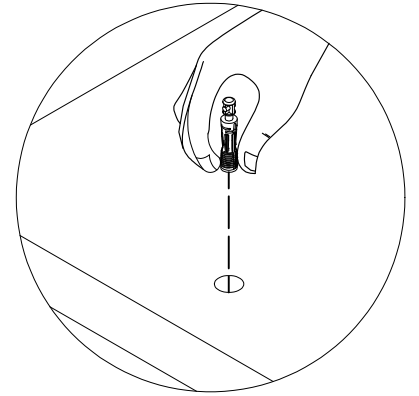
A210584A

H171556



Quickfit TL4

[ 2 ]



Have an assembly question or need a replacement part? Just call  
**1-800-950-4782**, we are here to help.

# STEP 3

# Assemble Panels

A210584A

Scan QR Code to Watch Video on:

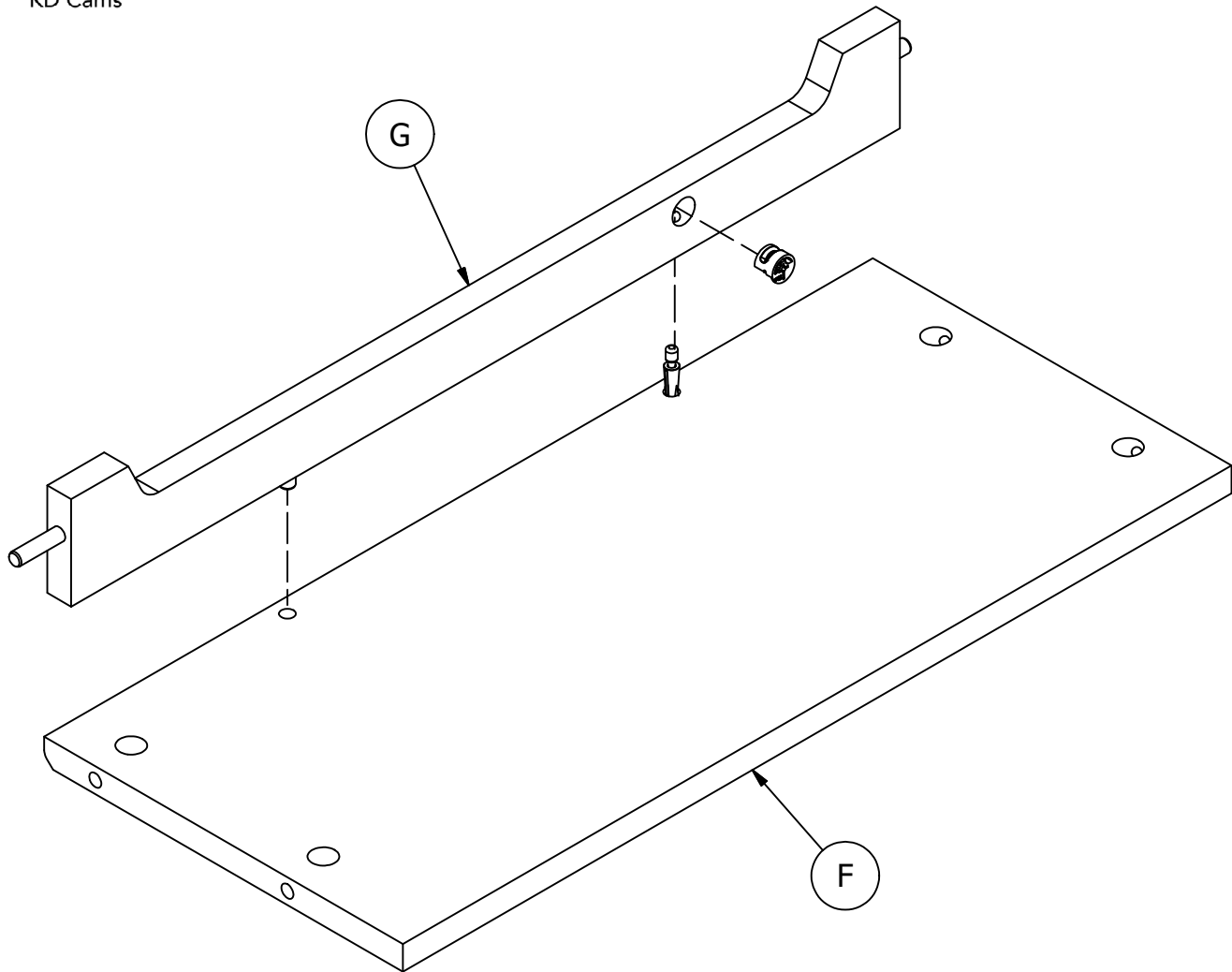
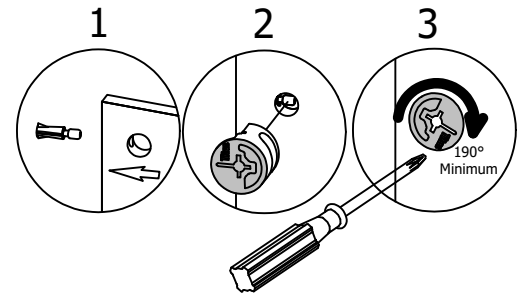


How to Tighten KD Cams

H181468US



[ 1 ]



Have an assembly question or need a replacement part? Just call **1-800-950-4782**, we are here to help.

# STEP 4

# Assemble Panels

A210584A

Scan QR Code to Watch Video on:

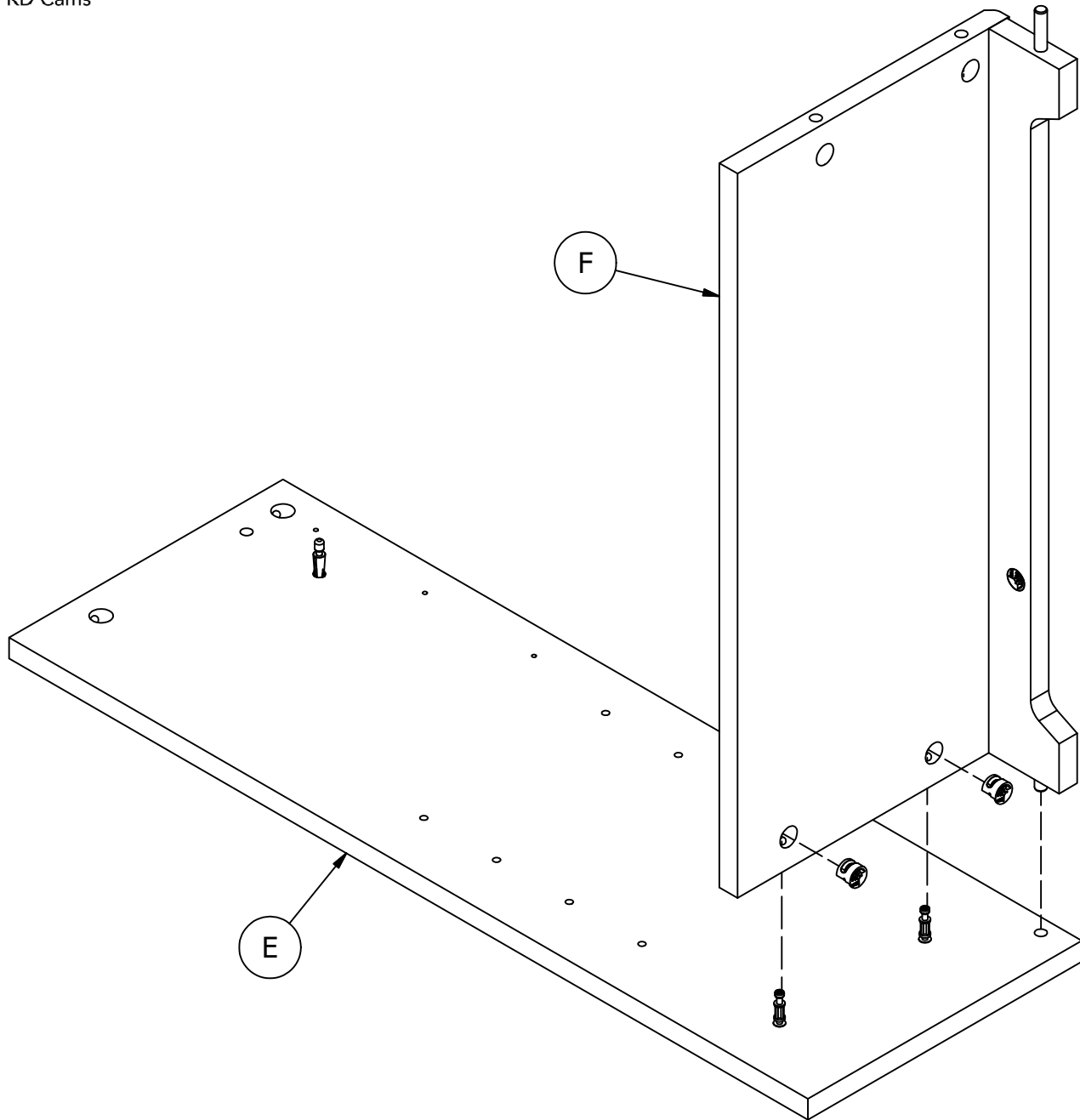
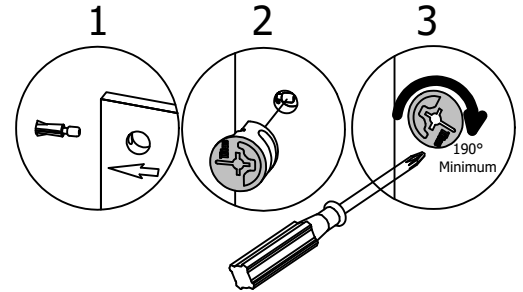


How to Tighten KD Cams

H181468US



[ 2 ]



Have an assembly question or need a replacement part? Just call **1-800-950-4782**, we are here to help.

# STEP 5

# Assemble Panels

A210584A

Scan QR Code to Watch Video on:



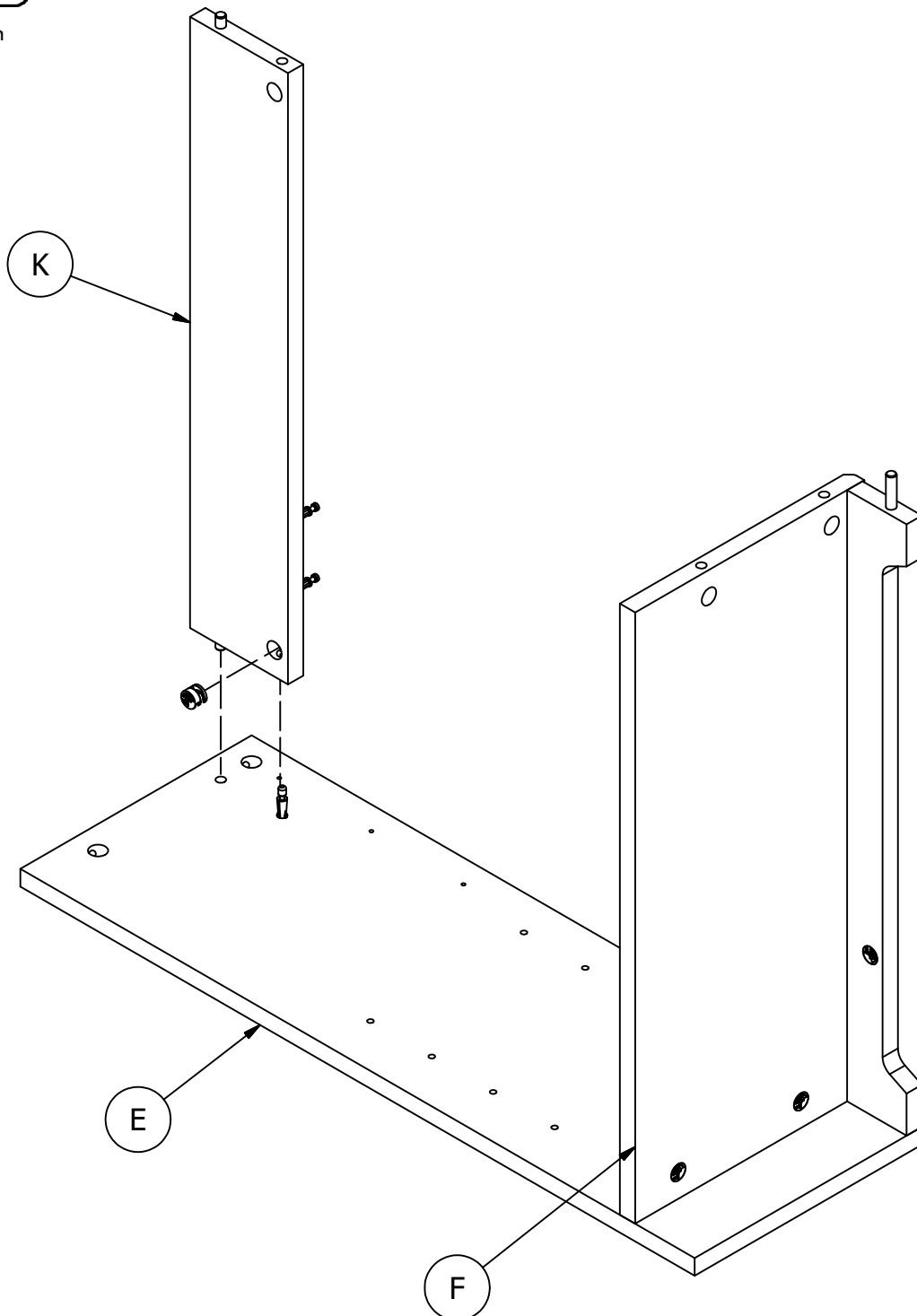
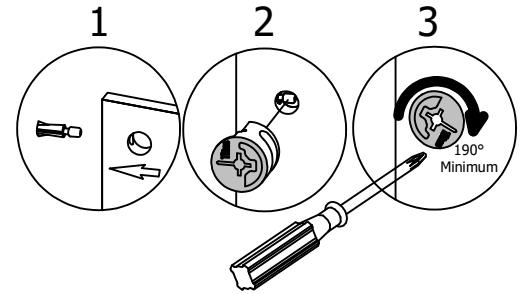
How to Tighten KD Cams

H181468US



KD Cam3000

[ 1 ]

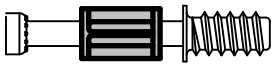


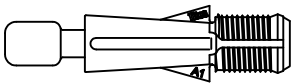
Have an assembly question or need a replacement part? Just call **1-800-950-4782**, we are here to help.

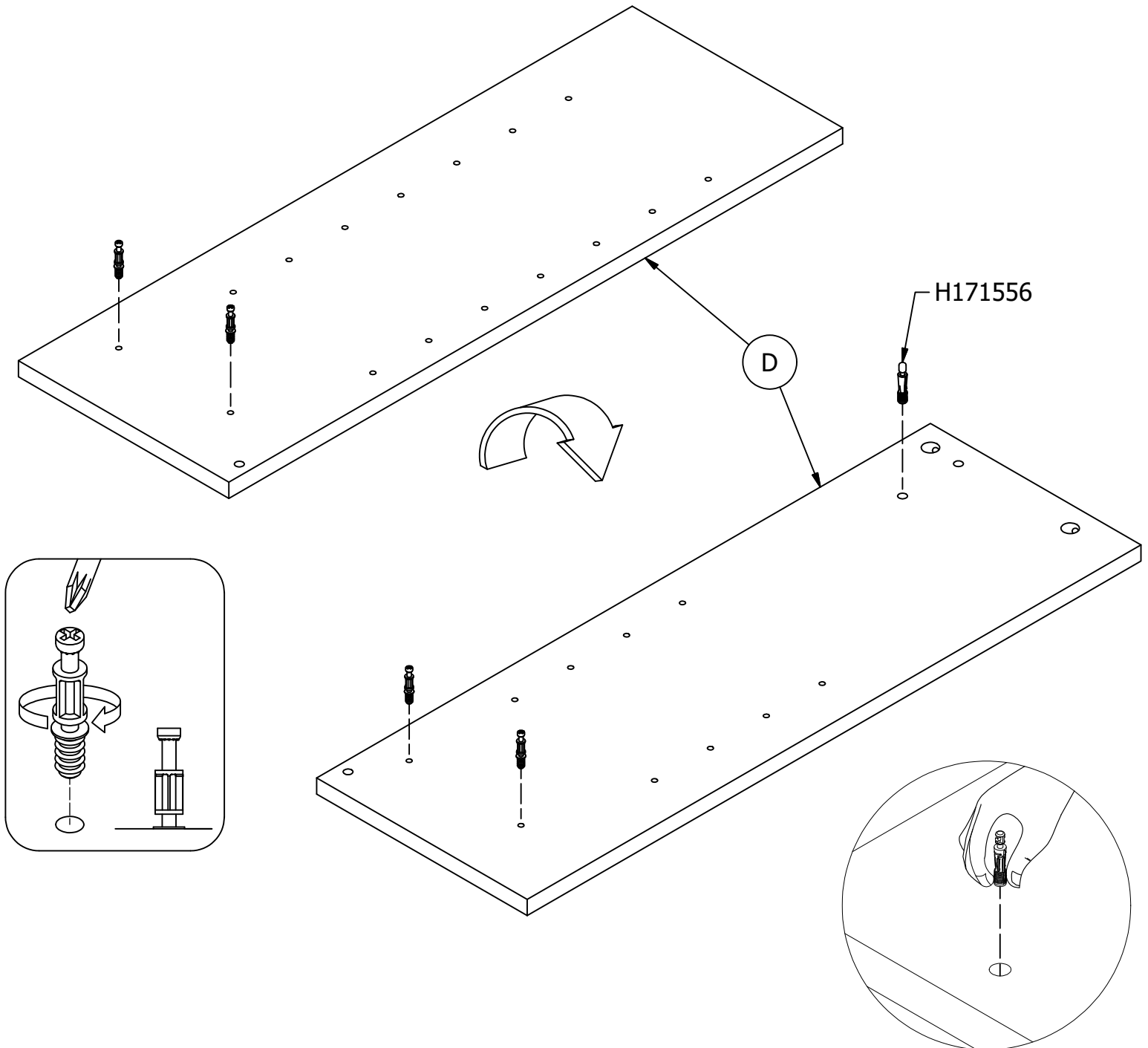
# STEP 6

# Prepare Panel

A210584A

H72988  [ 4 ]  
KD Bolt

H171556  [ 1 ]  
Quickfit TL4



Have an assembly question or need a replacement part? Just call  
**1-800-950-4782**, we are here to help.

# STEP 7

## Assemble Panels

A210584A

Scan QR Code to Watch Video on:



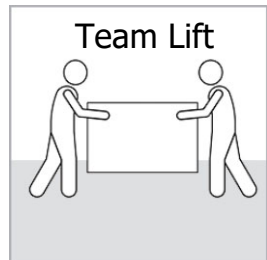
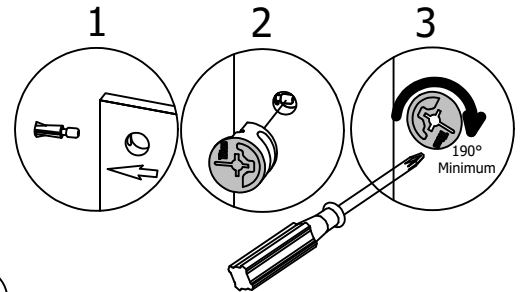
How to Tighten KD Cams

H181468US

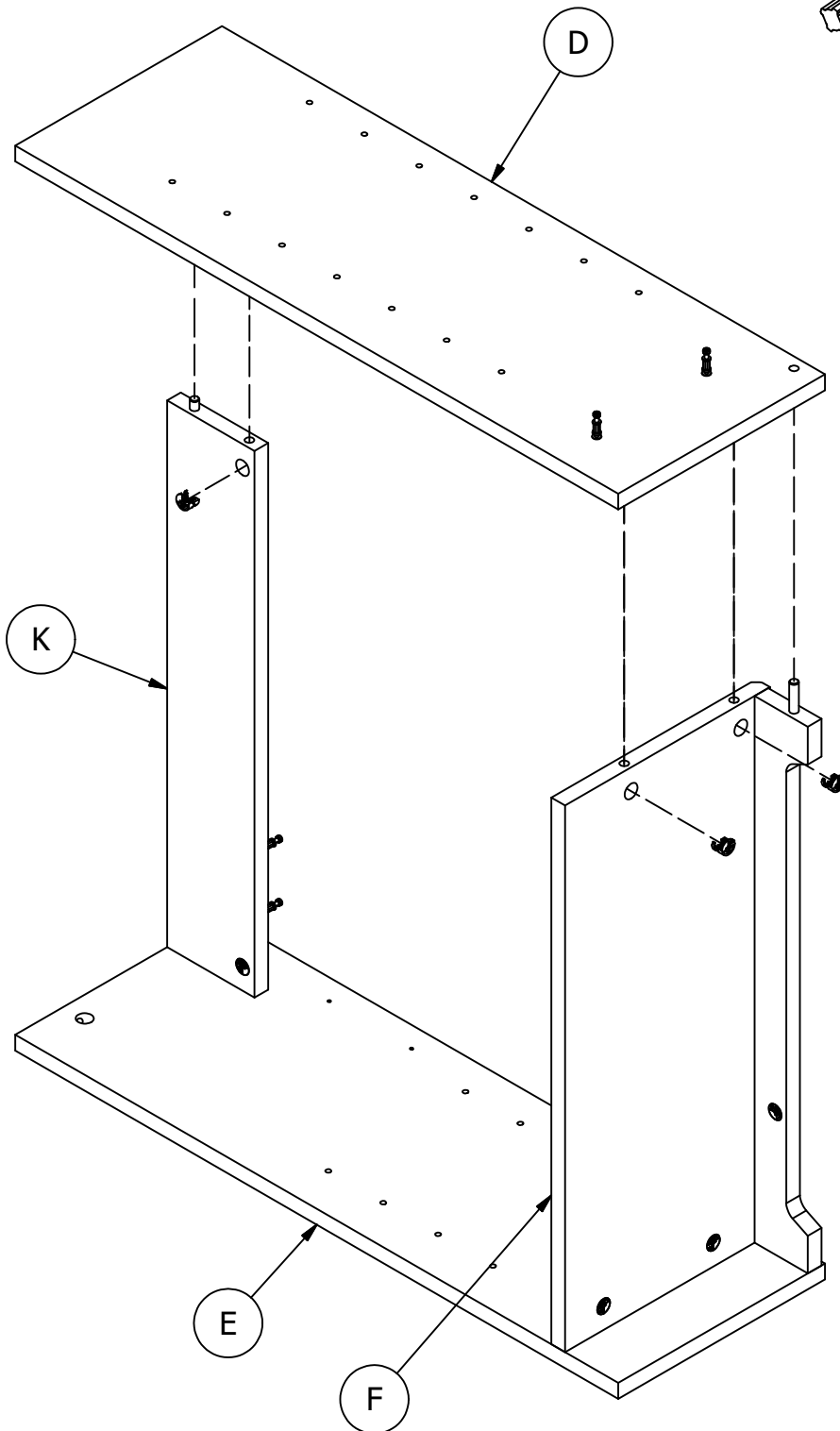


KD Cam3000

[ 3 ]



Team Lift



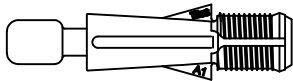
Have an assembly question or need a replacement part? Just call **1-800-950-4782**, we are here to help.

# STEP 8

## Prepare Panels

A210584A

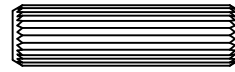
H171556



Quickfit TL4

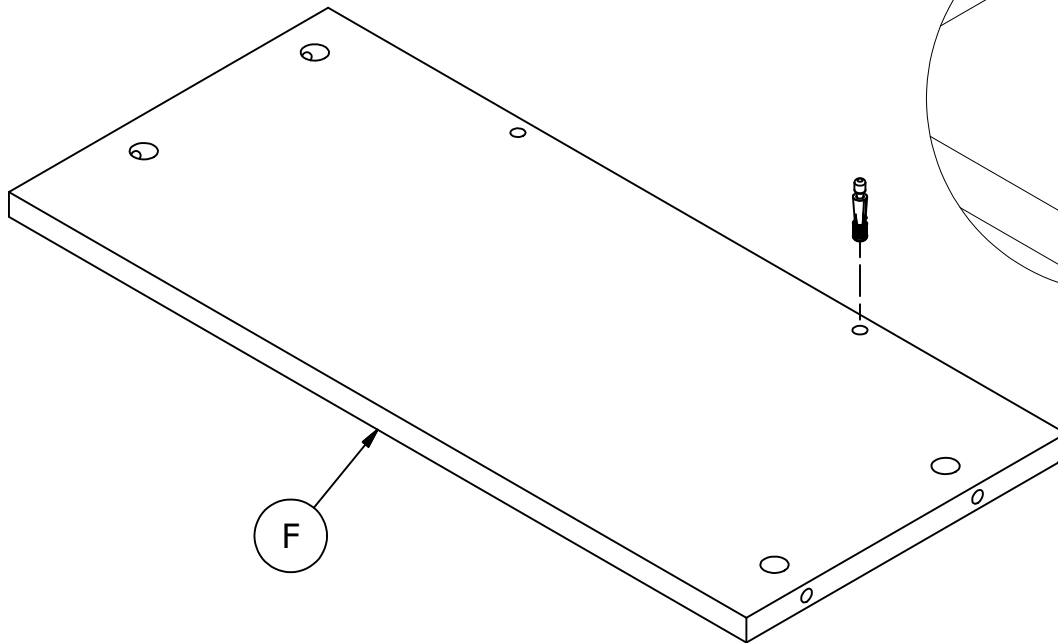
[ 1 ]

H38169

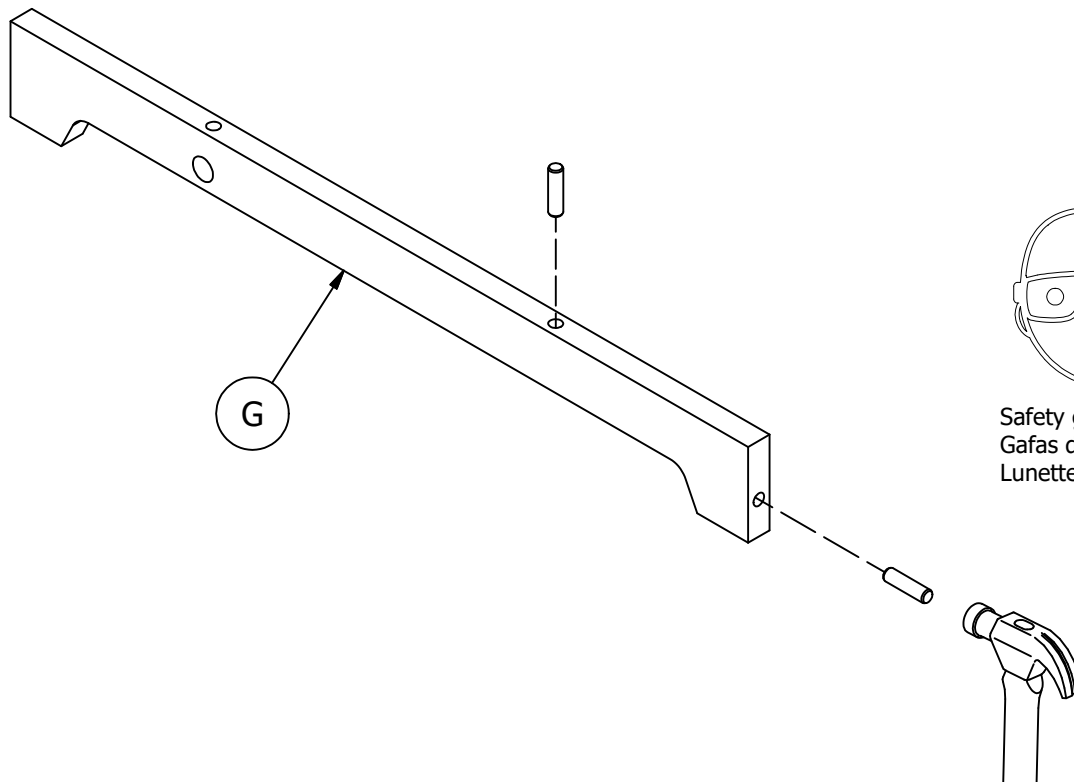


Wood Dowel 8 x 30

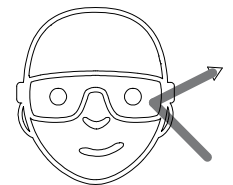
[ 2 ]



F



G



Safety glasses  
Gafas de seguridad  
Lunettes de protection

Have an assembly question or need a replacement part? Just call  
**1-800-950-4782**, we are here to help.

# STEP 9

# Assemble Panels

A210584A

Scan QR Code to Watch Video on:



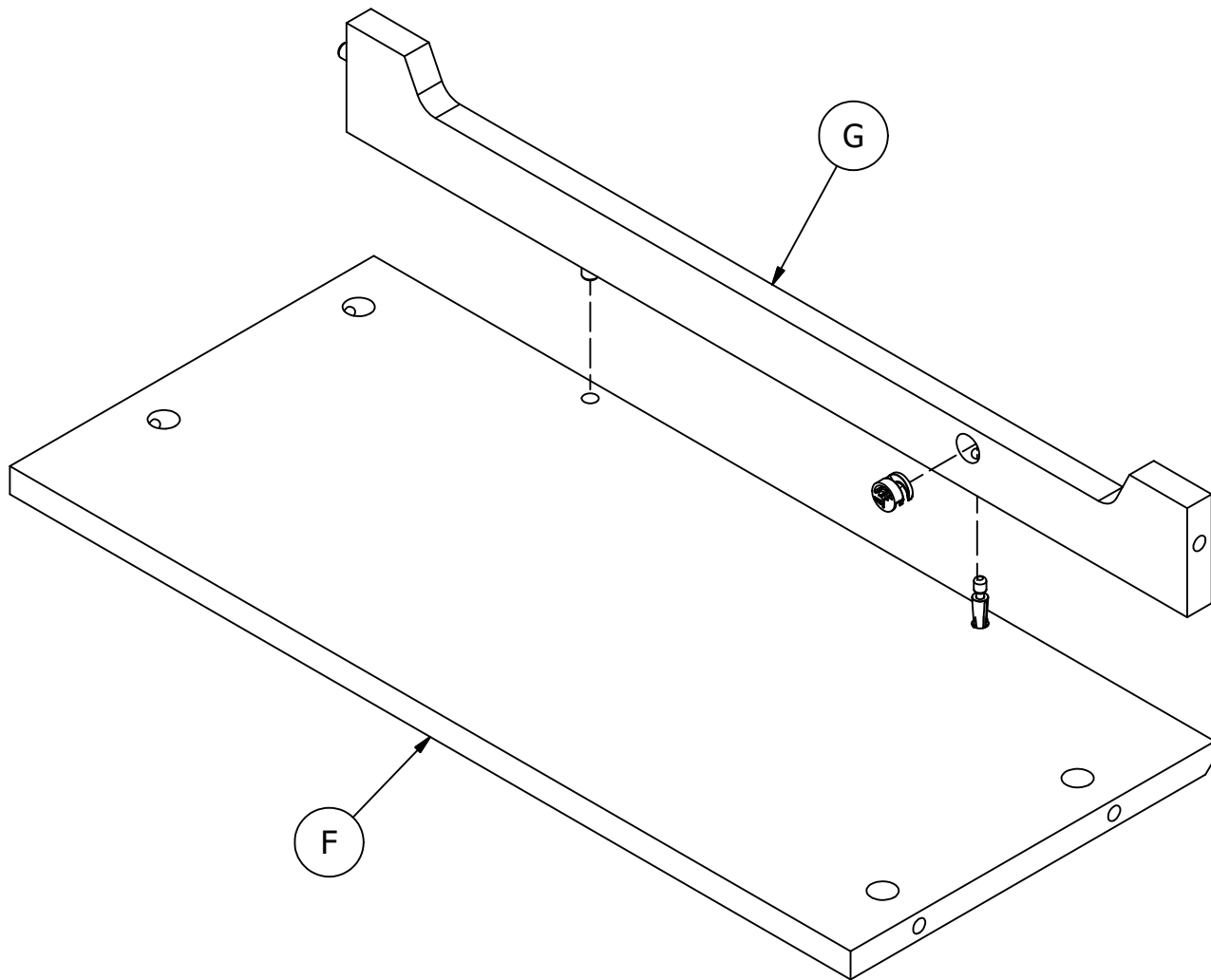
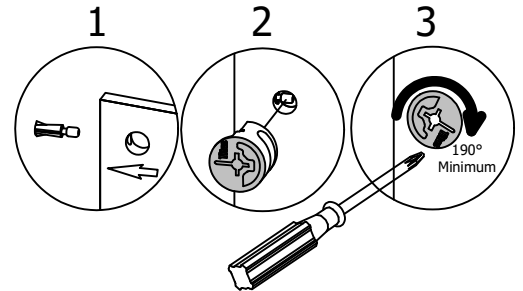
How to Tighten KD Cams

H181468US



KD Cam3000

[ 1 ]



Have an assembly question or need a replacement part? Just call **1-800-950-4782**, we are here to help.



# STEP 10

# Assemble Panels

A210584A

Scan QR Code to Watch Video on:

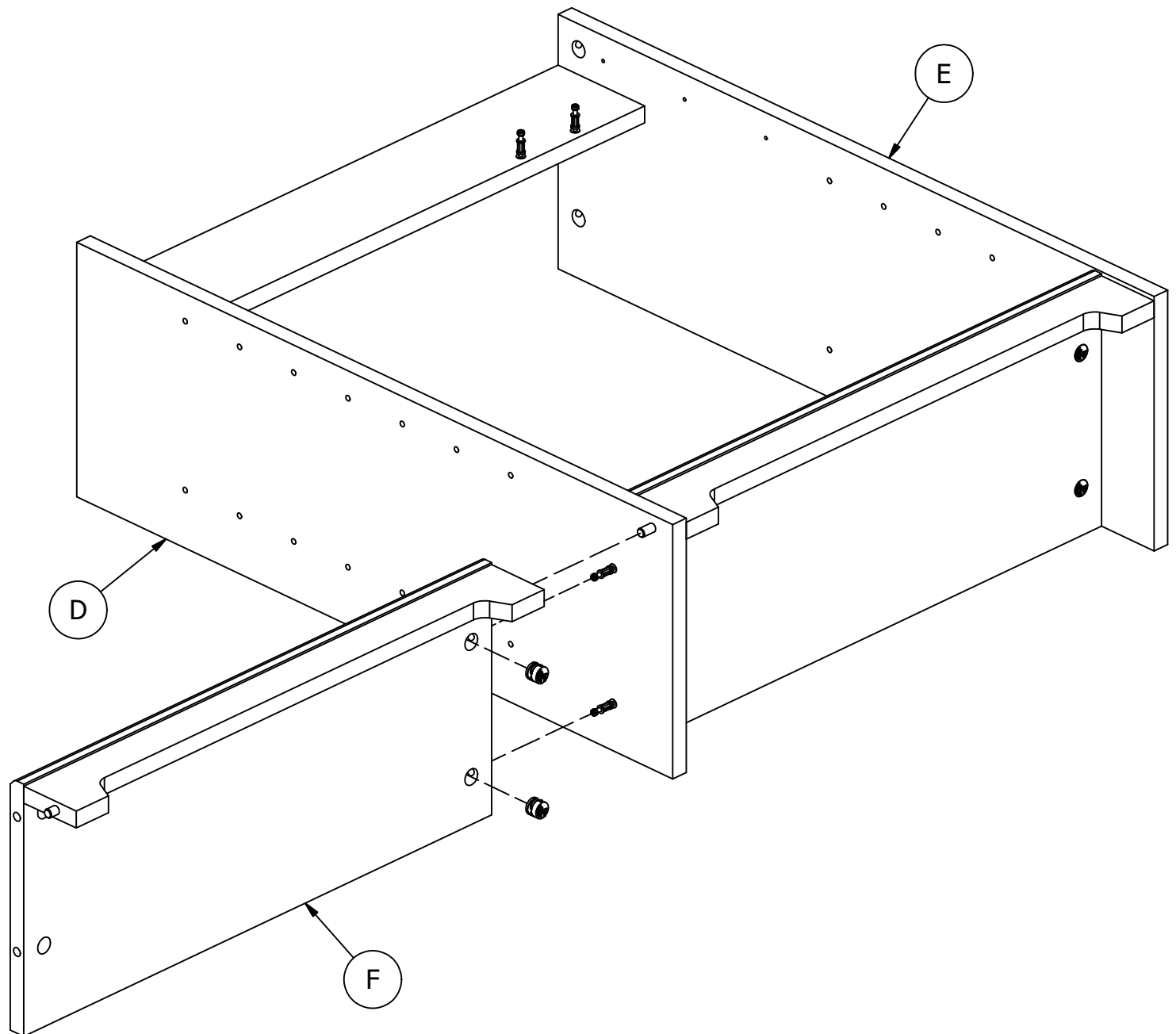
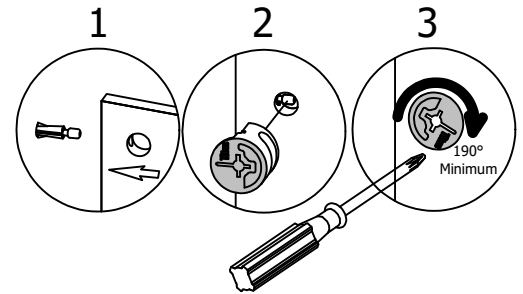


How to Tighten KD Cams

H181468US



[ 2 ]



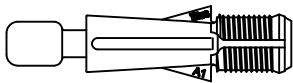
Have an assembly question or need a replacement part? Just call **1-800-950-4782**, we are here to help.

# STEP 11

# Prepare Panels

A210584A

H171556



Quickfit TL4

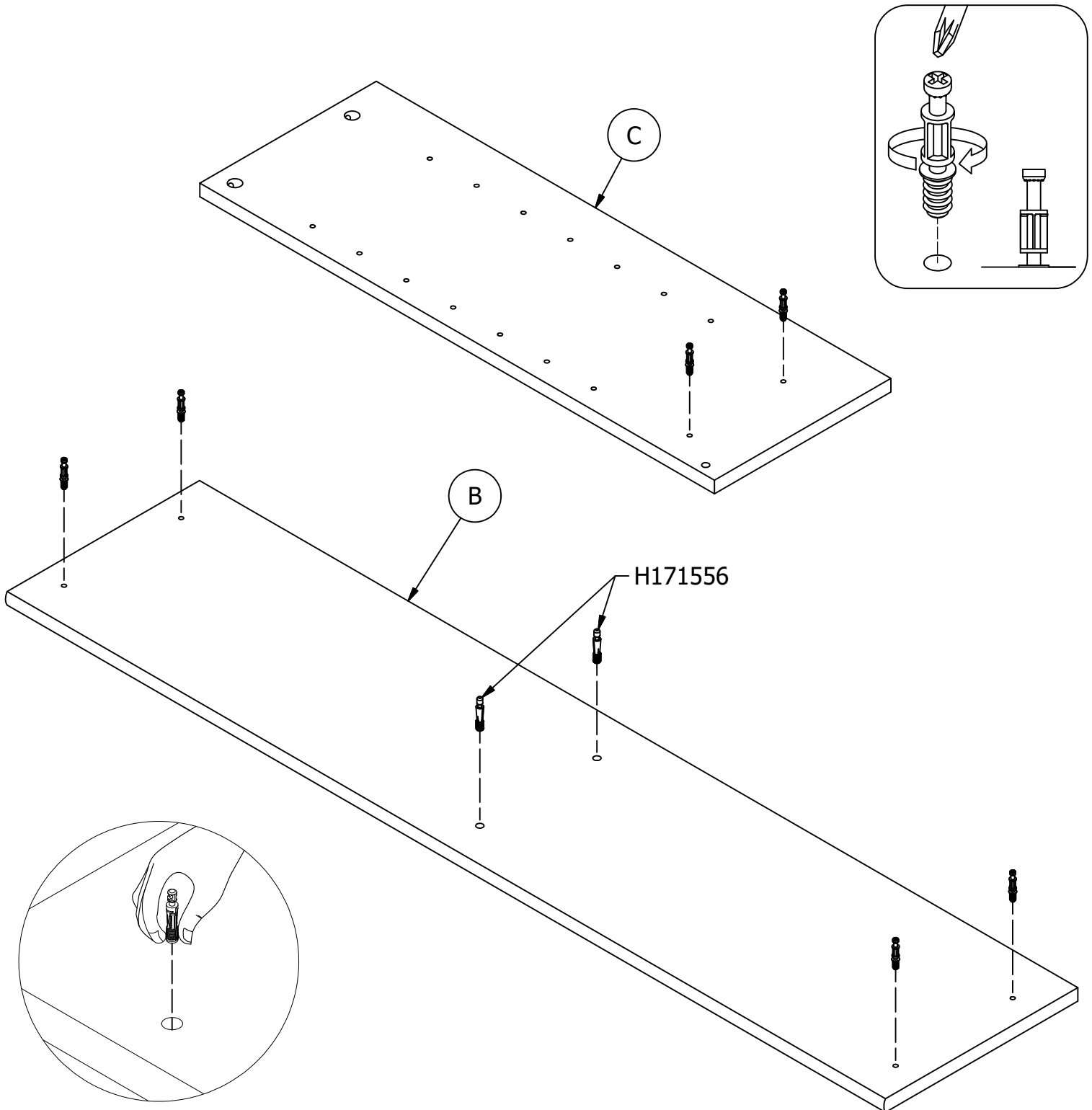
[ 2 ]

H72988



KD Bolt

[ 6 ]



Have an assembly question or need a replacement part? Just call **1-800-950-4782**, we are here to help.

# STEP 12

# Assemble Panels

A210584A

Scan QR Code to Watch Video on:

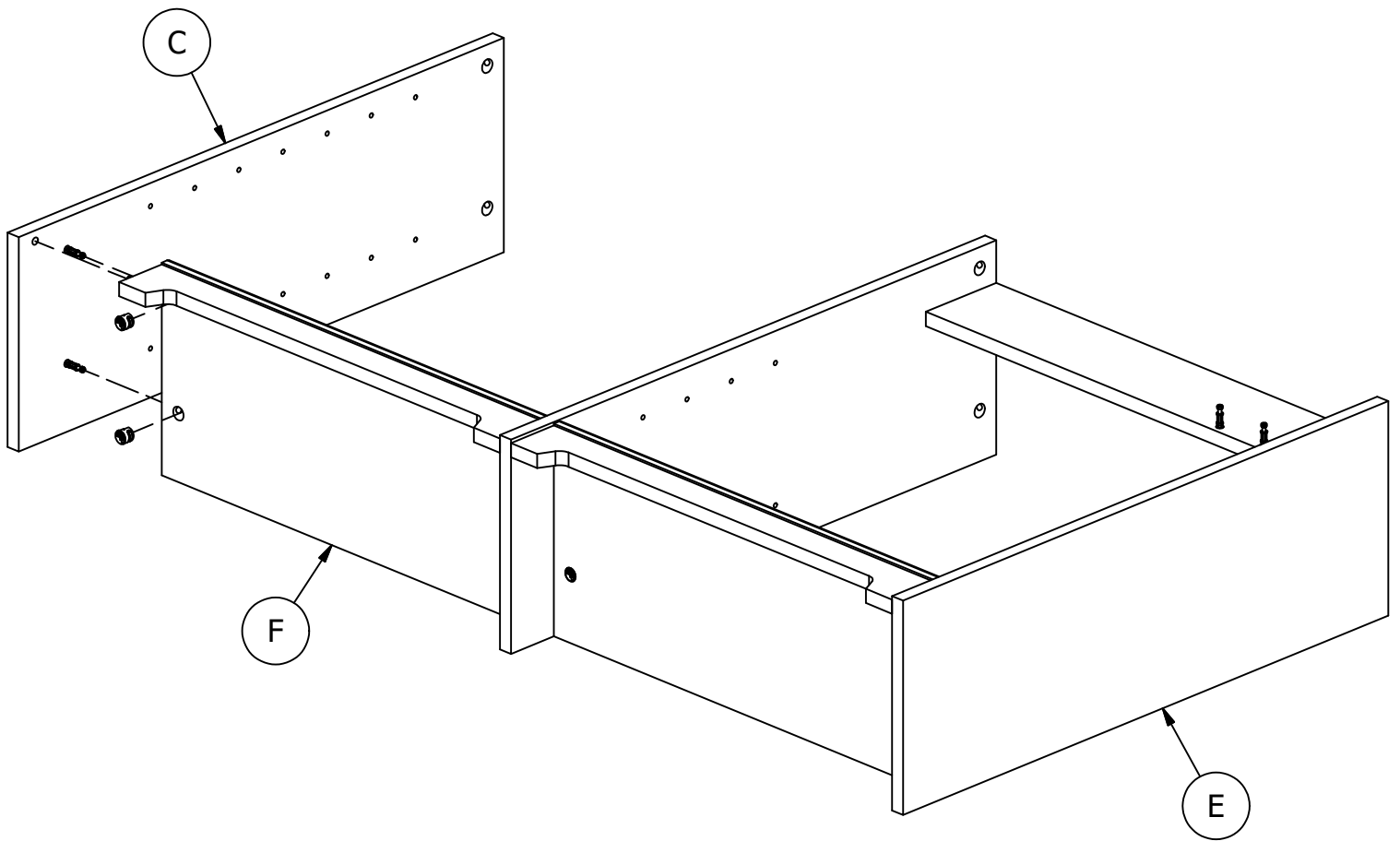
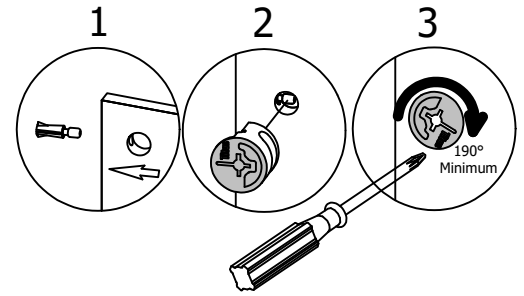


How to Tighten KD Cams

H181468US



[ 2 ]



Have an assembly question or need a replacement part? Just call **1-800-950-4782**, we are here to help.

# STEP 13

# Assemble Panels

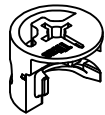
A210584A

Scan QR Code to Watch Video on:



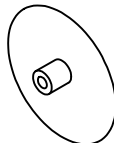
How to Tighten KD Cams

H181468US



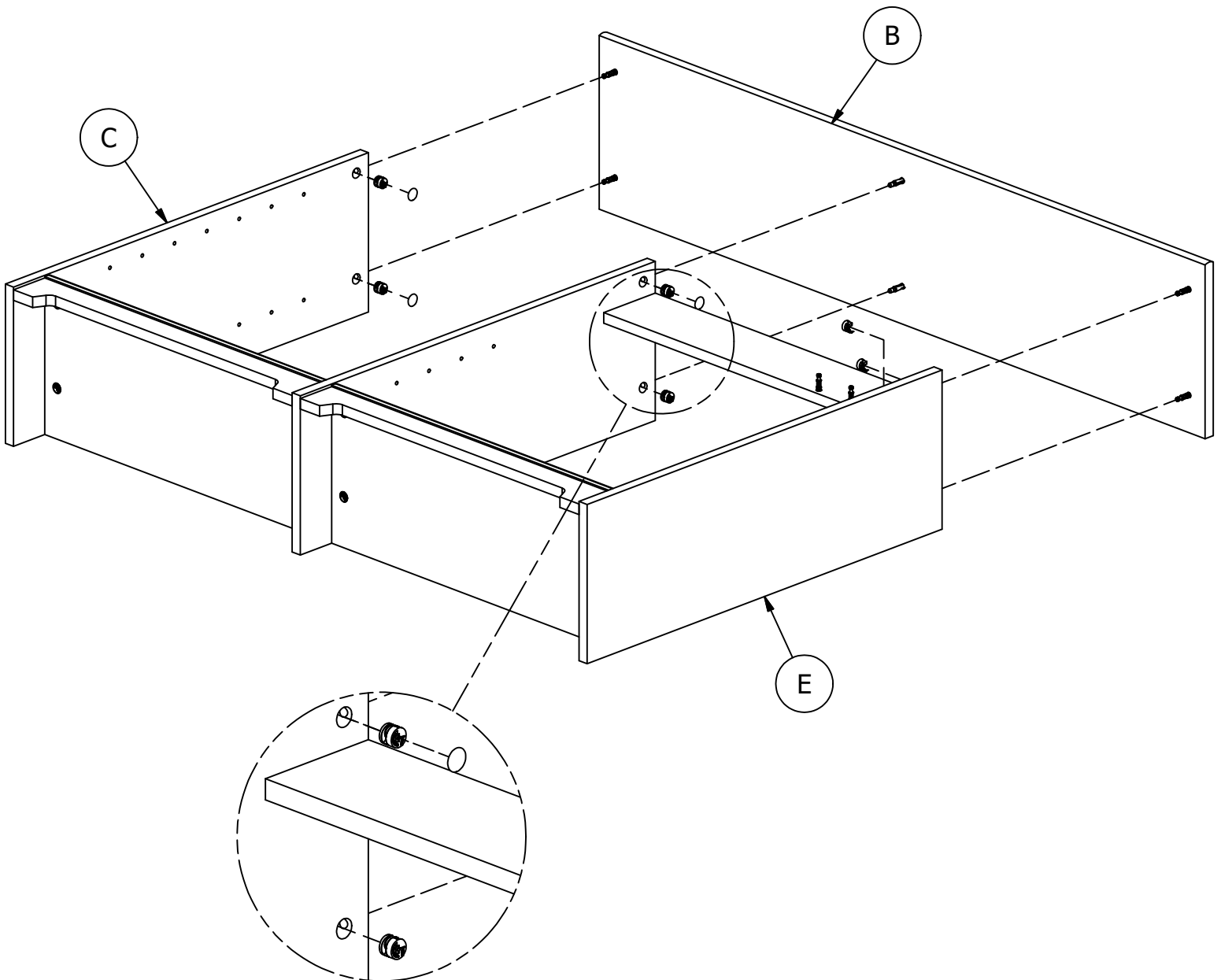
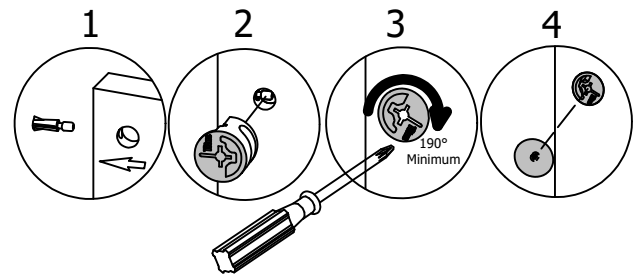
KD Cam3000

[ 6 ]

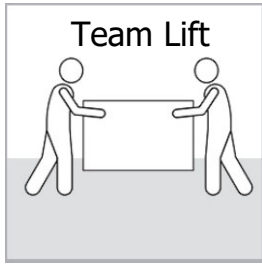


Cover Cap

[ 3 ]

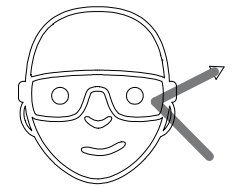


Have an assembly question or need a replacement part? Just call **1-800-950-4782**, we are here to help.

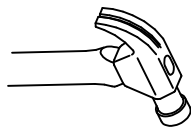


With assistant, carefully flip unit over.  
Con el asistente, voltee cuidadosamente la unidad.  
Avec l'assistant, retourner soigneusement l'unité.

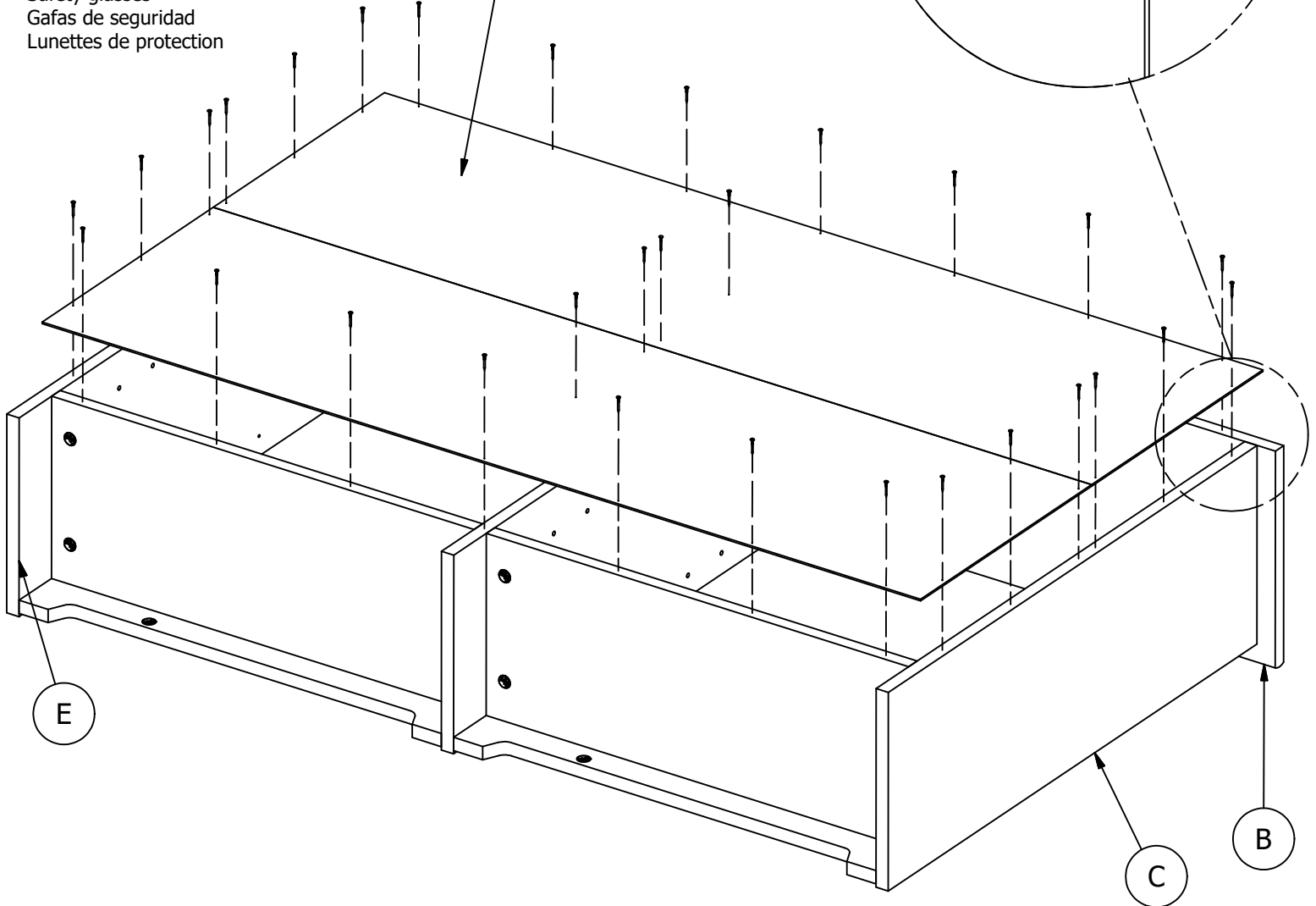
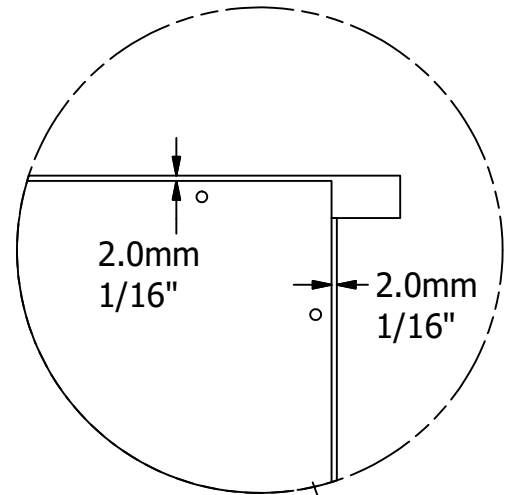
H34174  [ 30 ]  
Nail 19mm



Safety glasses  
Gafas de seguridad  
Lunettes de protection



J



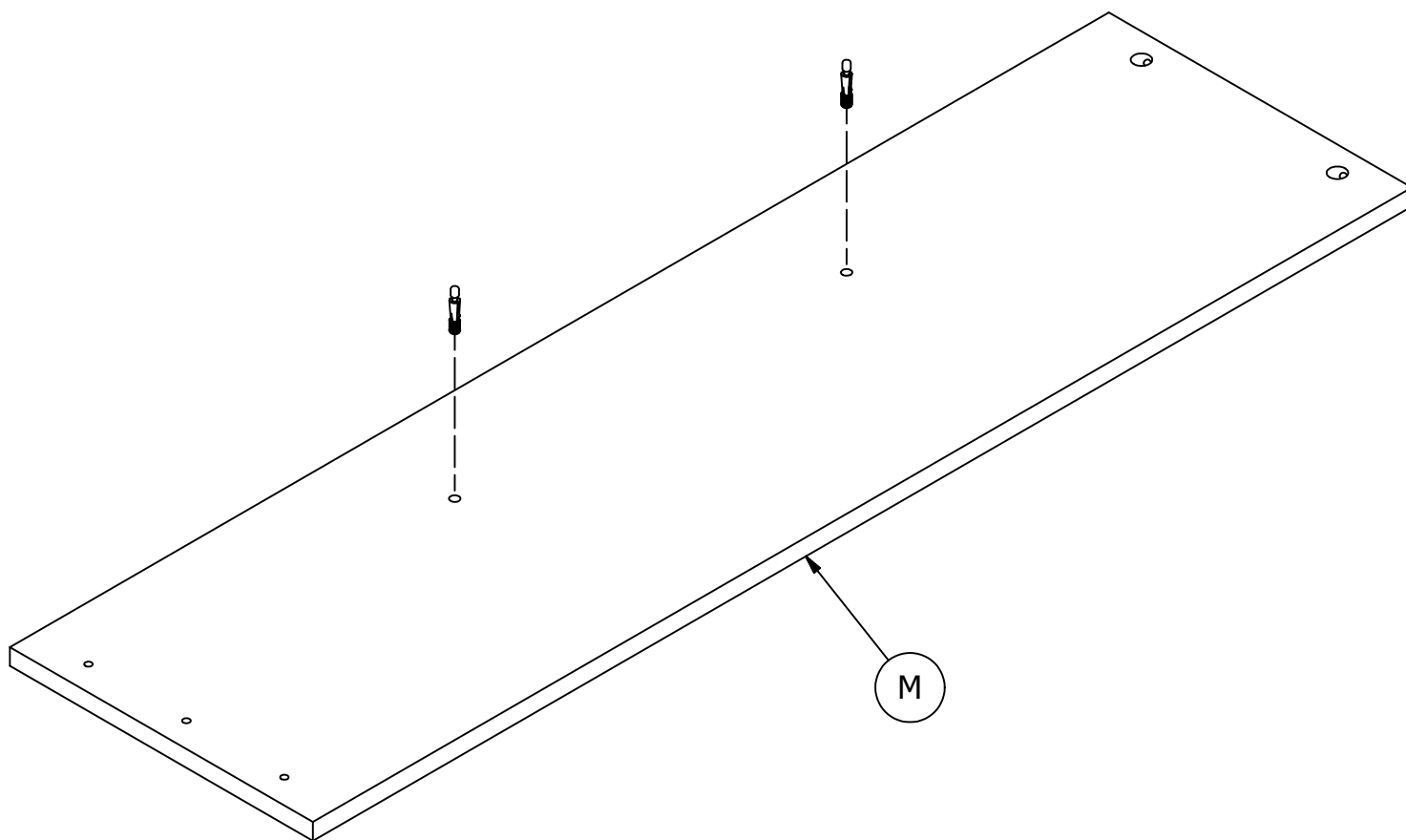
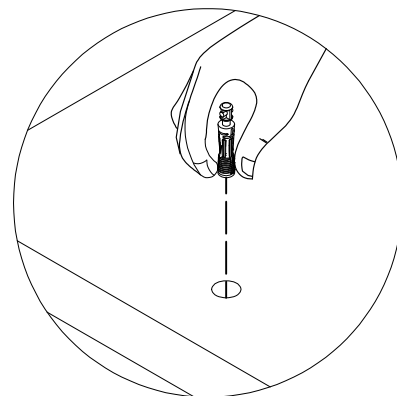
Have an assembly question or need a replacement part? Just call  
**1-800-950-4782**, we are here to help.

H171556



Quickfit TL4

[ 2 ]



Have an assembly question or need a replacement part? Just call **1-800-950-4782**, we are here to help.

Scan QR Code to Watch Video on:

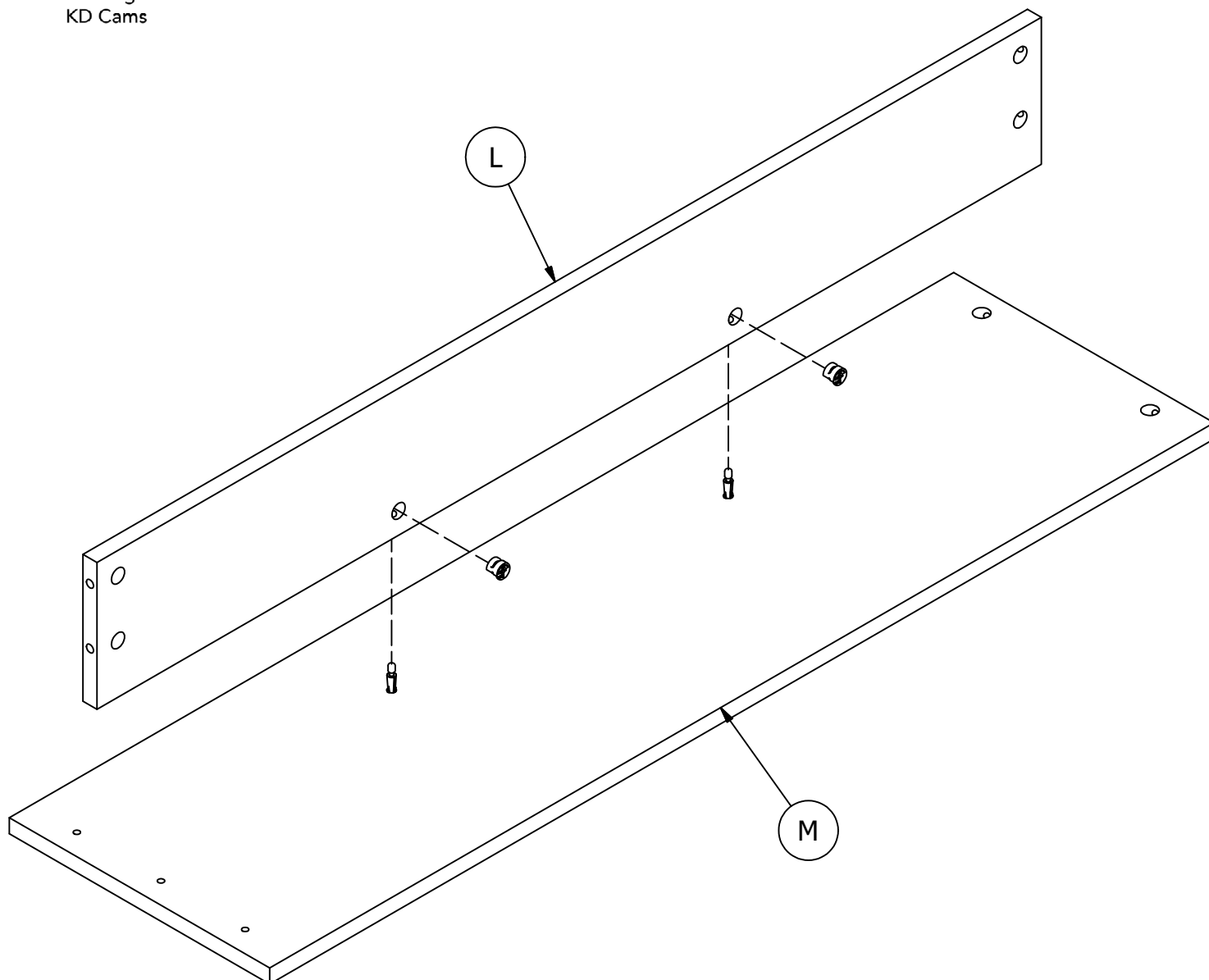
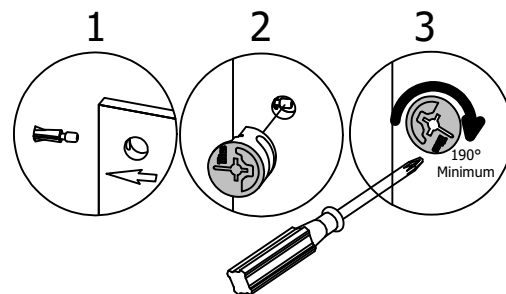


How to Tighten KD Cams

H181468US

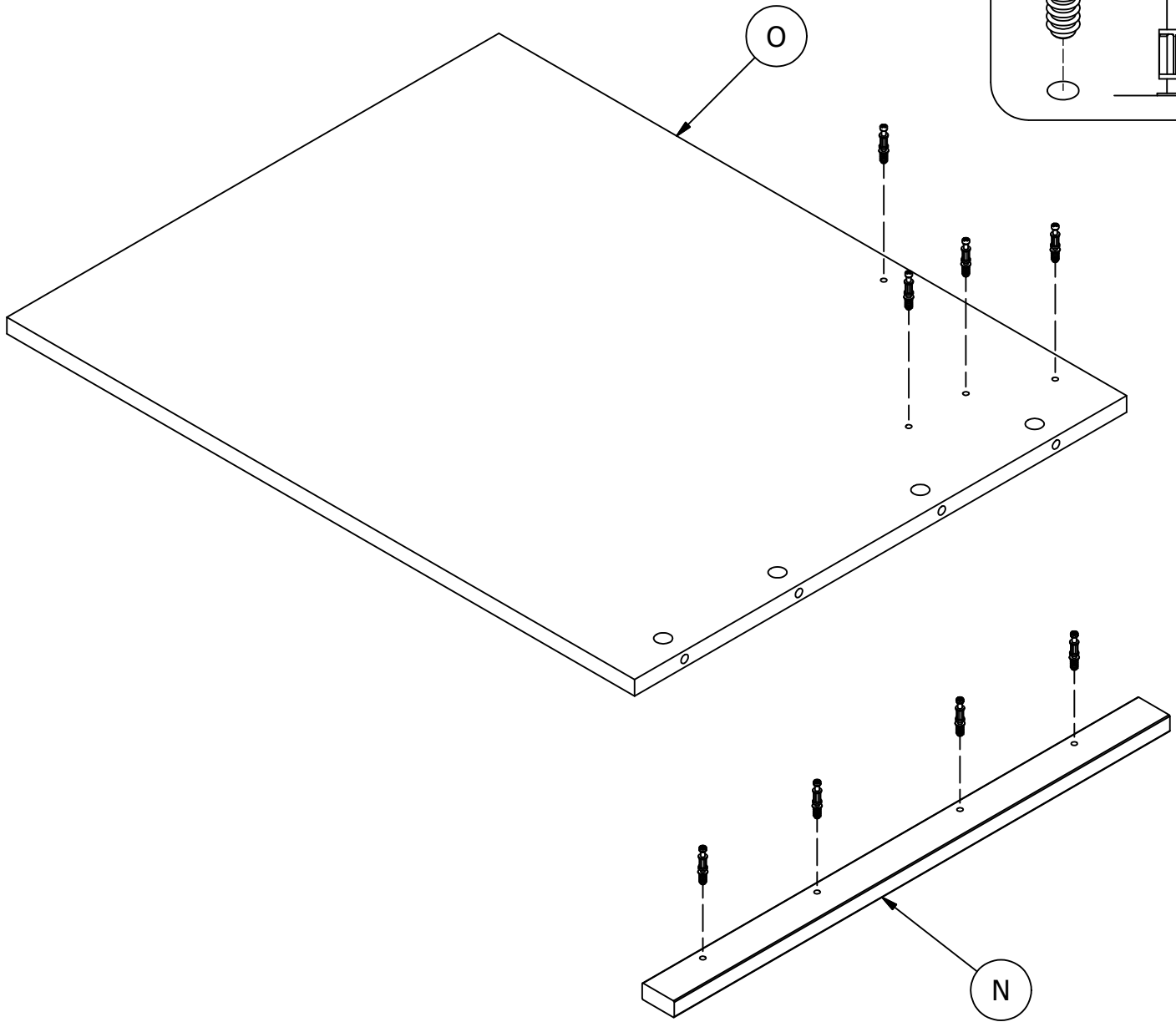
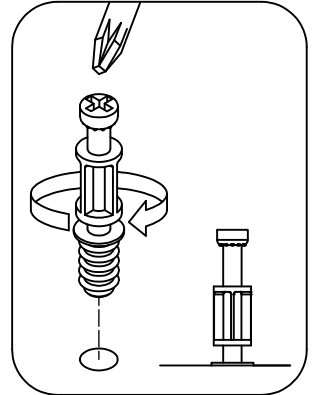


[ 2 ]



Have an assembly question or need a replacement part? Just call **1-800-950-4782**, we are here to help.

H72988 [ 8 ]  
KD Bolt



Have an assembly question or need a replacement part? Just call  
**1-800-950-4782**, we are here to help.



# STEP 18

# Assemble Panels

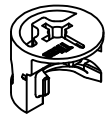
A210584A

Scan QR Code to Watch Video on:



How to Tighten KD Cams

H181468US



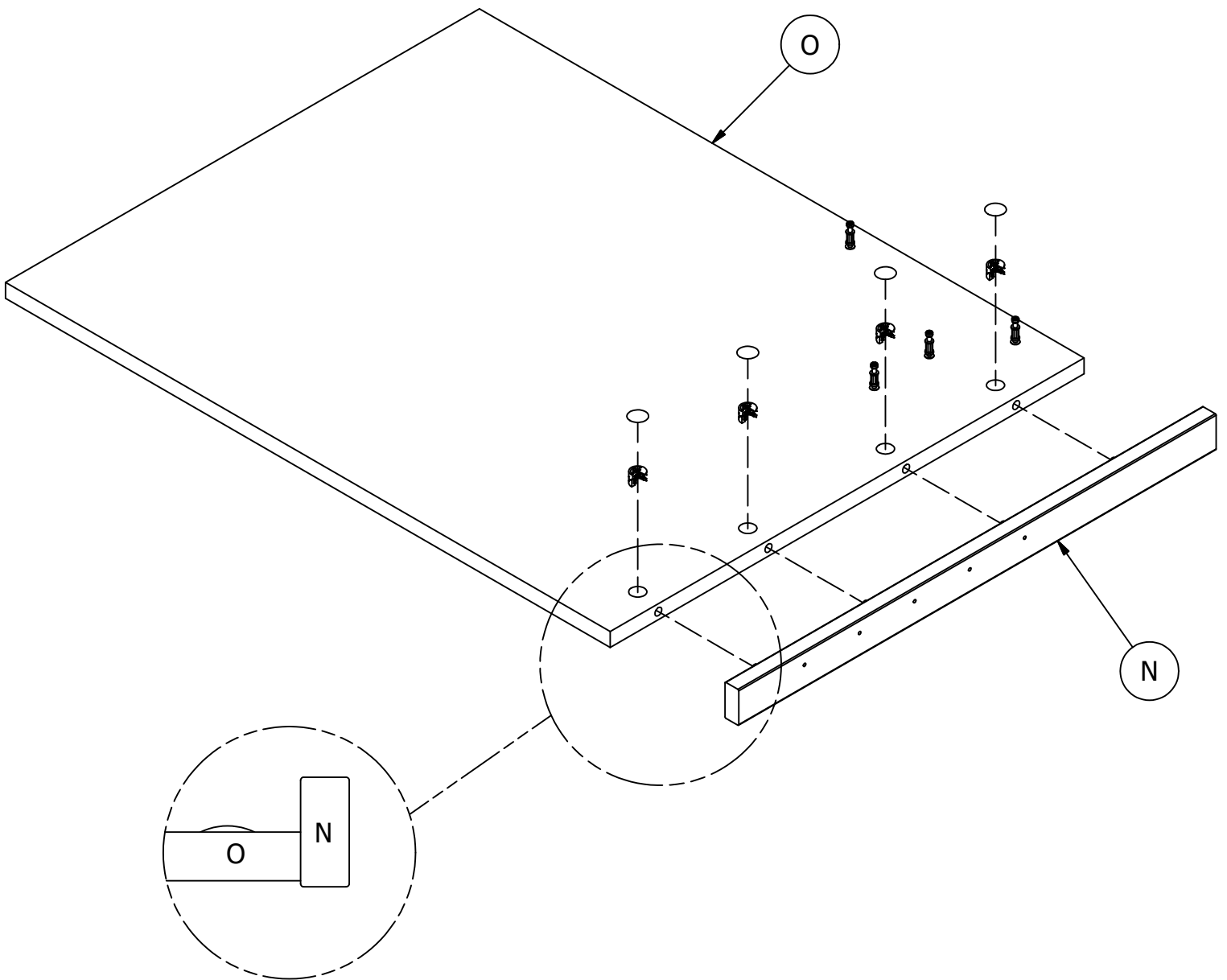
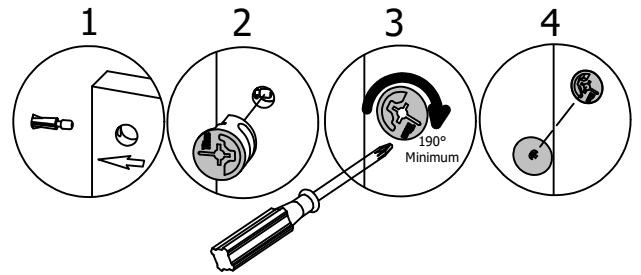
KD Cam3000

[ 4 ]



Cover Cap

[ 4 ]



Have an assembly question or need a replacement part? Just call **1-800-950-4782**, we are here to help.

# STEP 19

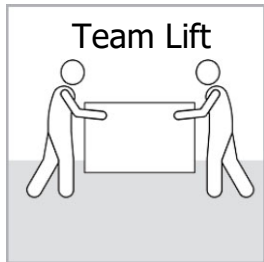
# Assemble Panels

A210584A

Scan QR Code to Watch Video on:



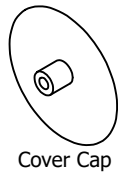
How to Tighten KD Cams



H181468US

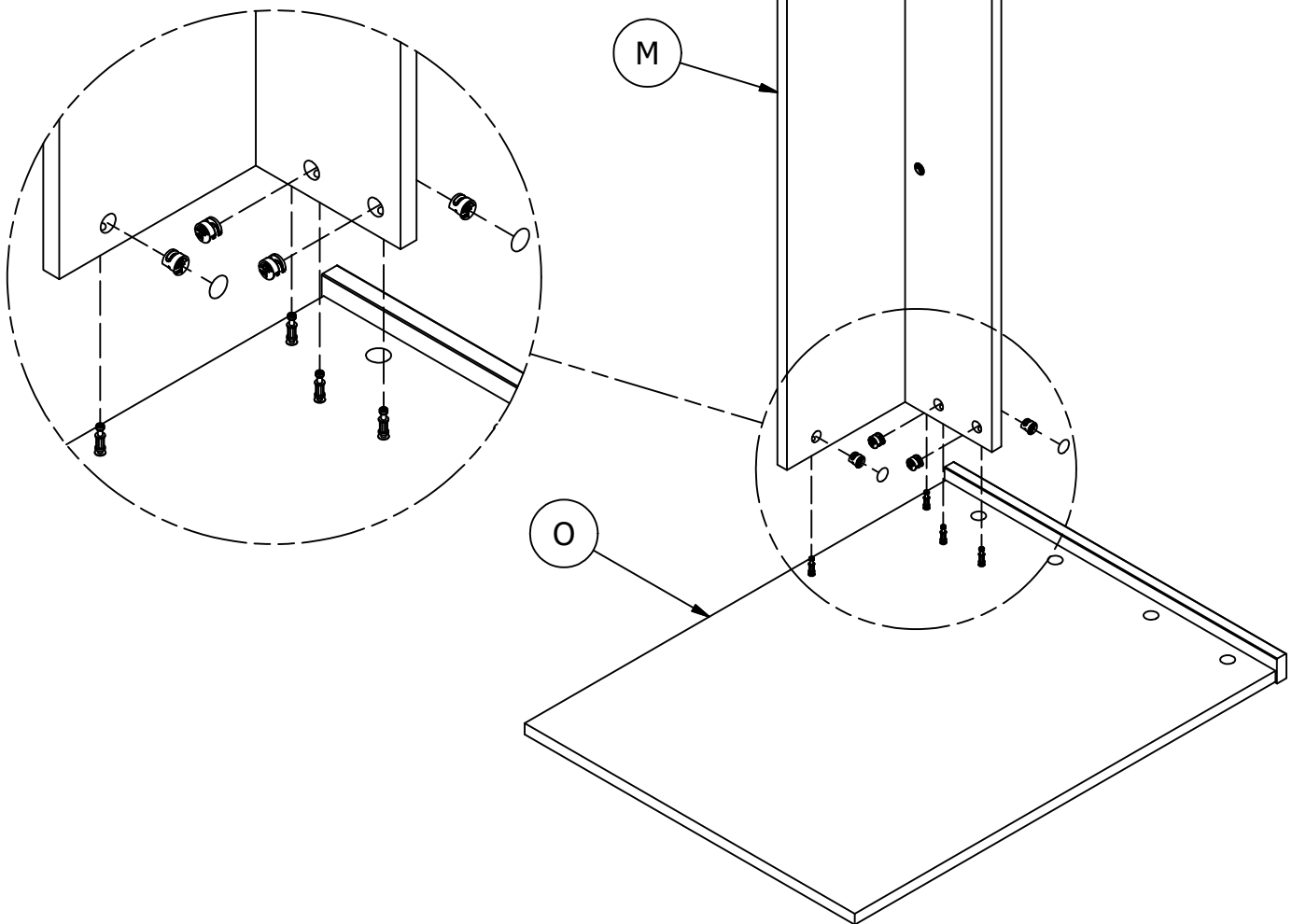
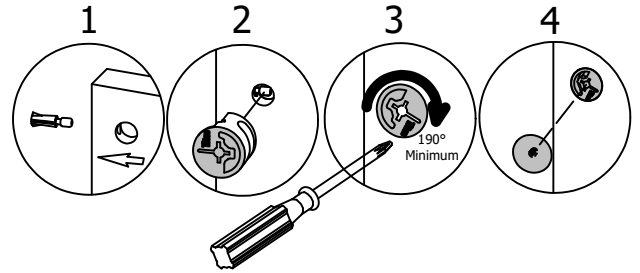


[ 4 ]



[ 2 ]

Cover Cap



Have an assembly question or need a replacement part? Just call **1-800-950-4782**, we are here to help.

# STEP 20

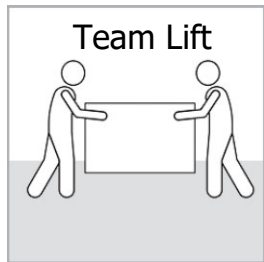
# Assemble Panels

A210584A

Scan QR Code to Watch Video on:



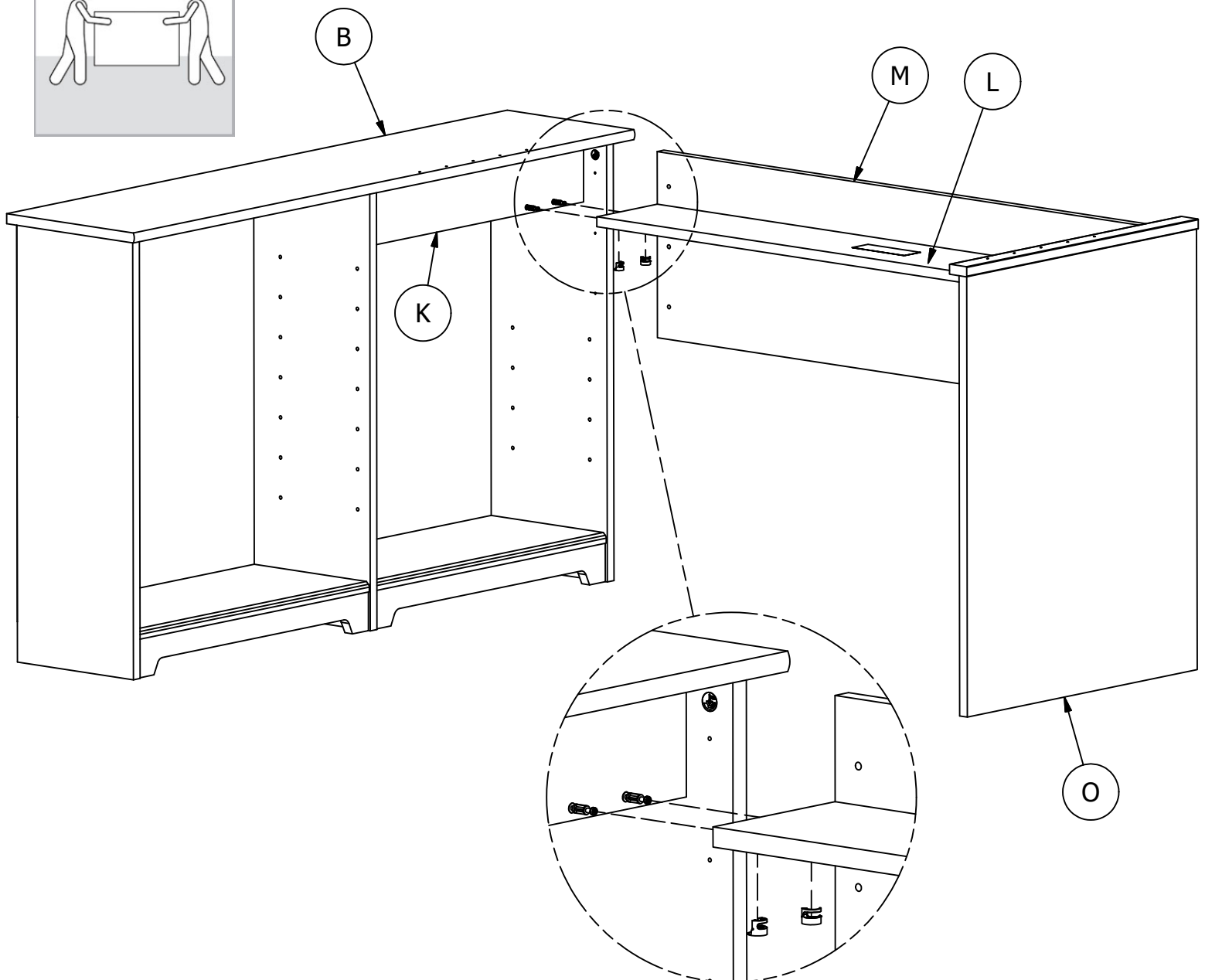
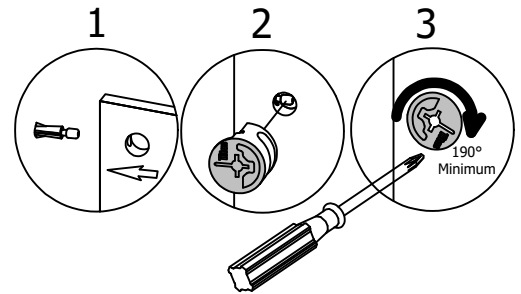
How to Tighten KD Cams



H181468US



[ 2 ]

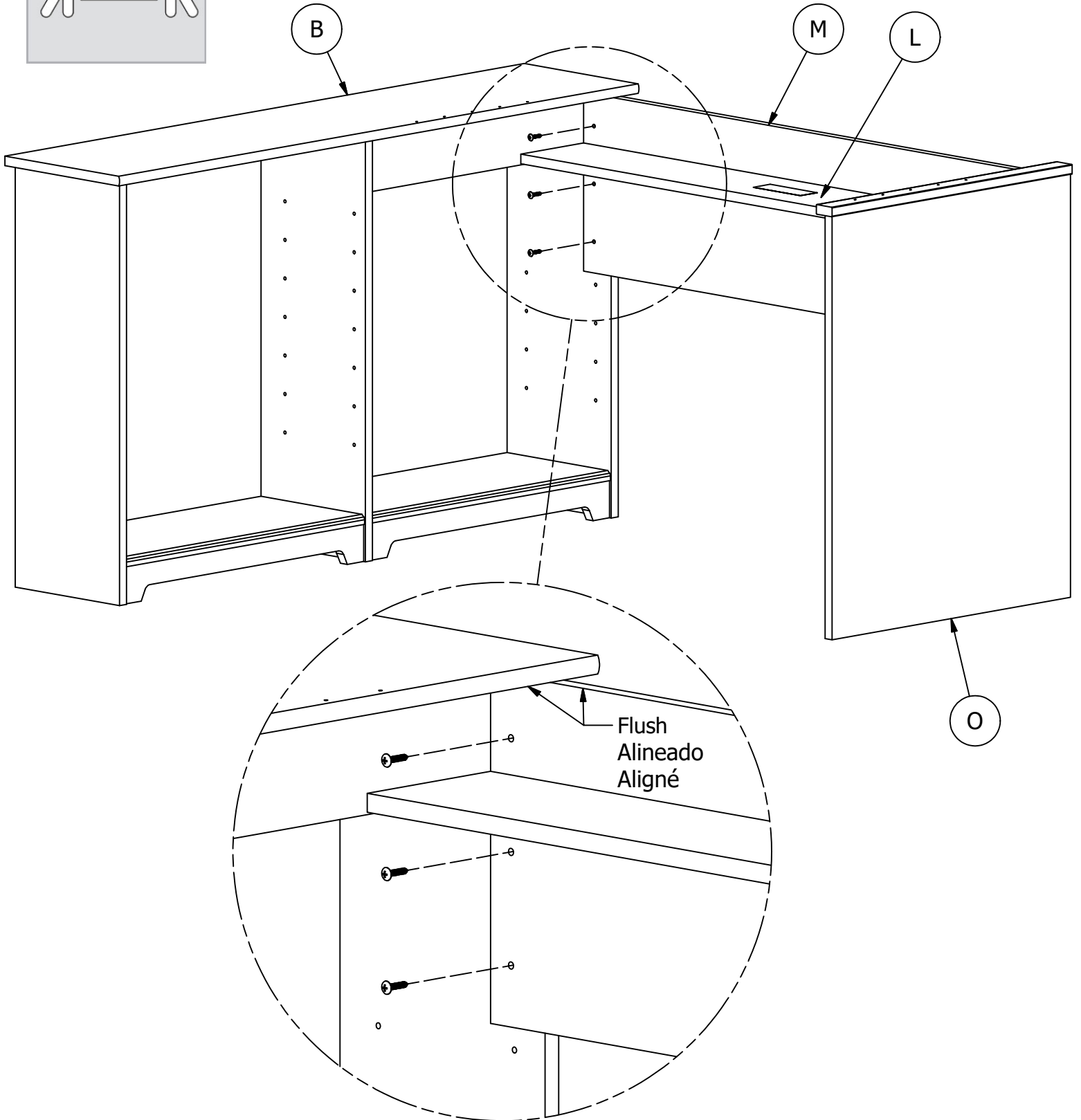
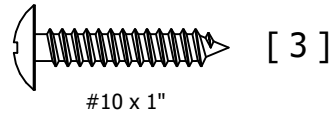
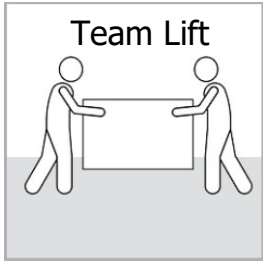


Have an assembly question or need a replacement part? Just call **1-800-950-4782**, we are here to help.

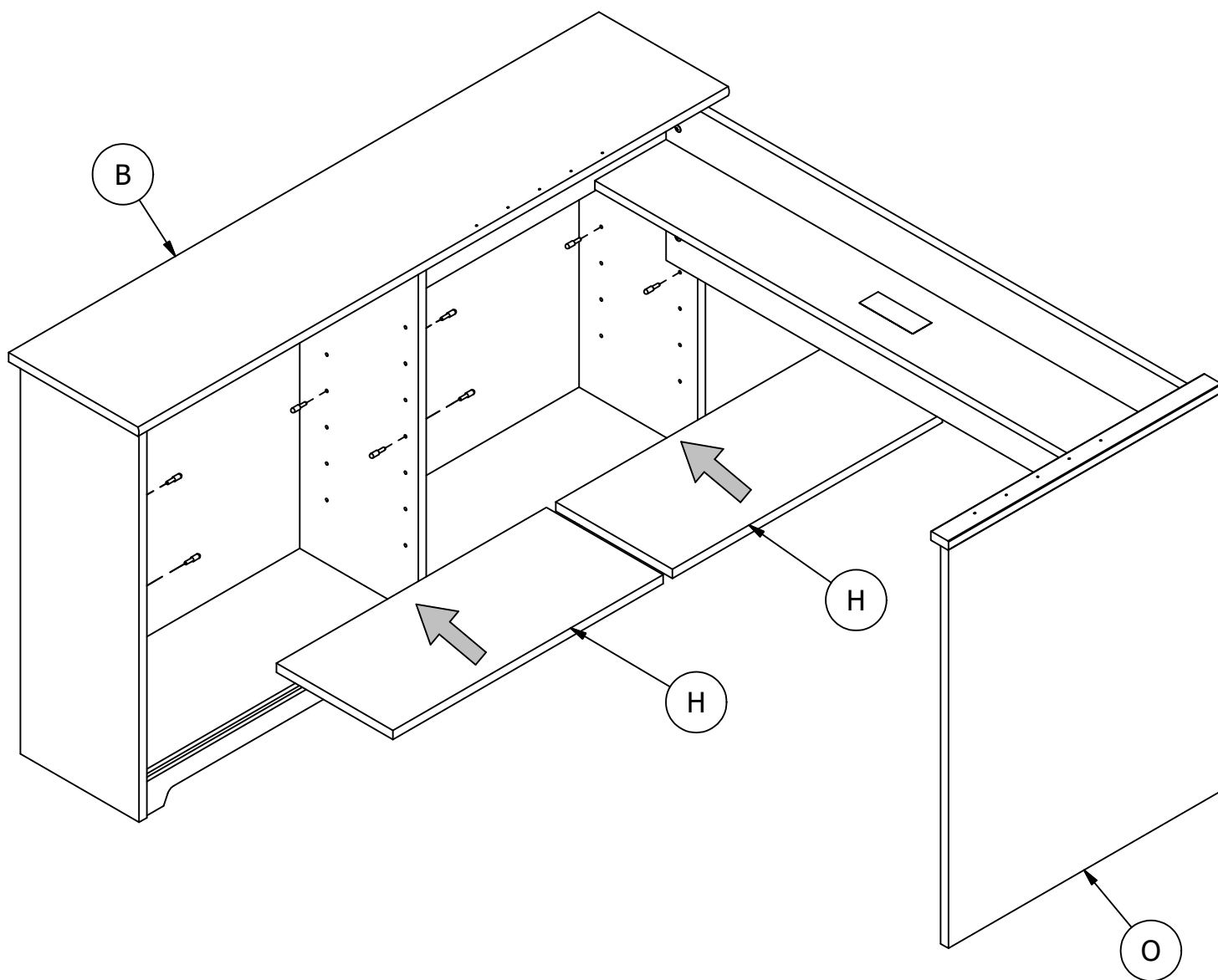
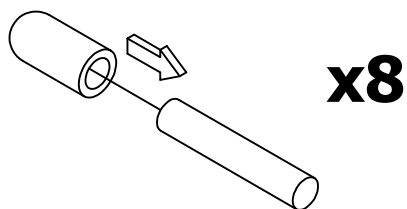
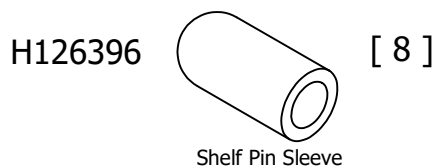
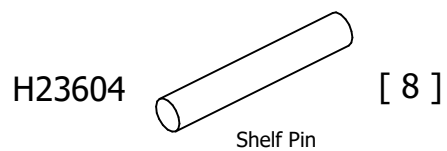
# STEP 21

# Attach Hardware

A210584A

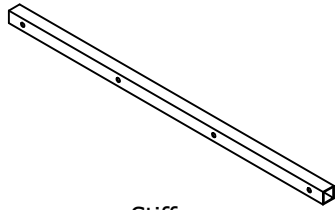


Have an assembly question or need a replacement part? Just call **1-800-950-4782**, we are here to help.



Have an assembly question or need a replacement part? Just call  
**1-800-950-4782**, we are here to help.

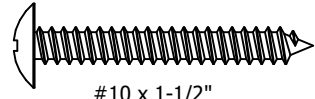
H181315



[ 1 ]

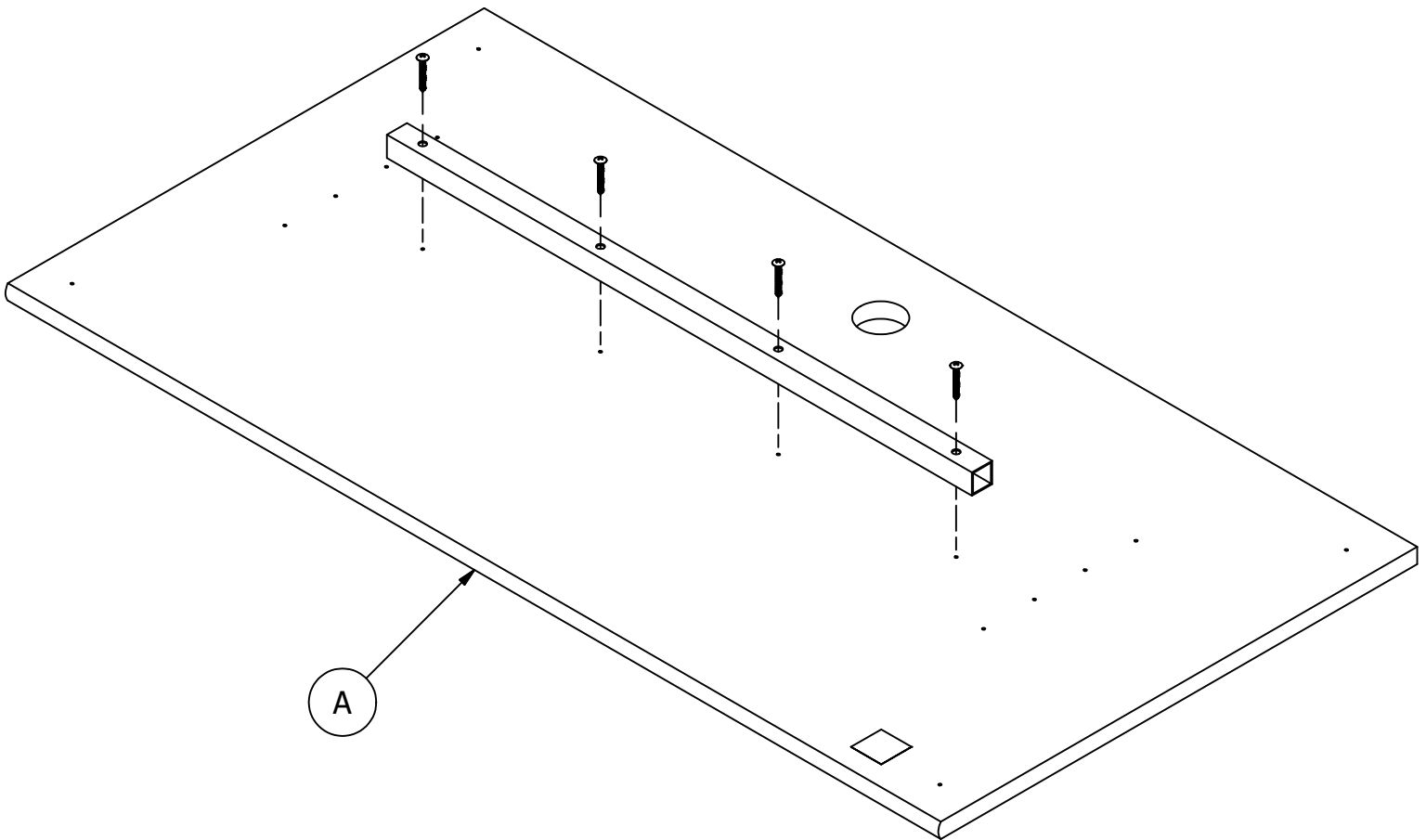
Stiffener

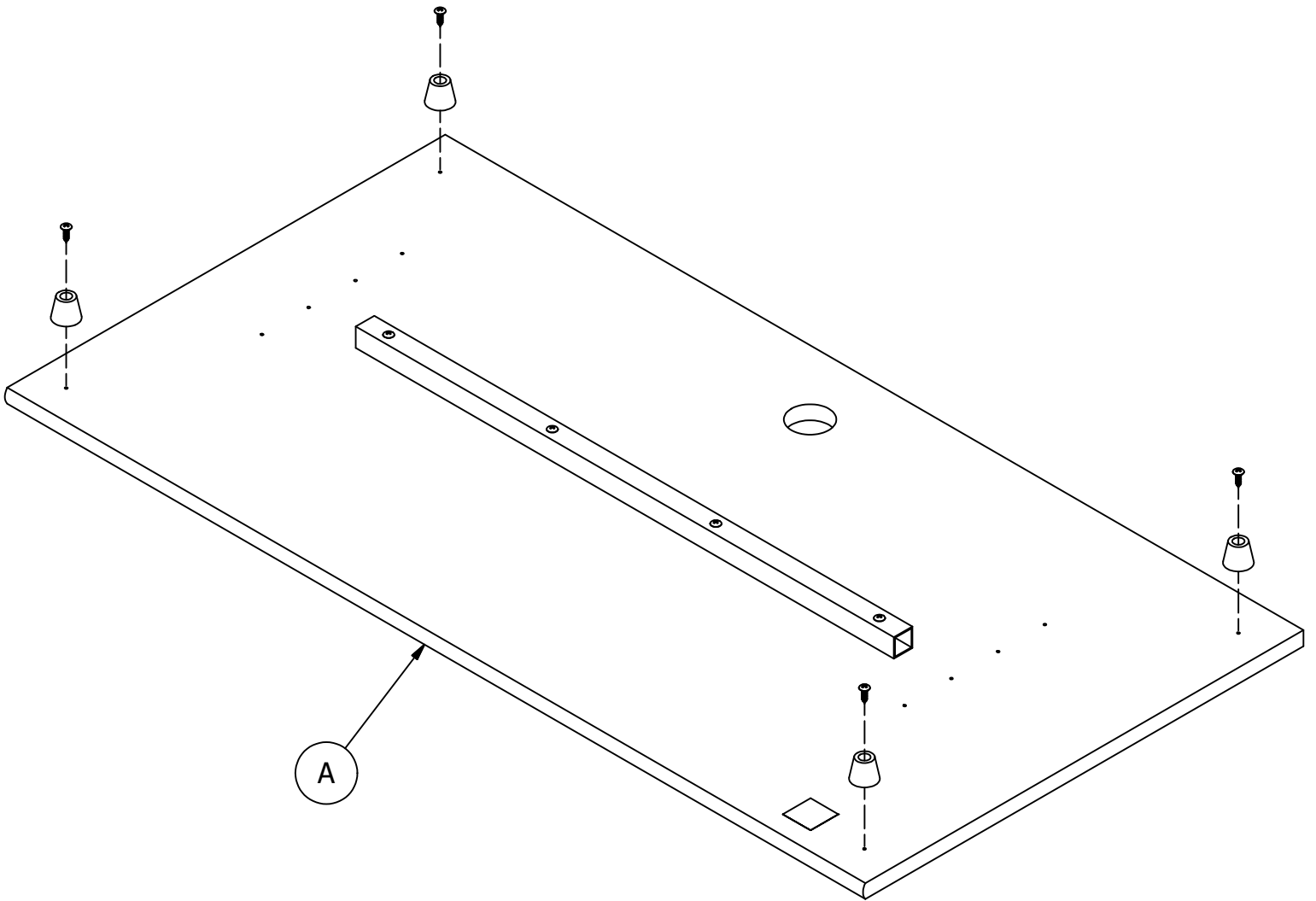
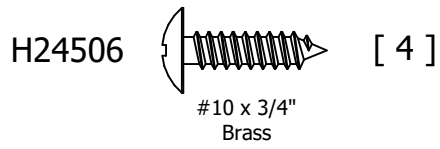
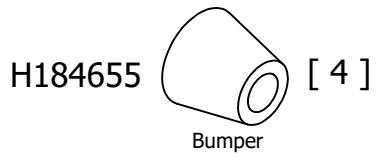
H23468



#10 x 1-1/2"

[ 4 ]





Have an assembly question or need a replacement part? Just call  
**1-800-950-4782**, we are here to help.

# STEP 25

# Attach Hardware

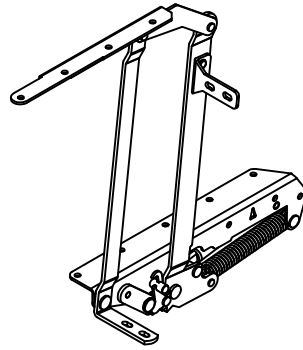
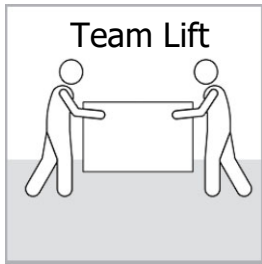
A210584A

H23119 [ 10 ]  
(Black) #10 x 5/8"

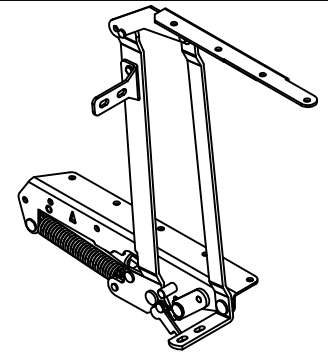
Z184667 [ 1 ]

Z184666 [ 1 ]

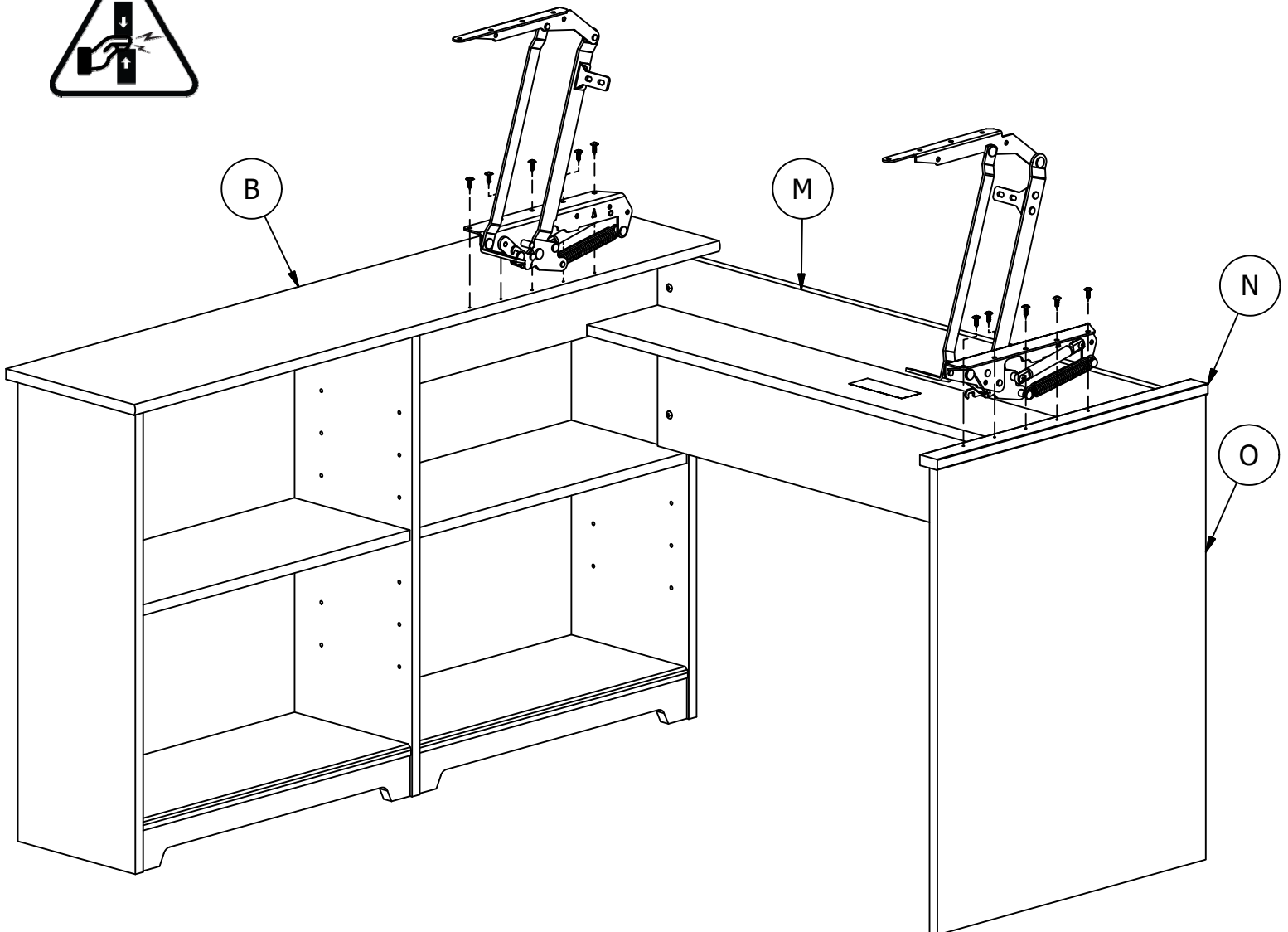
[ 1 ]



Left Side Mechanism

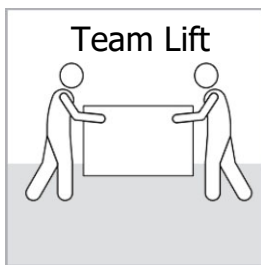


Right Side Mechanism

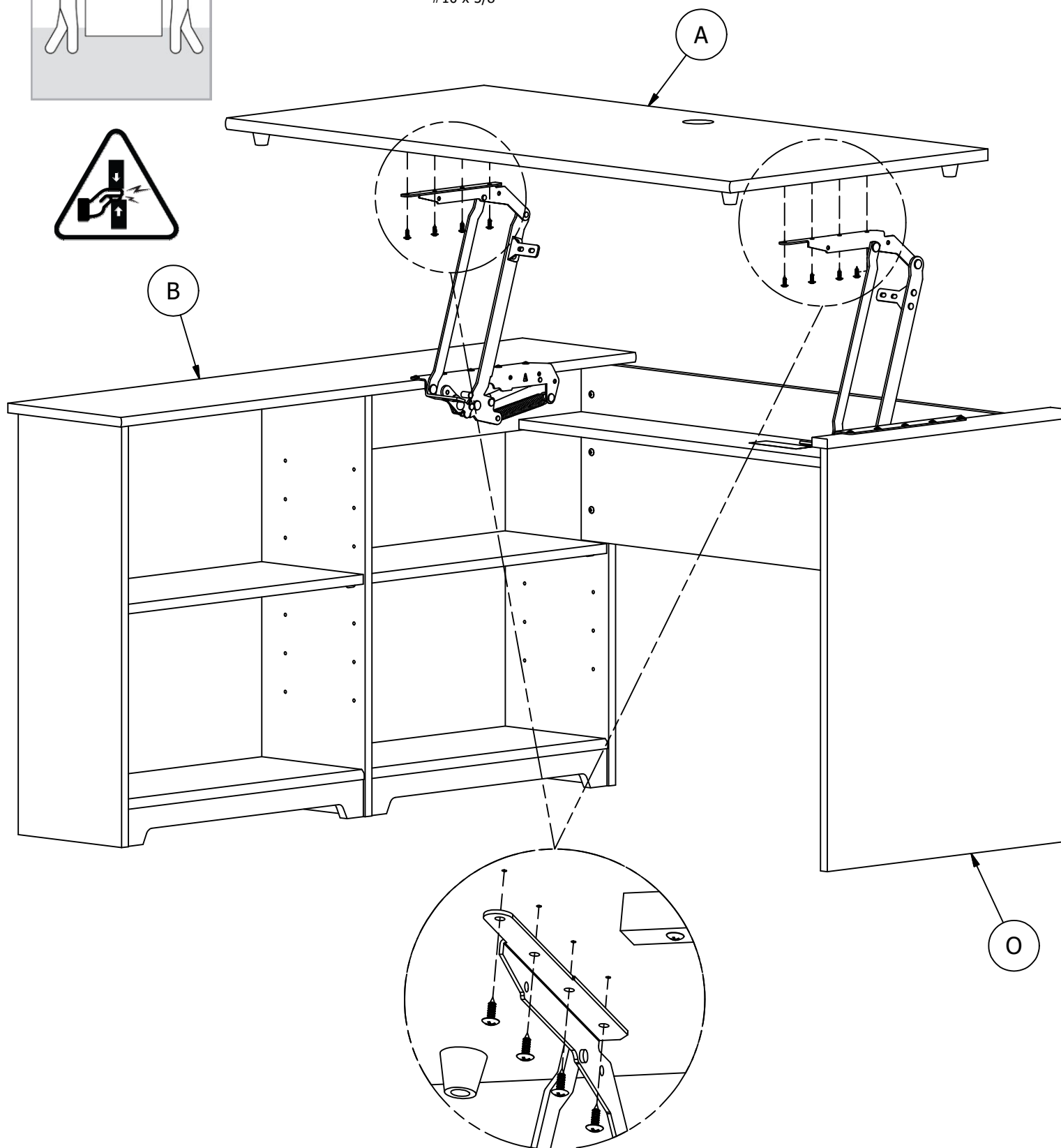
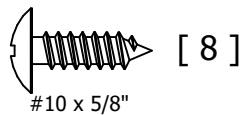


Have an assembly question or need a replacement part? Just call  
**1-800-950-4782**, we are here to help.





H23119  
(Black)

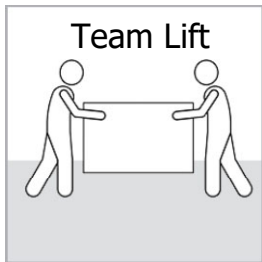


Have an assembly question or need a replacement part? Just call  
**1-800-950-4782**, we are here to help.

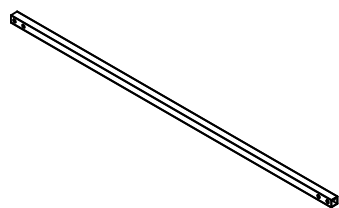
# STEP 27

# Attach hardware

A210584A



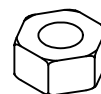
H189068



[ 2 ]

Connecting Bar

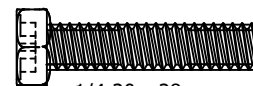
Z184671



[ 8 ]

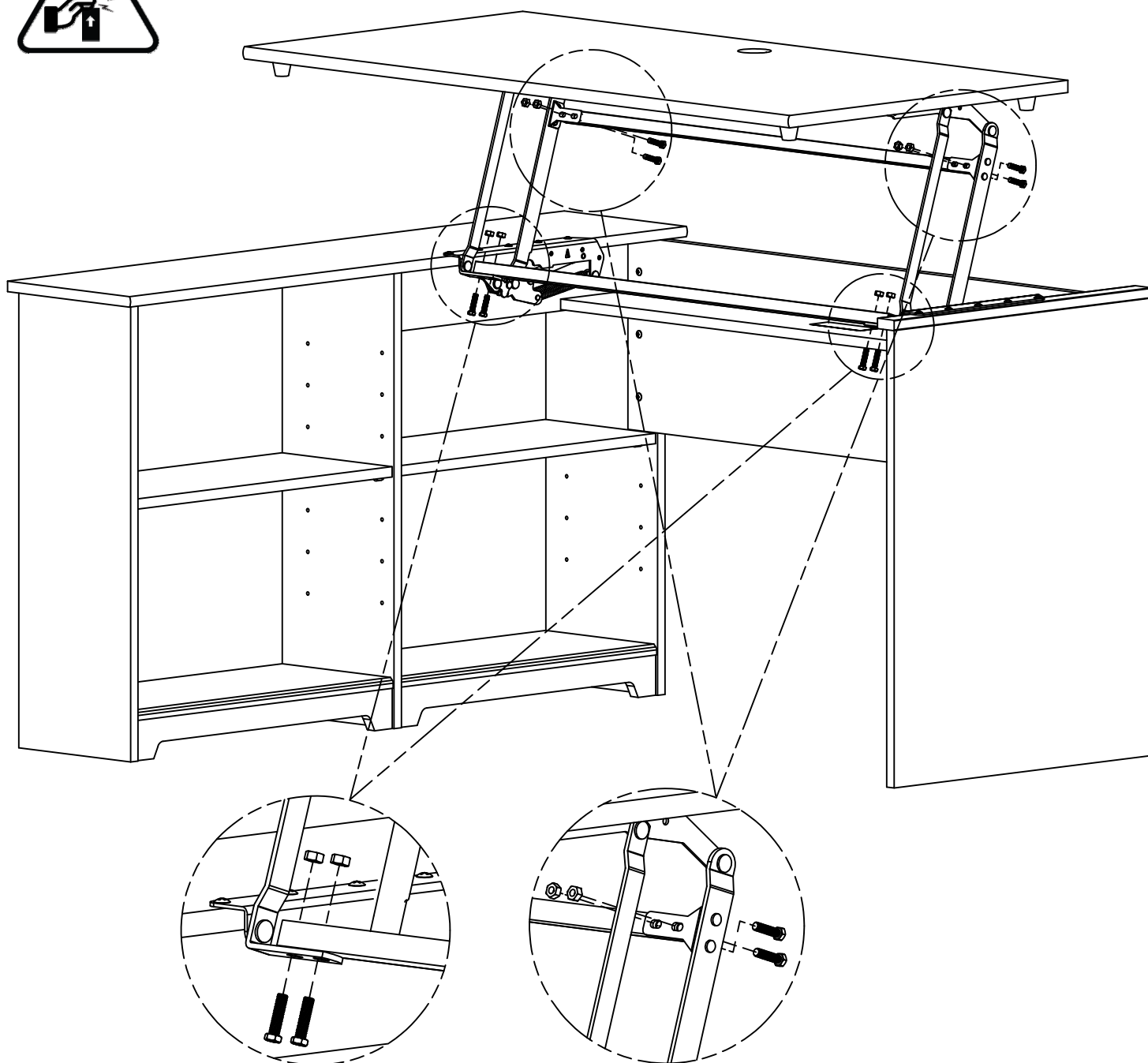
Nut 1/4-20

Z184669



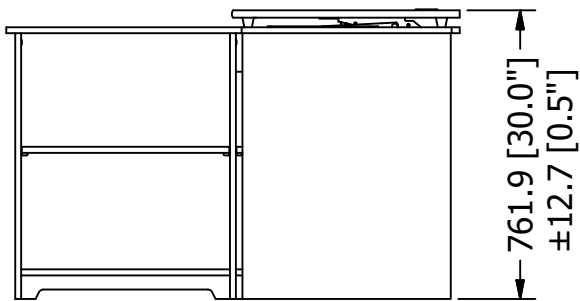
[ 8 ]

1/4-20 x 28mm

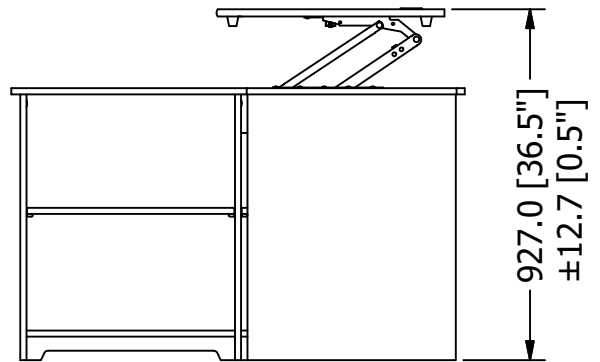


Have an assembly question or need a replacement part? Just call  
**1-800-950-4782**, we are here to help.

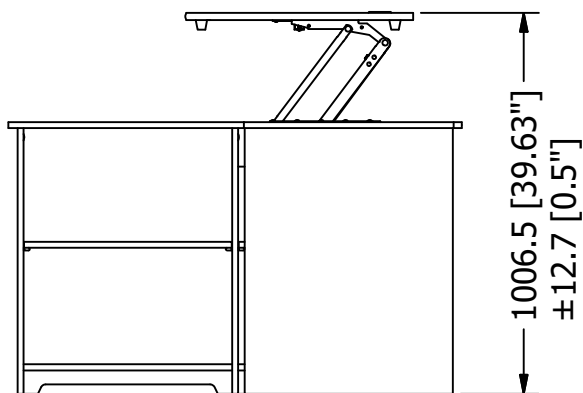
**SEATED POSITION**



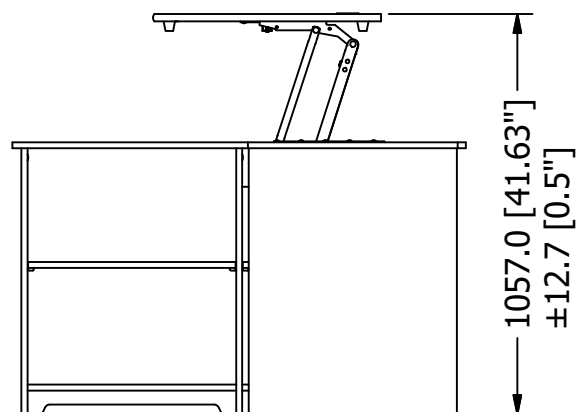
**POSITION #1**



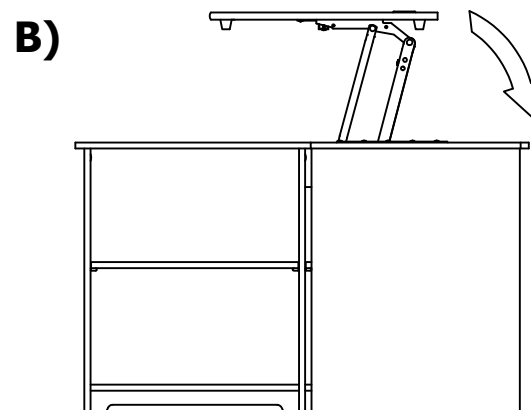
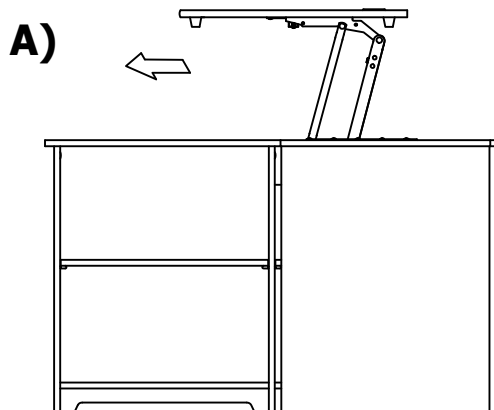
**POSITION #2**



**POSITION #3**



**UNLOCK POSITION**



DO NOT use desk top in UNLOCK position  
 NO use el escritorio en la posición de DESBLOQUEO  
 NE PAS utiliser le bureau en position UNLOCK

**To return desk to seated position:**

- (A) Pull desk top slowly forward until stop
- (A) Tire del escritorio lentamente hacia adelante hasta que se detenga
- (A) Tirez le bureau lentement vers l'avant jusqu'à la butée

- (B) Slowly push desk top down to seated position
- (B) Empuje lentamente la parte superior del escritorio hacia abajo hasta la posición sentada
- (B) Poussez lentement le bureau en position assise

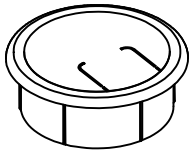
Have an assembly question or need a replacement part? Just call  
**1-800-950-4782**, we are here to help.

Scan QR Code to Watch Video on:



How to Clean the Surface

Gently clean surfaces with a damp sponge eraser.



Grommet

[ 1 ]

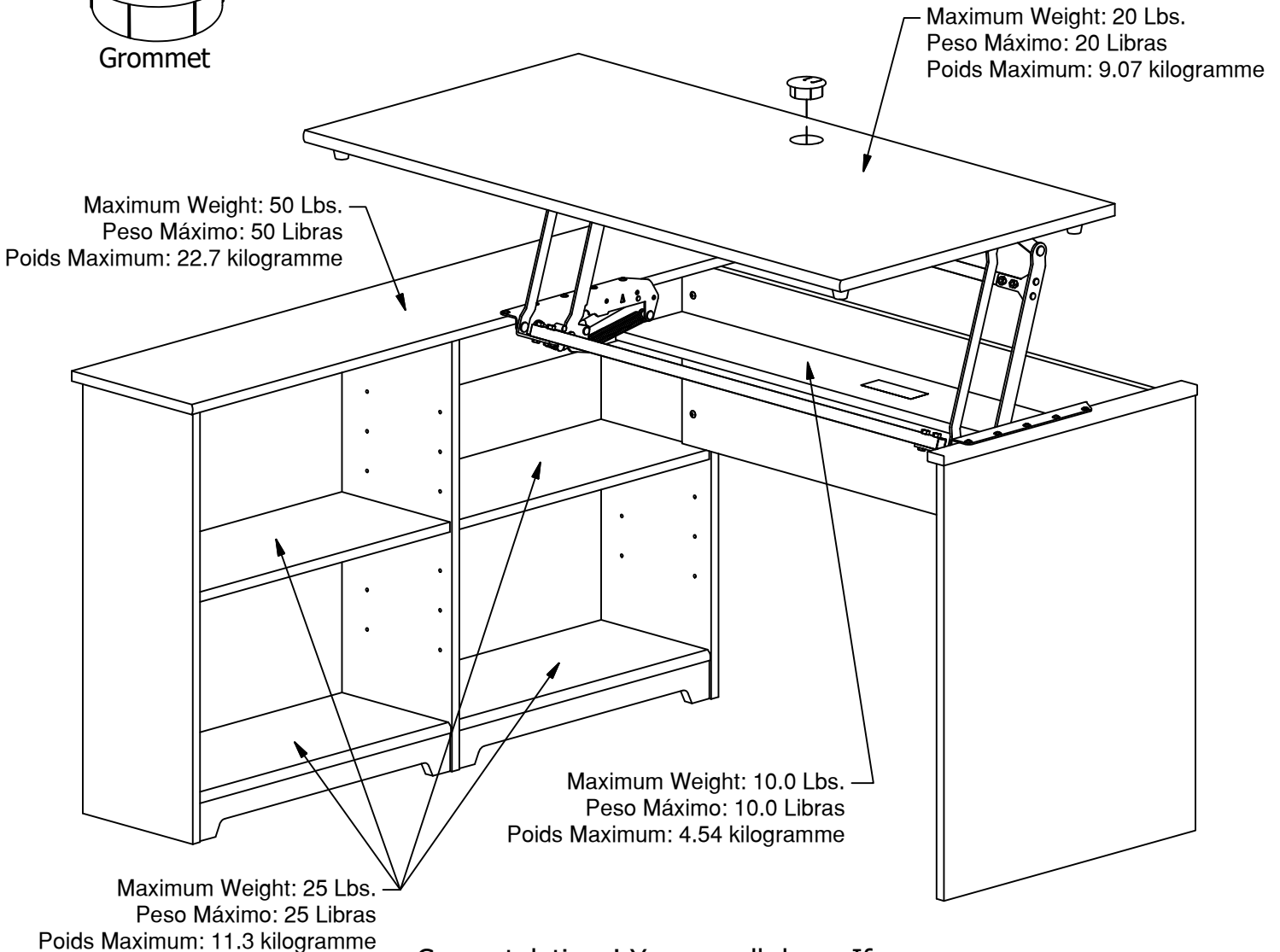


**CAUTION**

Do not sit on adjustable height work surface. Maximum load 20 lbs (9 kg). For use with computer monitor, keyboard, and light work.

No se siente en una superficie de trabajo de altura ajustable. Carga máxima 20 lbs (9 kg). Para usar con monitor de computadora, teclado y trabajo ligero.

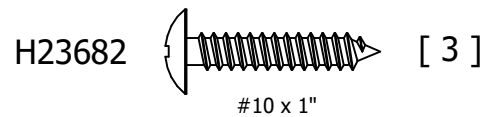
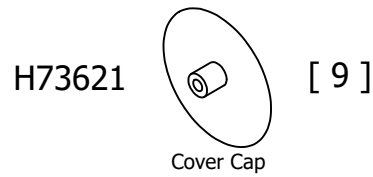
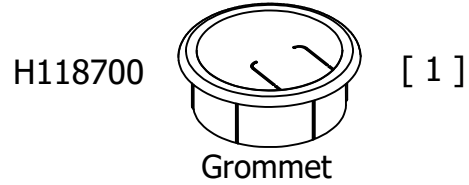
Ne vous asseyez pas sur une surface de travail à hauteur réglable. Charge maximale de 9 kg (20 lb). À utiliser avec un écran d'ordinateur, un clavier et des travaux légers.



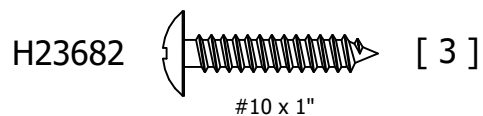
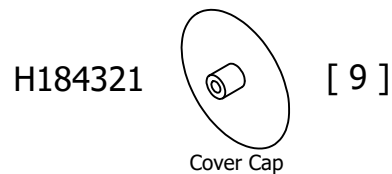
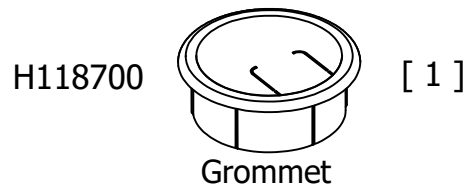
Congratulations! You are all done. If you have any questions or concerns, please call.

Have an assembly question or need a replacement part? Just call **1-800-950-4782**, we are here to help.

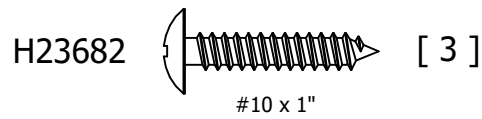
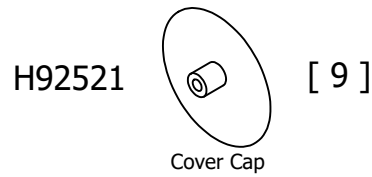
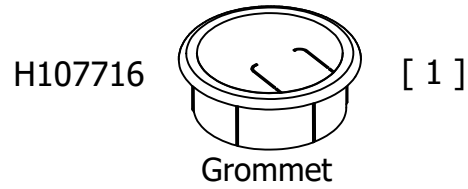
WC31816		
LABEL CODE	QTY	PART NUMBER
A	1	W210585
B	1	W210586
C	1	W210587
D	1	W210588
E	1	W210589
F	2	W210590
G	2	W210591
H	2	W210592
J	1	W210593
K	1	W210594
L	1	S210595
M	1	W210597
N	1	W210598
O	1	W210599



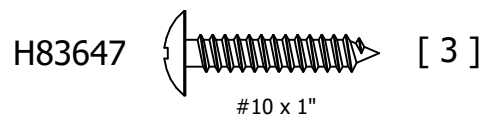
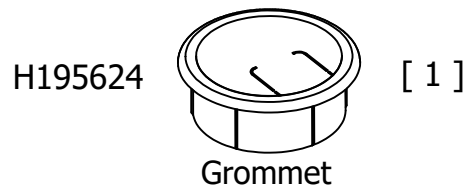
WC31416		
LABEL CODE	QTY	PART NUMBER
A	1	W210600
B	1	W210601
C	1	W210602
D	1	W210603
E	1	W210604
F	2	W210605
G	2	W210606
H	2	W210607
J	1	W210608
K	1	W210609
L	1	S210610
M	1	W210612
N	1	W210613
O	1	W210614



WC31716		
LABEL CODE	QTY	PART NUMBER
A	1	W210615
B	1	W210616
C	1	W210617
D	1	W210618
E	1	W210619
F	2	W210620
G	2	W210621
H	2	W210622
J	1	W210623
K	1	W210624
L	1	S210625
M	1	W210627
N	1	W210628
O	1	W210629



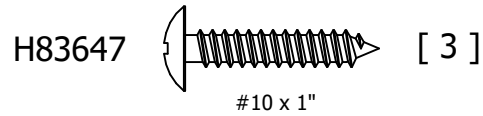
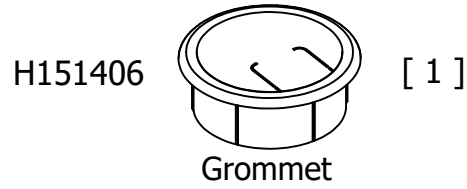
WC31916		
LABEL CODE	QTY	PART NUMBER
A	1	W210630
B	1	W210631
C	1	W210632
D	1	W210633
E	1	W210634
F	2	W210635
G	2	W210636
H	2	W210637
J	1	W210638
K	1	W210639
L	1	S210640
M	1	W210642
N	1	W210643
O	1	W210644



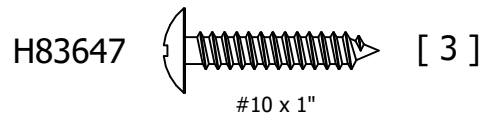
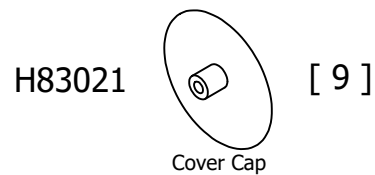
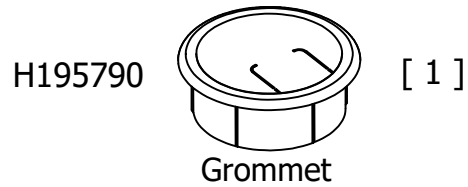
# PARTS LIST

A210584A

WC31216		
LABEL CODE	QTY	PART NUMBER
A	1	W210645
B	1	W210646
C	1	W210647
D	1	W210648
E	1	W210649
F	2	W210650
G	2	W210651
H	2	W210652
J	1	W210653
K	1	W210654
L	1	S210655
M	1	W210657
N	1	W210658
O	1	W210659



WC31316		
LABEL CODE	QTY	PART NUMBER
A	1	W214039
B	1	W214040
C	1	W214041
D	1	W214042
E	1	W214043
F	2	W214044
G	2	W214045
H	2	W214046
J	1	W214047
K	1	W214048
L	1	S214049
M	1	W214051
N	1	W214052
O	1	W214053



Have an assembly question or need a replacement part? Just call  
**1-800-950-4782**, we are here to help.