

# Work Surface Installation Instructions

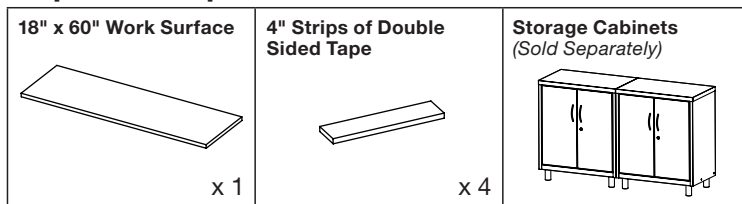
## Tools Required for Assembly

- None

## Important

Read all instructions, review illustrations and identify all parts prior to assembly.

## Required Components



## Assembly Instructions

### ▲ WARNING

This work surface is heavy. For best results, two or more people may be required for assembly.

1. Ensure base cabinets are straight and aligned.
2. Remove one side of plastic tape backing and place one piece of double-sided tape 1"-2" in from each corner of the cabinet base. [Fig. 1]
3. Remove top layer of tape backing. Lower work surface into place, making sure that it goes on straight. Work surface will be difficult to adjust after being installed. [Fig. 2]
4. Press down on corners to ensure full adhesion.

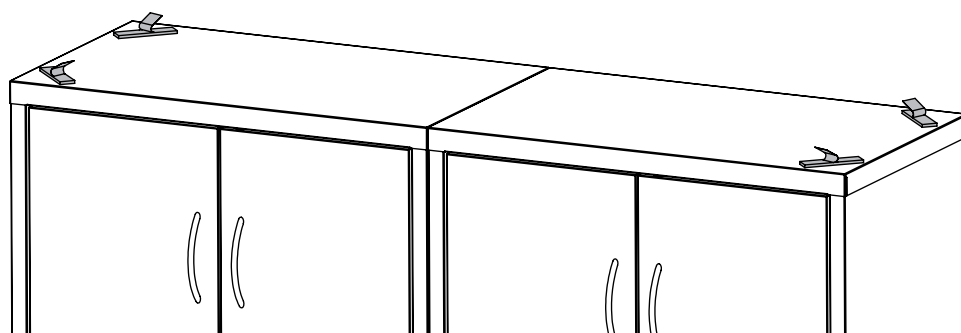


Fig. 1

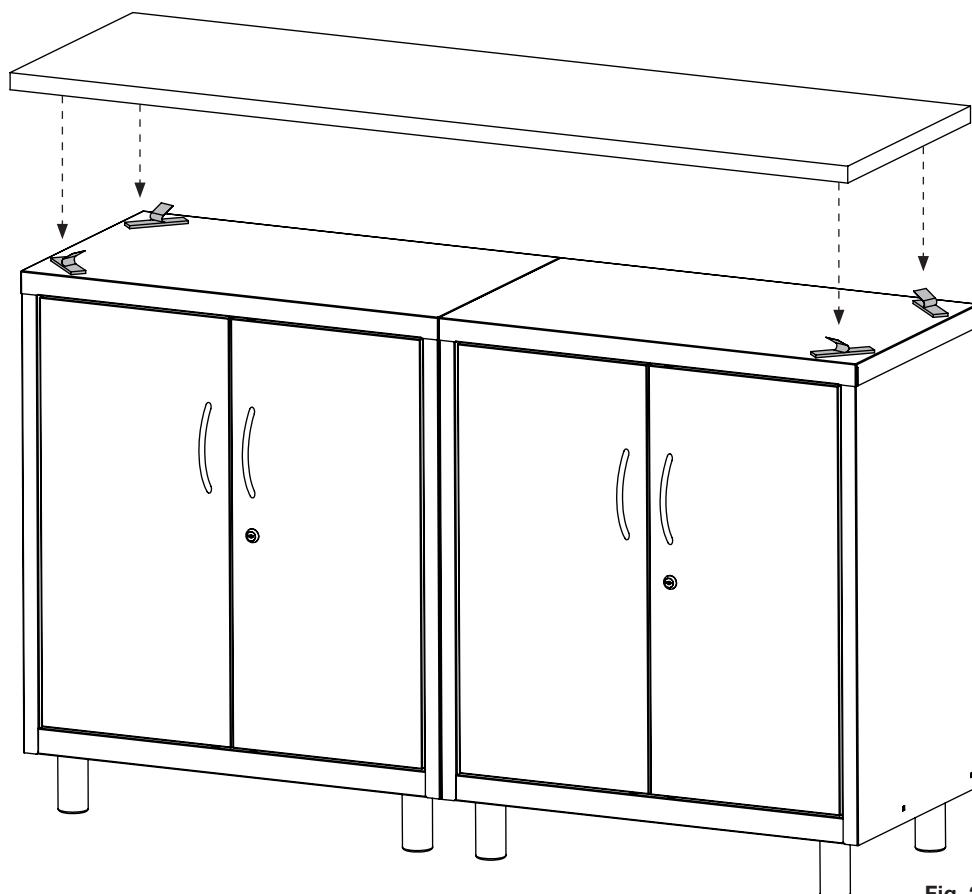


Fig. 2