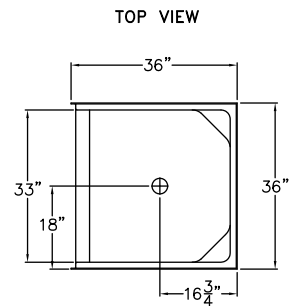
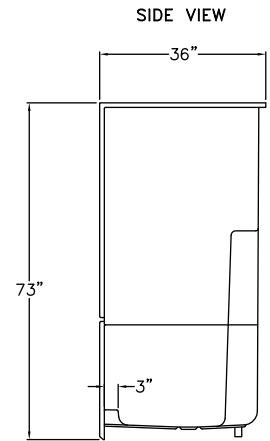
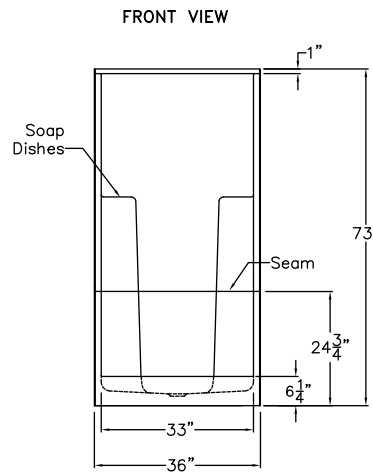


SKD365 (2P)
36" x 36" x 73"



FEATURES

FINISH	PRODUCT	PIECES	WALL
AcrylX™	Sectional	Two	Smooth

OPTIONS

WHIRLPOOL	STANDARD COLOR	ACCESSORIES
No	White, Bone, Biscuit	Drain

TECHNICAL INFORMATION

WT	LOAD FACTOR	HANDED BY	CODES
105	0.71	Center Drain	ANSI 124.1, UPC



AVAILABILITY ■

Due to the nature of the materials, dimensions may vary +/- 1/2".