



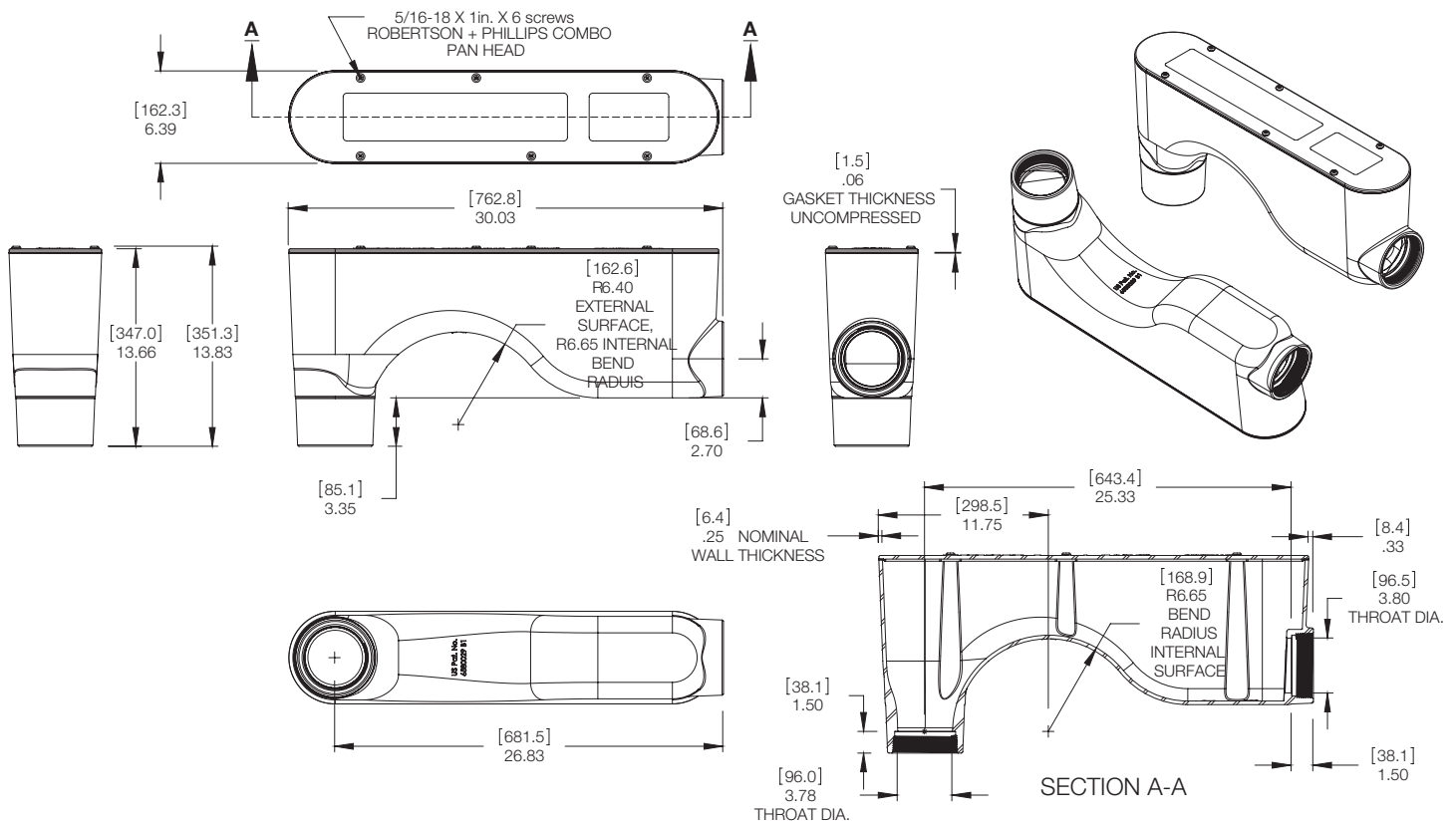
## 4" SMARTLB™ CONDUIT BODY DIE-CAST ALUMINUM

### FEATURES:

- For use with EMT, IMC, Rigid conduit or LT Flexible conduit & fittings.
- Suitable for indoor/outdoor (OSP) & plenum use.
- Built-in radius helps prevent cables from getting damaged.
- Includes gasketed cover for wet locations.
- Meets minimum bend radius of ANSI/TIA/EIA 568 & NECA/FOA.
- Recommended by BICSI TDMM 13th for communication cable.

**TYPE OF INSTALLATION:** New Work & Old Work

**CERTIFICATIONS:** CSA US Listed



MODEL#	MATERIAL	UPC	I20F5	MASTER QTY	TRADE SIZE		
KBLB400	Die-cast Aluminum	784297022005	50784297022000	2	4 in.		
ITEM HEIGHT	ITEM WIDTH	ITEM DEPTH	ITEM WEIGHT	MASTER HEIGHT	MASTER WIDTH	MASTER DEPTH	MASTER WEIGHT
10.31 in.	30.03 in.	6.39 in.	27.65 lbs.	7.00 in.	30.38 in.	24.75 in.	55.30 lbs.

