

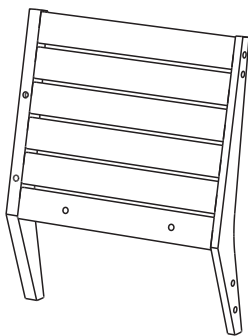
IMPORTANT

Carefully remove all the parts from the carton and place them individually on a soft cloth to prevent scratches or other damage.

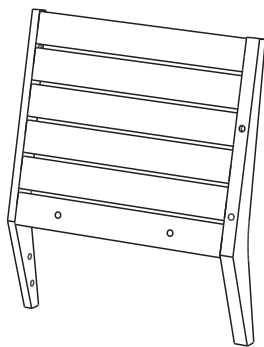
Carefully and strictly follow these assembly instructions to ensure a completed product as designed.

Do not use power tools above 8 volts to assemble.

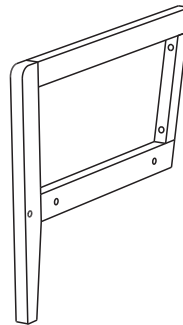
Part List



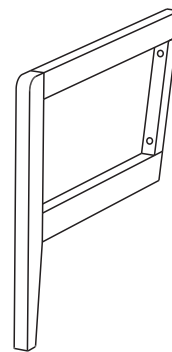
A.
Back
1 pc.



B.
Back
1 pc.



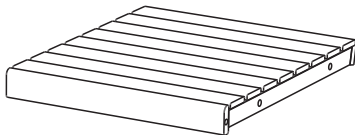
C.
Side
1 pc.



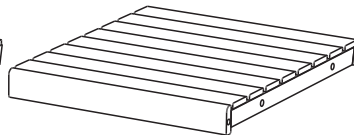
D.
Side
1 pc.



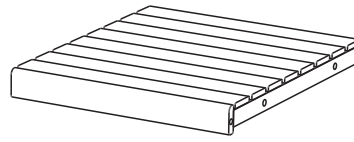
G.
Support
2 pcs.



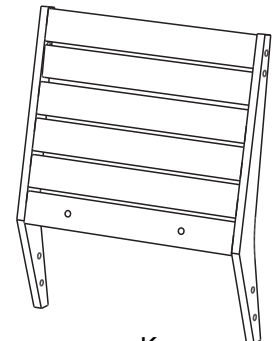
E.
Seat
1 pc.



F.
Seat
1 pc.

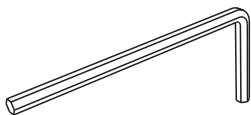


J.
Seat
1 pc.



K.
Back
1 pc.

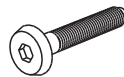
Hardware List



Hex Wrench
1 pc.



M6x35
Head Cap Bolt (short)
6 pcs. (+1 extra)



M6x60
Head Cap Bolt (long)
2 pcs. (+1 extra)



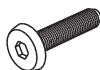
Spring Washer
18 pcs. (+1 extra)



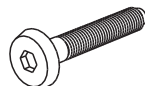
Wood Plug
4 pcs. (+1 extra)



Small
Hex Wrench
1 pc.



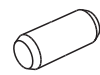
M6x40
Head Cap Bolt
10 pcs. (+1 extra)



M8x50
Head Cap Bolt (large)
4 pcs. (+1 extra)



Flat Washer
18 pcs. (+1 extra)



Dowel
8 pcs. (+1 extra)

Cartons 5670-302 is also needed for assembly.

Assembly Instructions 2/6

IMPORTANT

- Use a soft cloth between these parts and the floor.
- Do not use power tools above 8 volts to assemble.
- Do not tighten all the bolts until each part is properly assembled.
- Keep Hex Wrench as the bolts may need to be tightened in the future.

Left Unit

STEP 1

Attach Side (C) to Back (A) with Head Cap Bolts (large), tightening bolts only halfway. (See Figure 1)

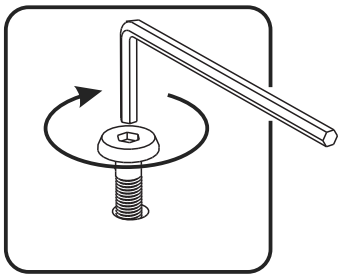


Figure 1

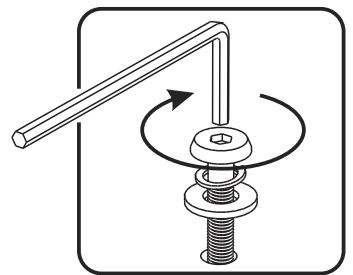
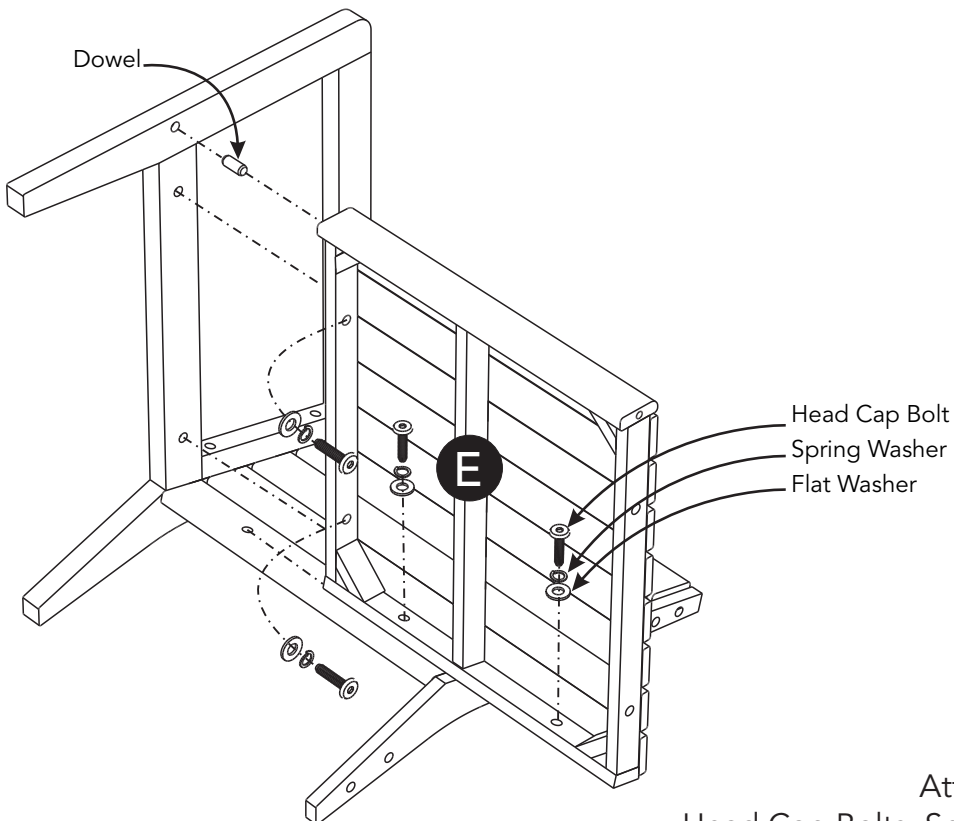
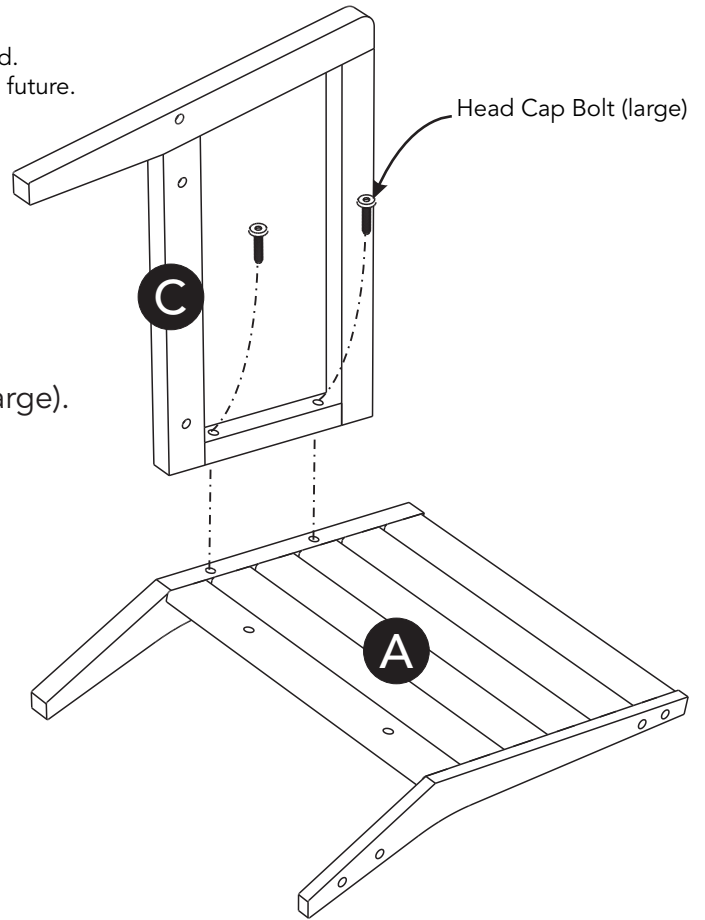


Figure 2

STEP 2

Attach Seat (E) to unit with Dowel, Head Cap Bolts, Spring Washers and Flat Washers, tightening bolts only halfway. (See Figure 2)

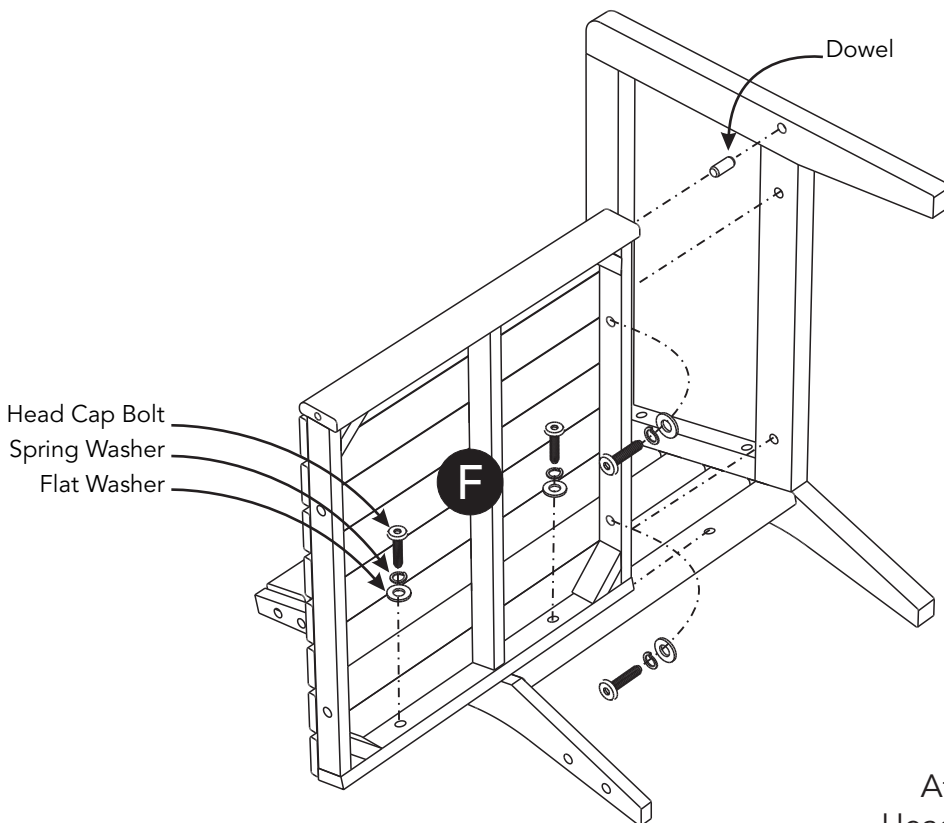
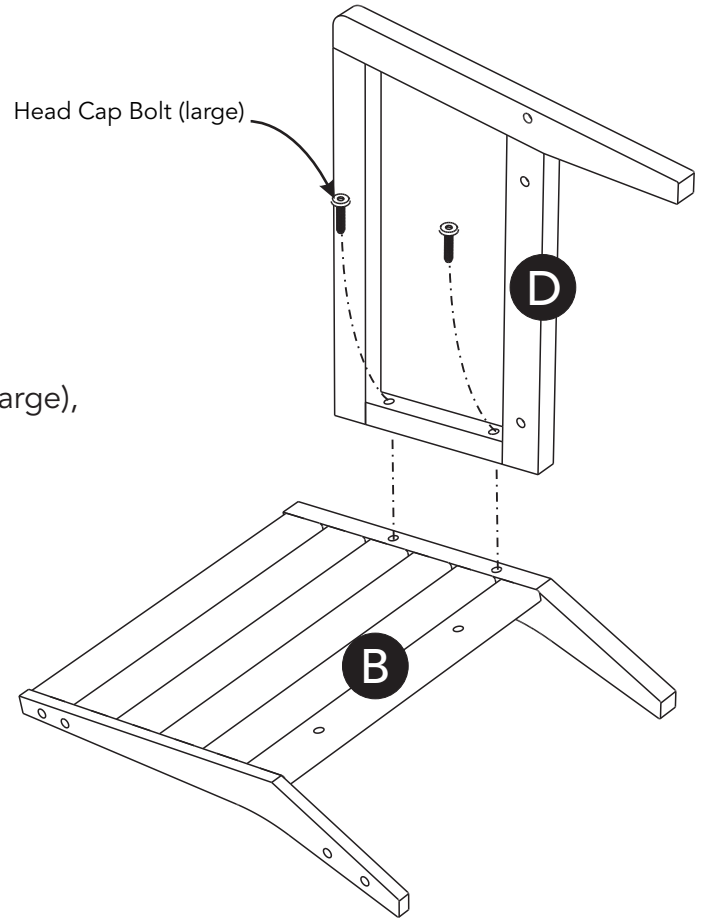
Tighten all bolts used in Steps 1 and 2.

Assembly Instructions 3/6

Right Unit

STEP 3

Attach Side (D) to Back (B) with Head Cap Bolts (large), tightening bolts only halfway.



STEP 4

Attach Seat (F) to unit with Dowel, Head Cap Bolts, Spring Washers and Flat Washers, tightening bolts only halfway.

Tighten all bolts used in Steps 3 and 4.

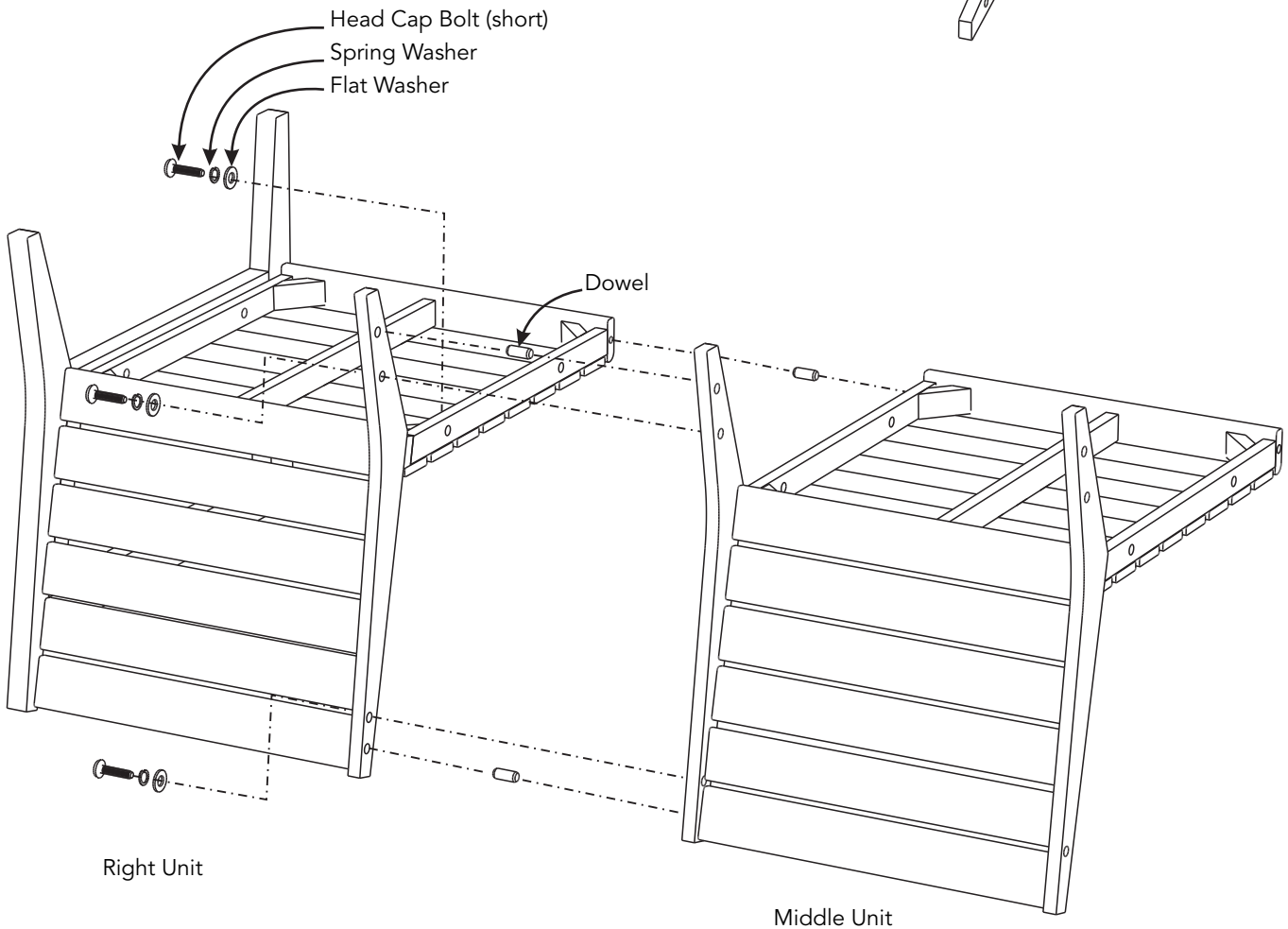
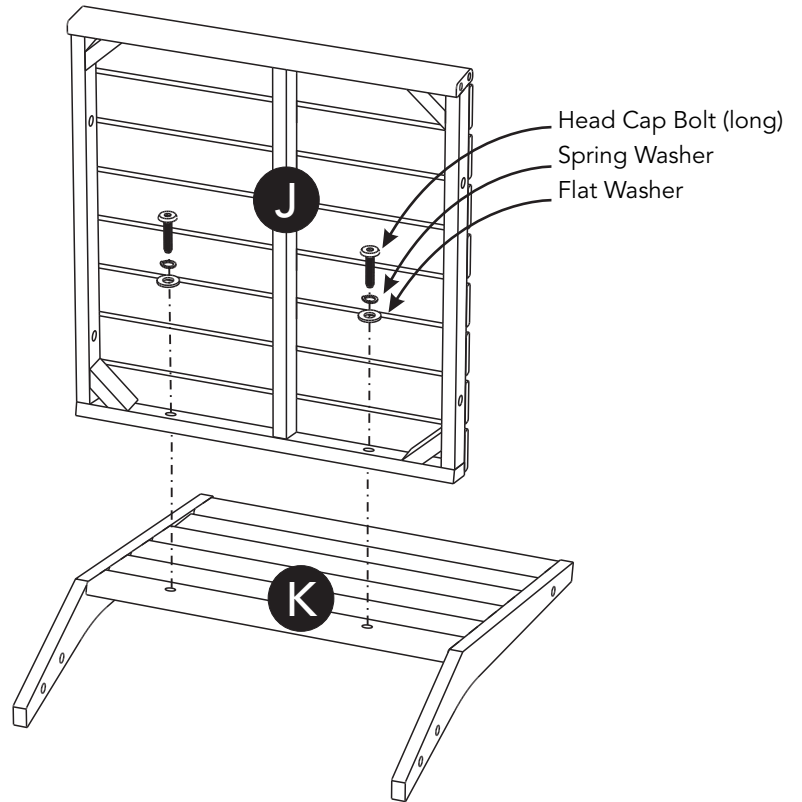
Assembly Instructions 4/6

Middle Unit

STEP 5

Attach Seat (J) to Back (K) with Head Cap Bolts, Spring Washers and Flat Washers, tightening bolts only halfway.

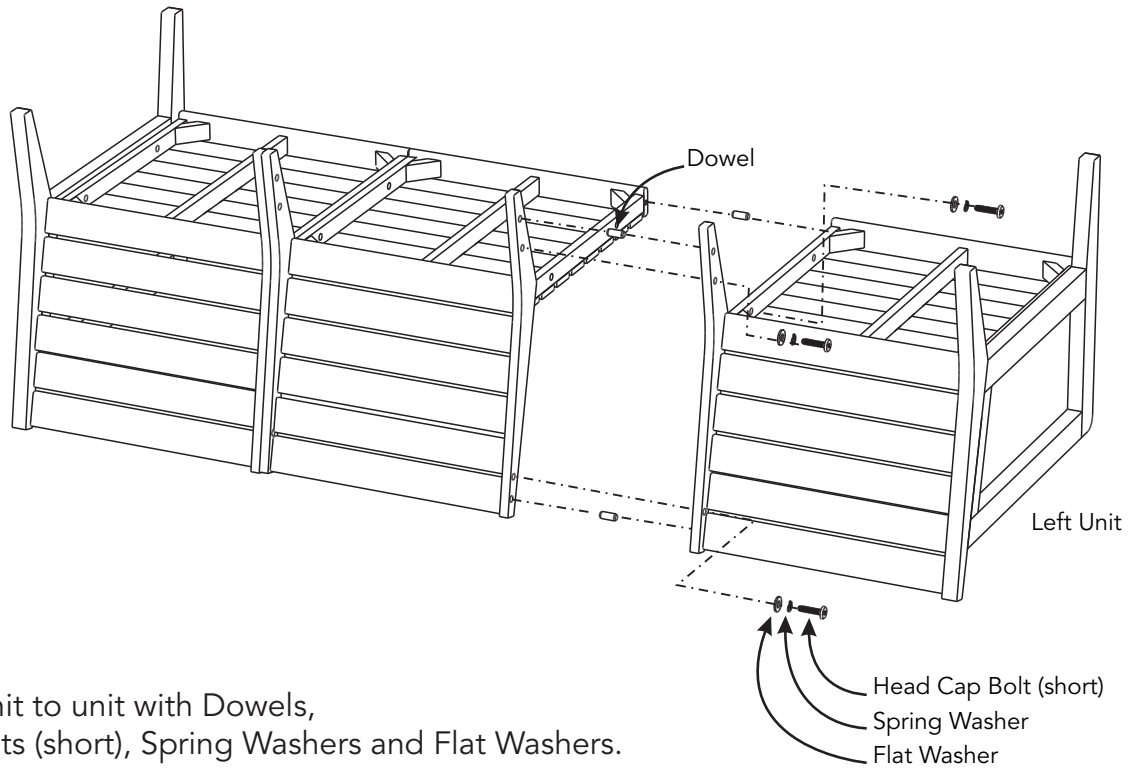
Tighten bolts.



STEP 6

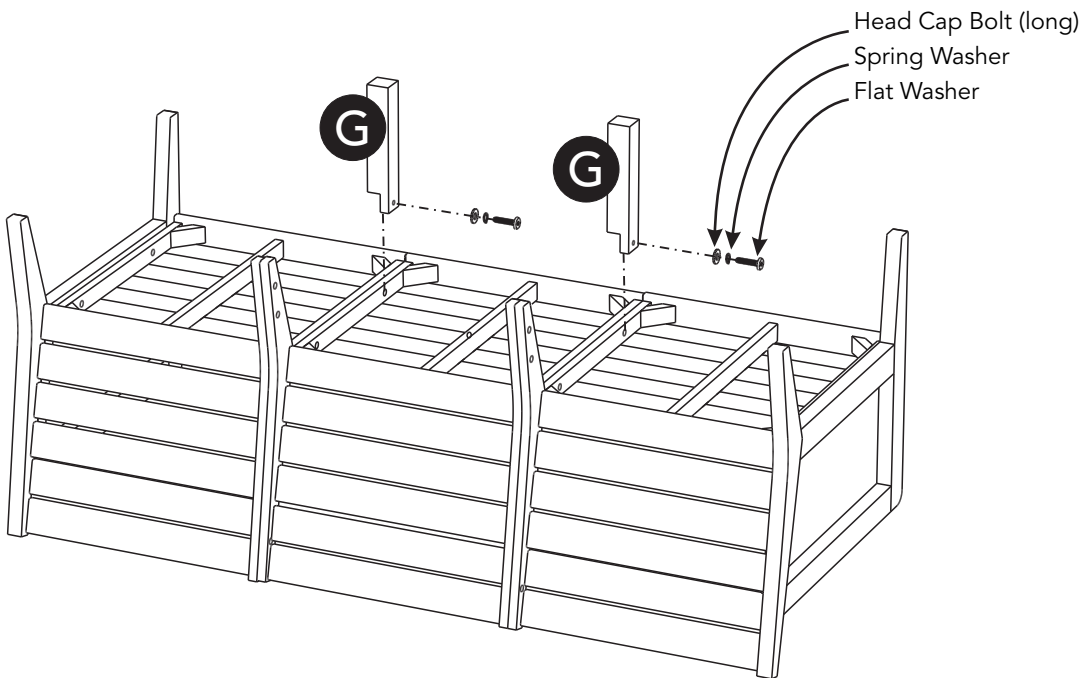
Attach Right Unit to Middle Unit with Dowels, Head Cap Bolts (short), Spring Washers and Flat Washers.

Assembly Instructions 5/6



STEP 7

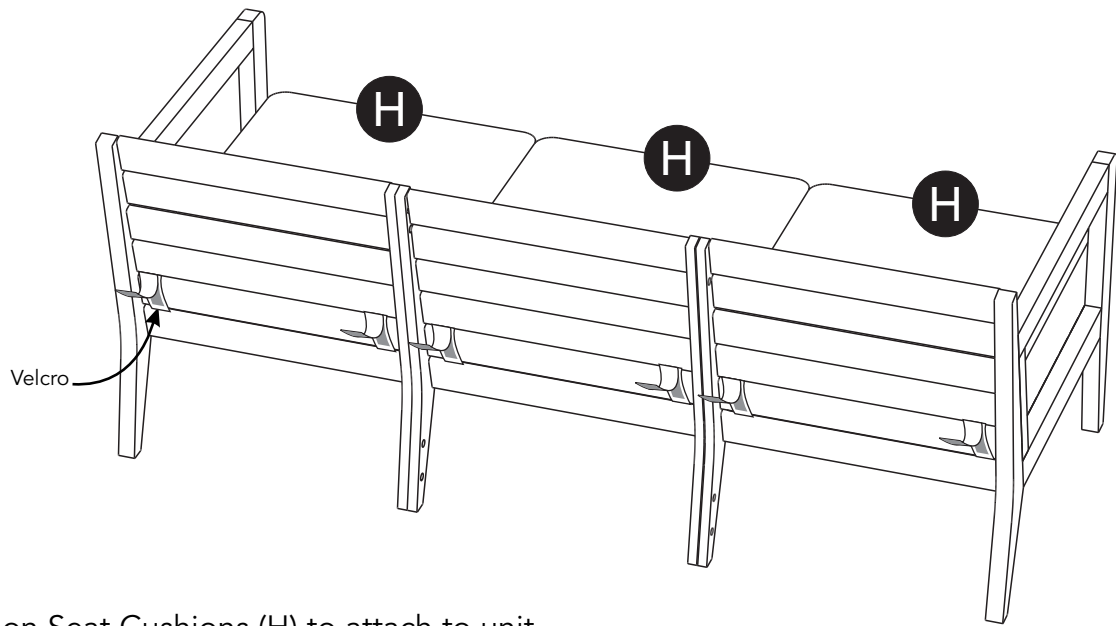
Attach Left Unit to unit with Dowels, Head Cap Bolts (short), Spring Washers and Flat Washers.



STEP 8

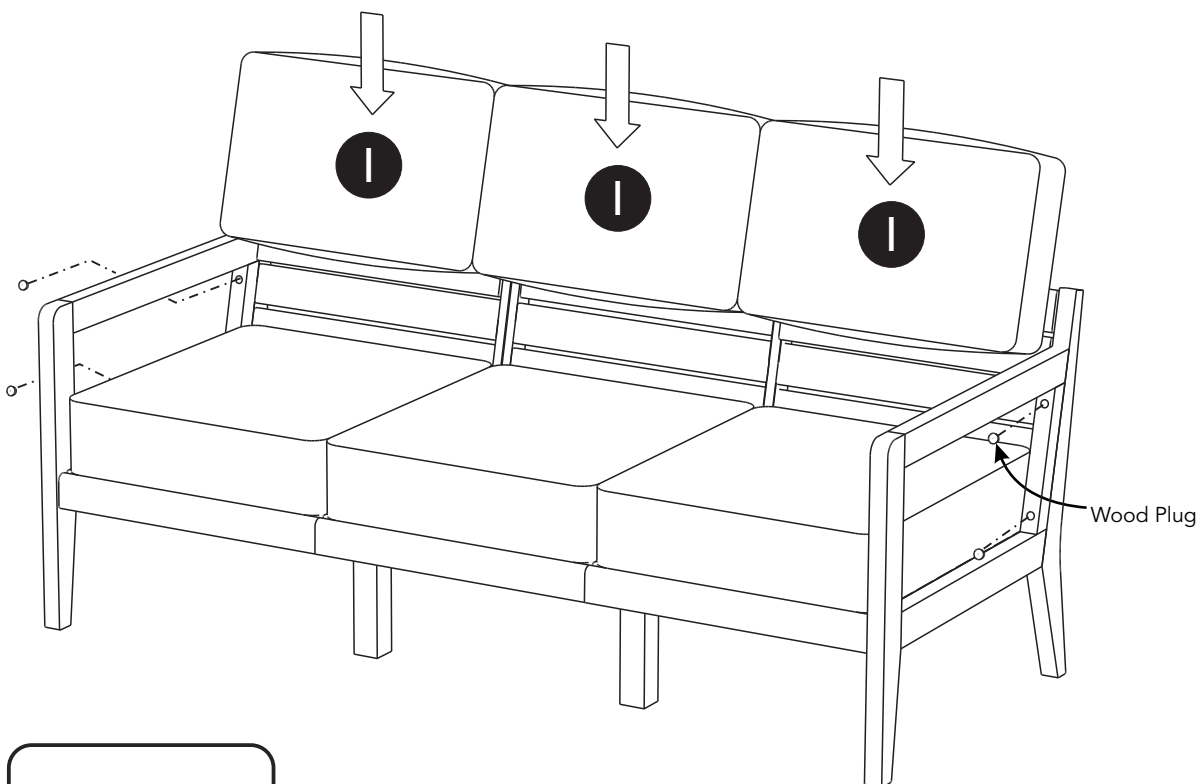
Attach Supports (G) to unit with Head Cap Bolts (long), Spring Washers and Flat Washers.

Assembly Instructions 6/6



STEP 9

Use velcro on Seat Cushions (H) to attach to unit.



STEP 10

Turn unit to its upright position.

Slide Back Cushions (I) into position.

Cover holes with Wood Plugs. (See Figure 3)

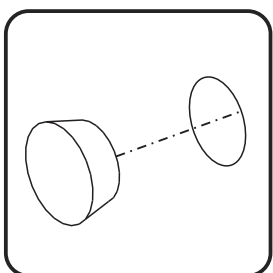
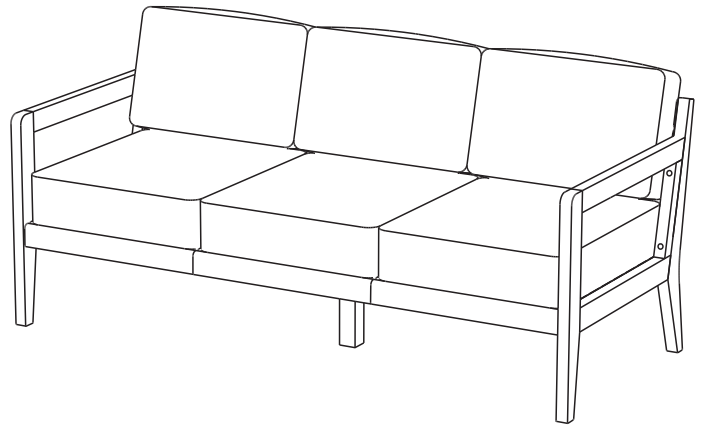


Figure 3

homestyles

5675-302

Sofa



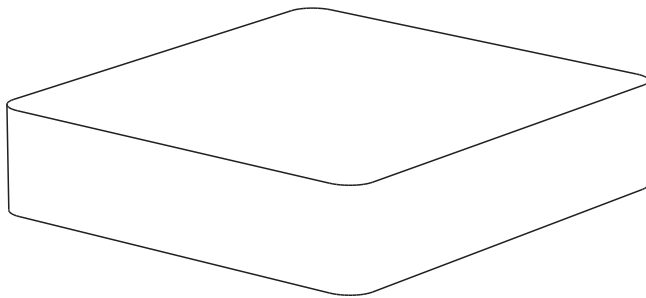
IMPORTANT

Carefully remove all the parts from the carton and place them individually on a soft cloth to prevent scratches or other damage.

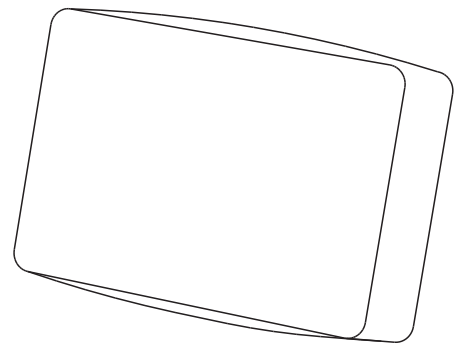
Carefully and strictly follow these assembly instructions to ensure a completed product as designed.

Do not use power tools above 8 volts to assemble.

Part List



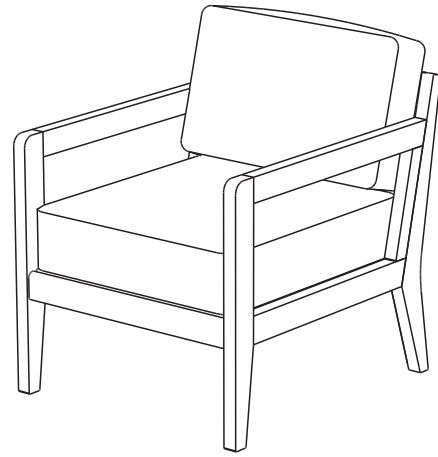
H.
Seat Cushion
3 pcs.



I.
Back Cushion
3 pcs.

For assembly see instructions in carton 5670-301.

homestyles Customer Service: www.homestylesfurniture.com,
servicedesk@homestylesfurniture.com, 888-680-7460



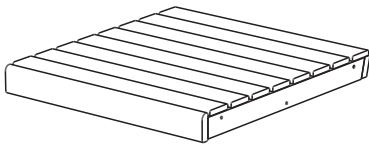
IMPORTANT

Carefully remove all the parts from the carton and place them individually on a soft cloth to prevent scratches or other damage.

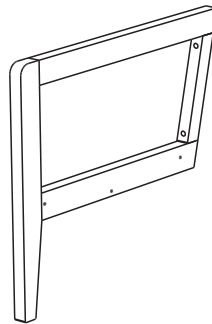
Carefully and strictly follow these assembly instructions to ensure a completed product as designed.

Do not use power tools above 8 volts to assemble.

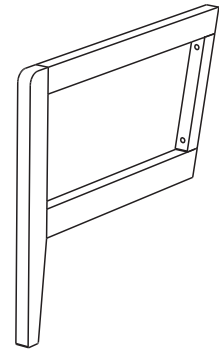
Part List



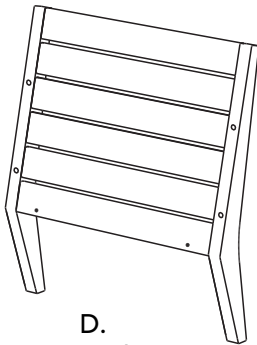
A.
Seat
1 pc.



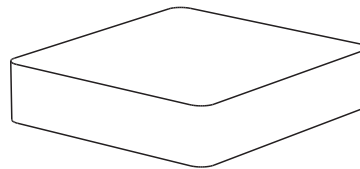
B.
Side
1 pc.



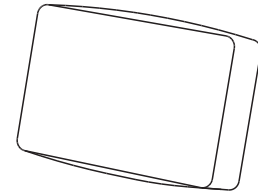
C.
Side
1 pc.



D.
Back
1 pc.

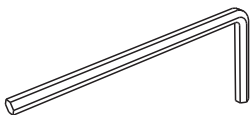


E.
Seat Cushion
1 pc.



F.
Back Cushion
1 pc.

Hardware List



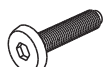
Hex Wrench
1 pc.



Small
Hex Wrench
1 pc.



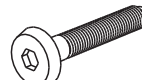
M6x30
Head Cap Bolt (short)
2 pcs. (+1 extra)



M6x45
Head Cap Bolt
6 pcs. (+1 extra)



Spring Washer
8 pcs. (+1 extra)



M8x50
Head Cap Bolt (large)
4 pcs. (+1 extra)



Flat Washer
8 pcs. (+1 extra)

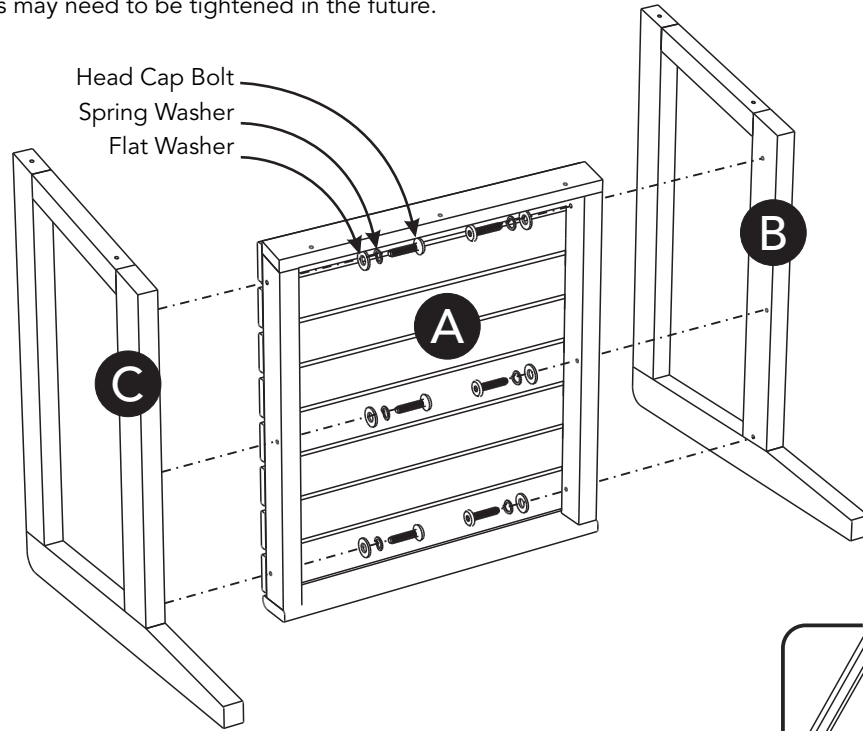


Wood Plug
4 pcs. (+1 extra)

Assembly Instructions 2/3

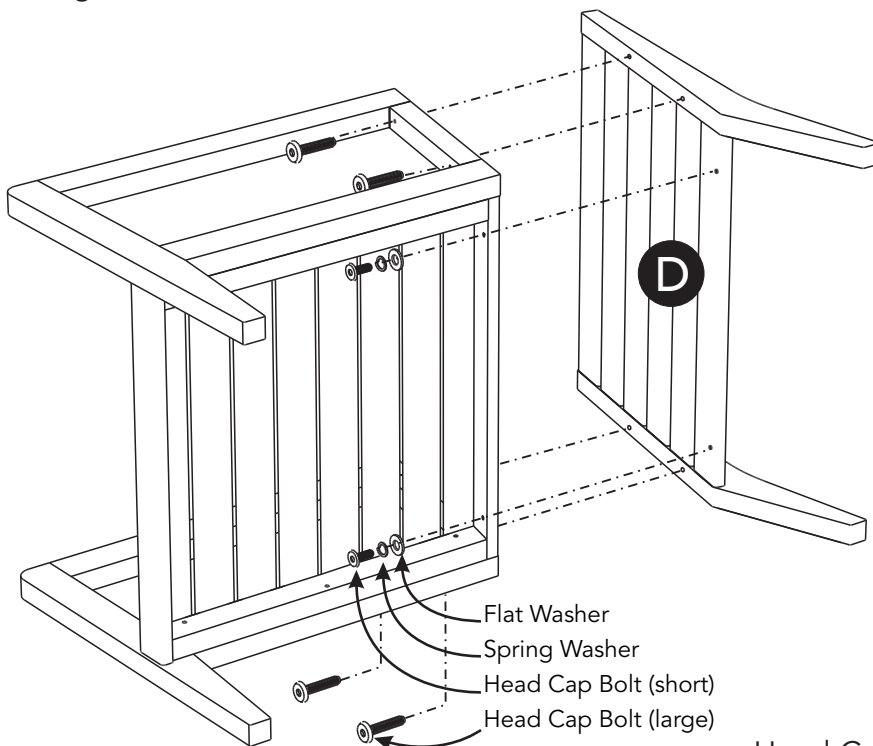
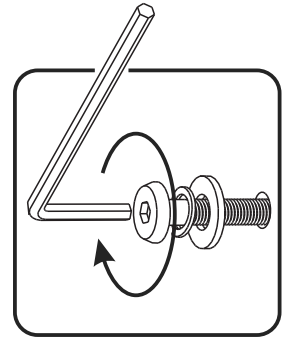
IMPORTANT

- Use a soft cloth between these parts and the floor.
- Do not use power tools above 8 volts to assemble.
- Do not tighten all the bolts until each part is properly assembled.
- Keep Hex Wrench as the bolts may need to be tightened in the future.



STEP 1

Attach Side (B) and (C) to Seat (A) with Head Cap Bolts, Spring Washers and Flat Washers, tightening bolts only halfway.
(See Figure 1)

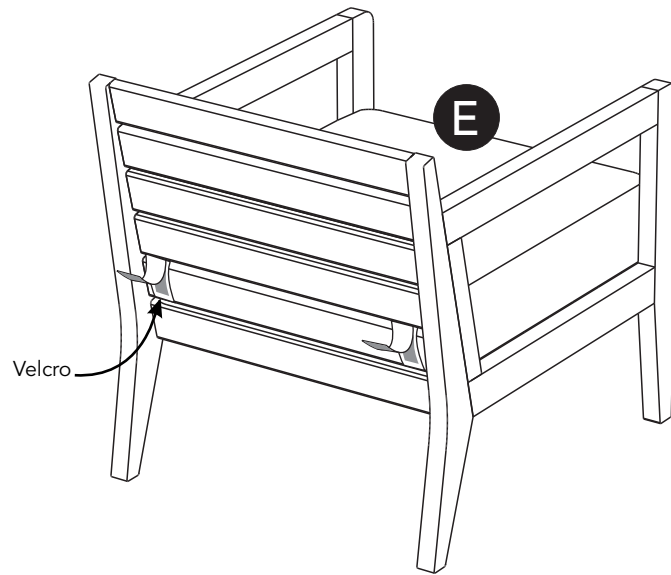


STEP 2

Attach Back (D) to unit with Head Cap Bolts (large), Head Cap Bolts (short), Spring Washers and Flat Washers, tightening bolts only halfway.

Tighten all bolts used in Steps 1 and 2.

Assembly Instructions 3/3



STEP 3

Use velcro on Seat Cushion (E) to attach to unit.

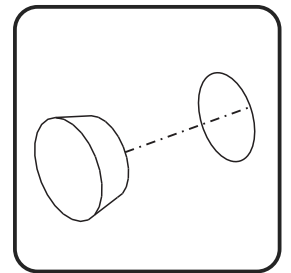
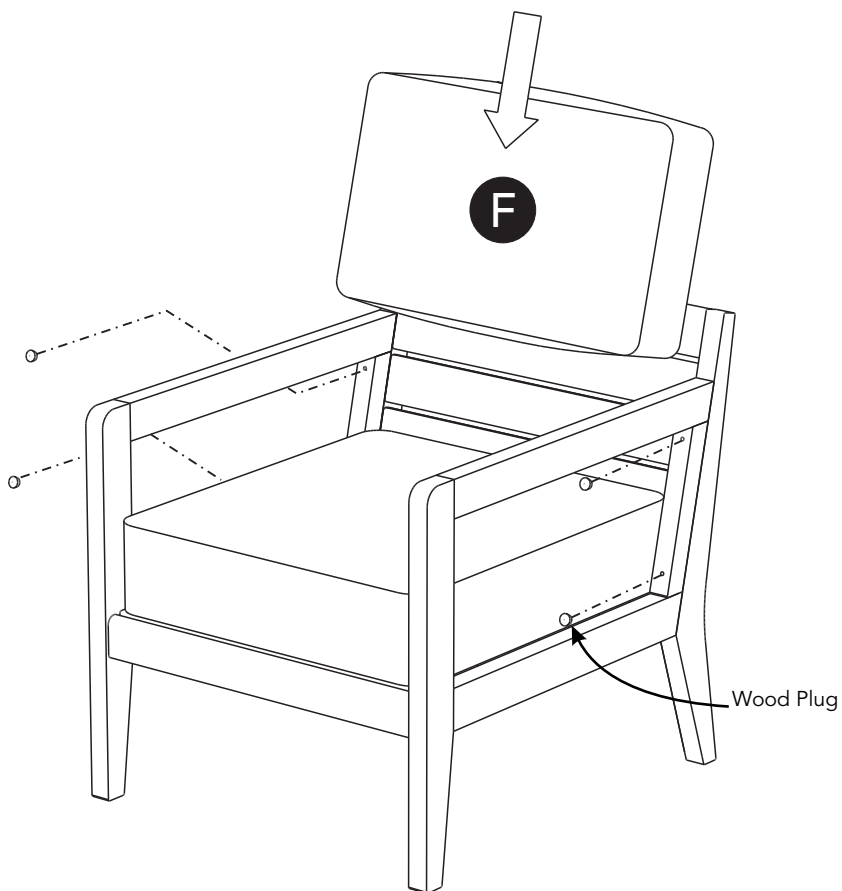


Figure 3

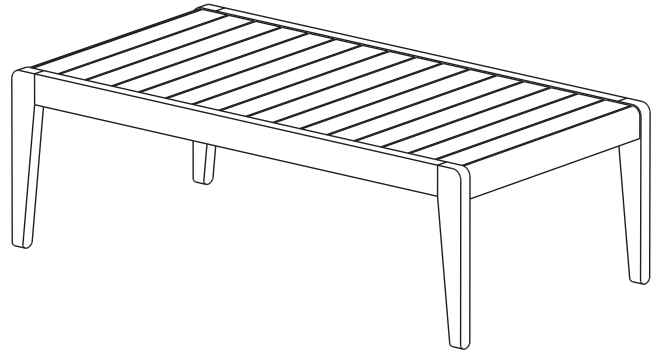
STEP 4

Turn unit to its upright position.

Slide Back Cushion (F) into position.

Cover holes with Wood Plugs. (See Figure 3)

Coffee Table



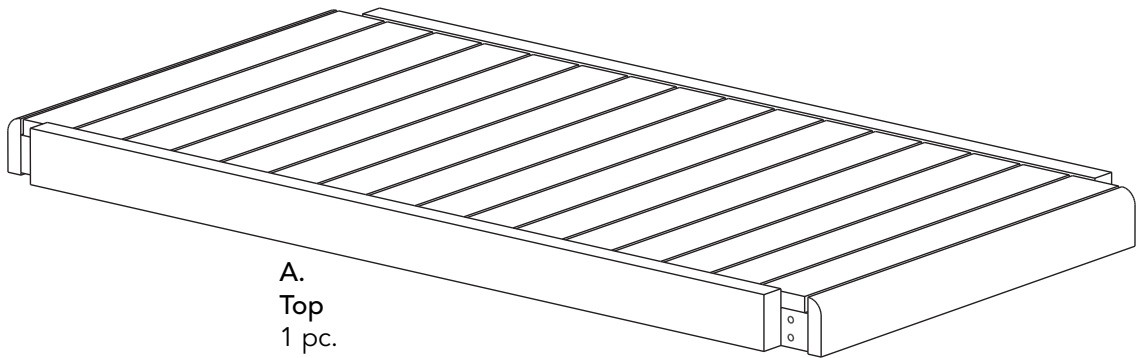
IMPORTANT

Carefully remove all the parts from the carton and place them individually on a soft cloth to prevent scratches or other damage.

Carefully and strictly follow these assembly instructions to ensure a completed product as designed.

Do not use power tools above 8 volts to assemble.

Part List



A.
Top
1 pc.



B.
Leg
2 pcs.



C.
Leg
2 pcs.

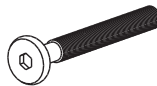
Hardware List



Hex Wrench
1 pc.



Small Hex Wrench
1 pc.



M8x60
Head Cap Bolt
8 pcs. (+1 extra)



Spring Washer
8 pcs. (+1 extra)

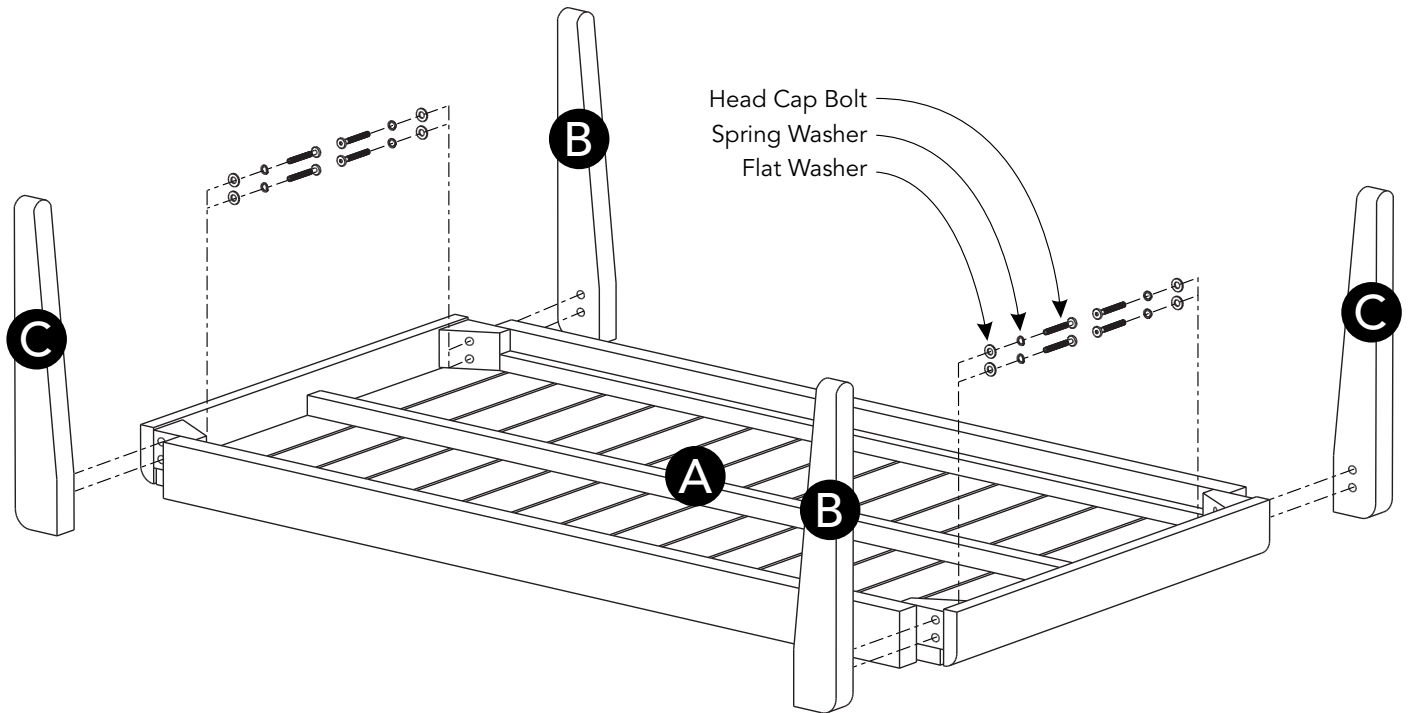


Flat Washer
8 pcs. (+1 extra)

Assembly Instructions 2/3

IMPORTANT

- Use a soft cloth between these parts and the floor.
- Do not use power tools above 8 volts to assemble.
- Do not tighten all the screws until each part is properly assembled.
- Keep Hex Wrench as the bolts may need to be tightened in the future.



STEP 1

Attach Legs (B) and (C) to Top (A) with Head Cap Bolts, Spring Washers and Flat Washers, tightening bolts only halfway. (See Figure 1)

Tighten all bolts.

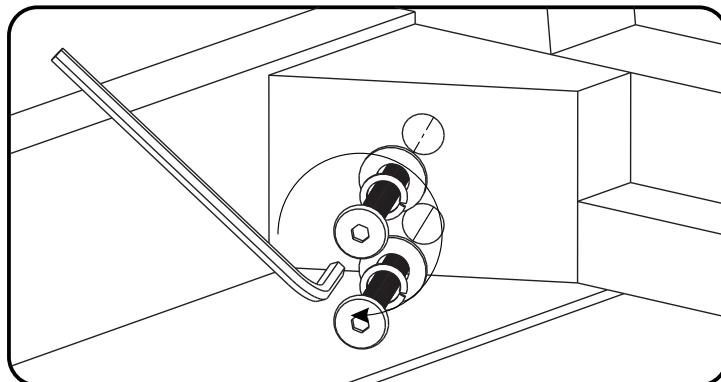
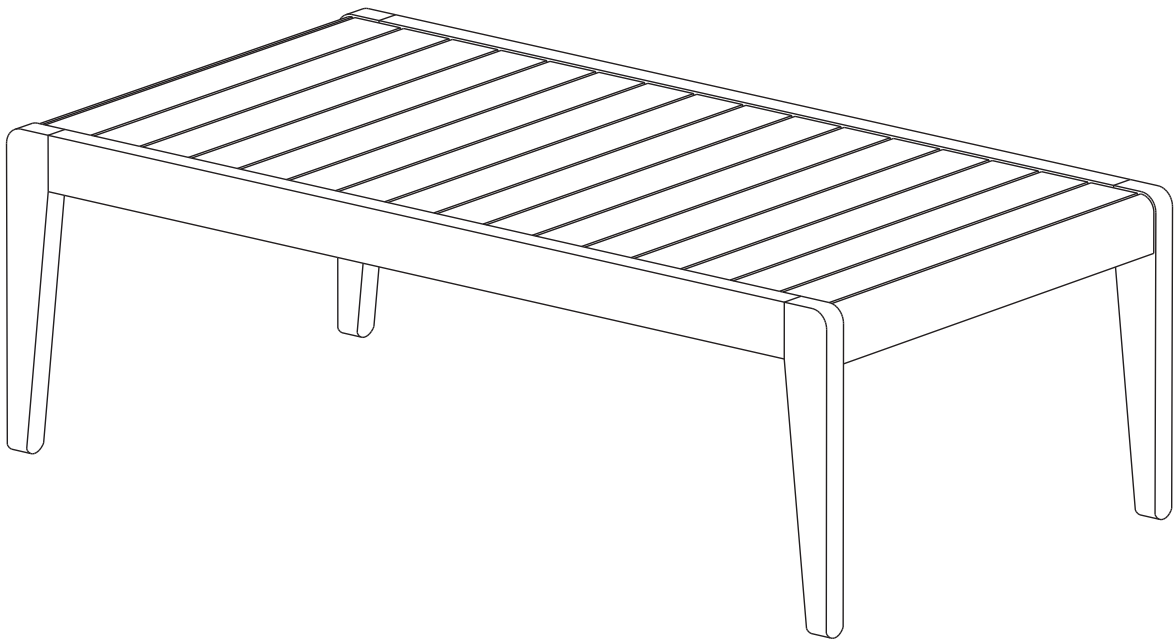


Figure 1



STEP 2

Turn unit to its upright position.

CARE INSTRUCTIONS

Advisory Notes

- Do not use power tools above 8 volts to assemble.
- Periodic structural checks of this furniture should be undertaken. Do not use if there are any doubts about its fitness for purpose.
- Exercise care so as to not trap fingers in any of the hinged parts of this furniture.
- Always use on firm level ground, ensuring that all legs remain in contact with the ground.
- Do not stand on a chair or sit or stand on any other item.
- Do not let children play with this furniture.
- This furniture should be stored under cover during periods of adverse weather (wet or cold) and during winter. Clean and dry thoroughly before storage.

Tannin Exudation

Tannin is a naturally occurring substance which may exude from the surface of some wood species and may stain the surface of hard areas such as patios or decks. To clean tannin marks use a proprietary cleaning product or a water-based wood restorer containing oxalic acid. Stains must be removed within 1-2 days of them occurring. Care should be exercised to follow the manufacturer's guidelines of the cleaner used and test a small area first to determine its effectiveness. This is especially important on wooden decking areas where the existing surface finish may be lifted due to the application of the cleaning agent. If decking has become discolored from the cleaning, it can be restored with a suitable wood finish.

Maintenance

In order to maintain the appearance of the wood, regular coatings of linseed oil must be applied. The frequency will depend on the weather conditions experienced.

- Refer to the manufacturer's guidelines of the linseed oil used.
- Apply the linseed oil with a clean cloth, wiping it directly onto the wood surface.
- Treat all surfaces of the furniture. Ensure that any hidden surfaces, such as those exposed when the furniture is turned upside down, are adequately treated. Care should be given to wipe the end grain, to all joints and to crevices that may have been caused by damage.
- Let the surface dry out. This can take 4-12 hours depending on weather conditions.
- Repeat the above steps with at least 2 more coats of oil. Extra coats may leave a semi-gloss sheen once the oil has dried, but excess oil can be wiped off with a clean cloth.
- **IMPORTANT:** Cloths with linseed oil may be a fire hazard. Immediately after use, saturate all cloths used for applying linseed oil with water and dispose of safely outside the home.

If left untreated, this furniture will turn a grayish color. Light sanding can restore the original color after which linseed oil can be applied. Fine surface cracks may occur over time from weathering, but these won't affect the structural integrity of the furniture.

homestyles will provide replacements free of charge for missing or damaged parts within 1 year of purchase. Digital images of the defective parts may be required. If the product was not purchased from an authorized retailer, **homestyles** is under no obligation to provide replacement parts. Parts are not available for fully assembled items nor are parts available for sale. Replacements for missing or damaged parts may be requested via contact info below.

**homestyles Customer Service: www.homestylesfurniture.com,
servicedesk@homestylesfurniture.com, 888-680-7460**