



ASSEMBLY INSTRUCTION

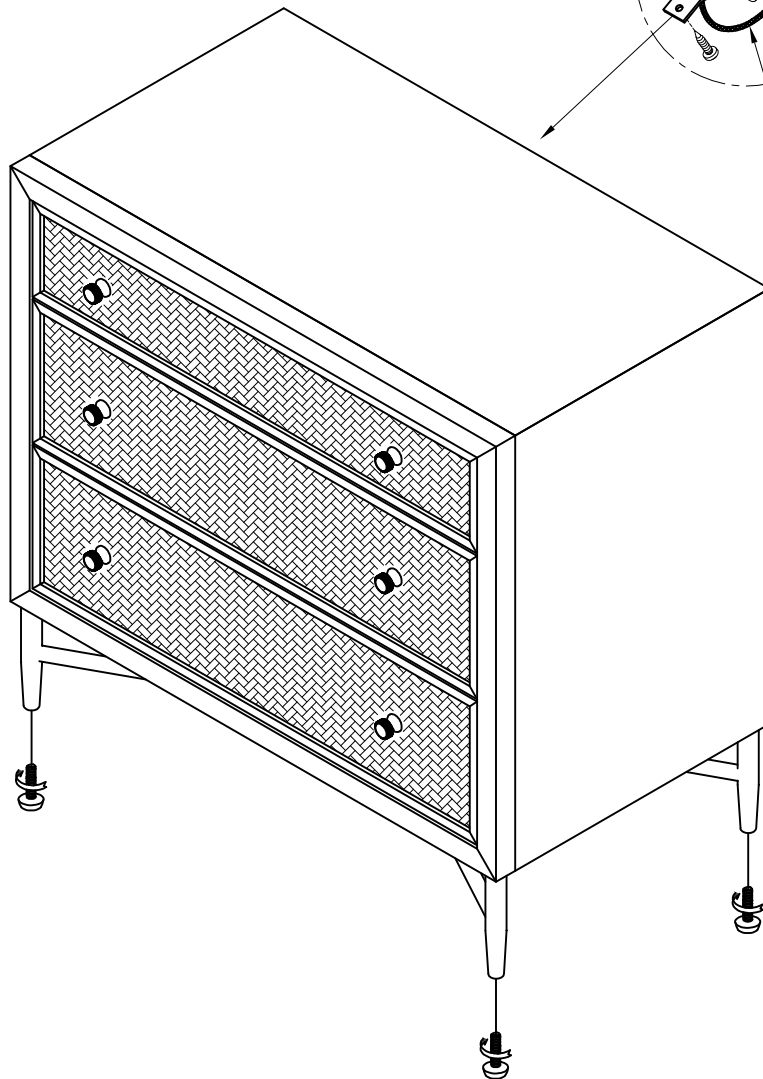
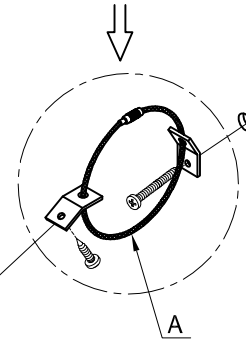
Item: 6072-90216-85 Three-Drawer Nightstand

Thank you for purchasing this quality product. Be sure to unpack carefully looking for small parts which may have come loose during shipment.

Read all instruction and study the drawing carefully before starting the assembly process.

HARDWARE LIST				
NO	DRAWING	DESCRIPTION	SIZE	Qty
A		TIPPING RESTRAINT		1pc
B		Allen Wrench	4 mm	1pc

Tipping restraint here.



Adjustable Leveler
(x 4 pcs)