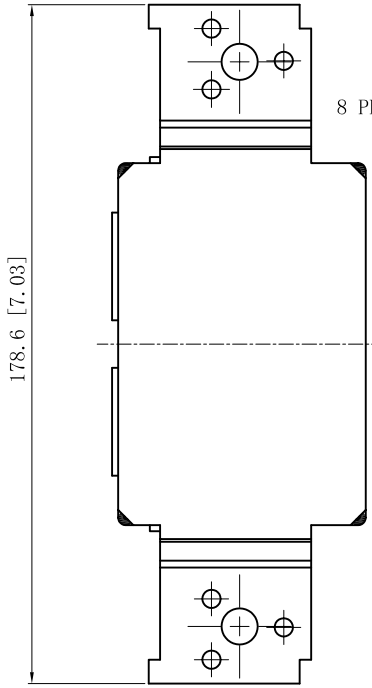
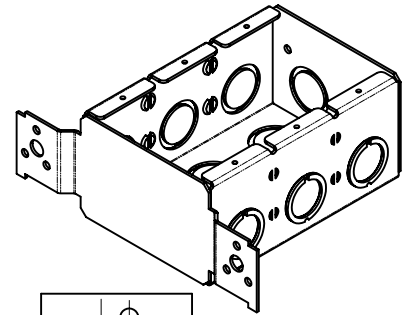
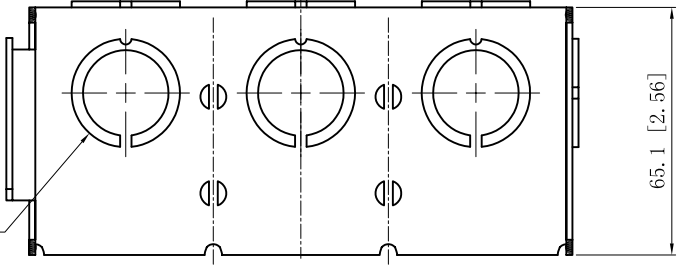
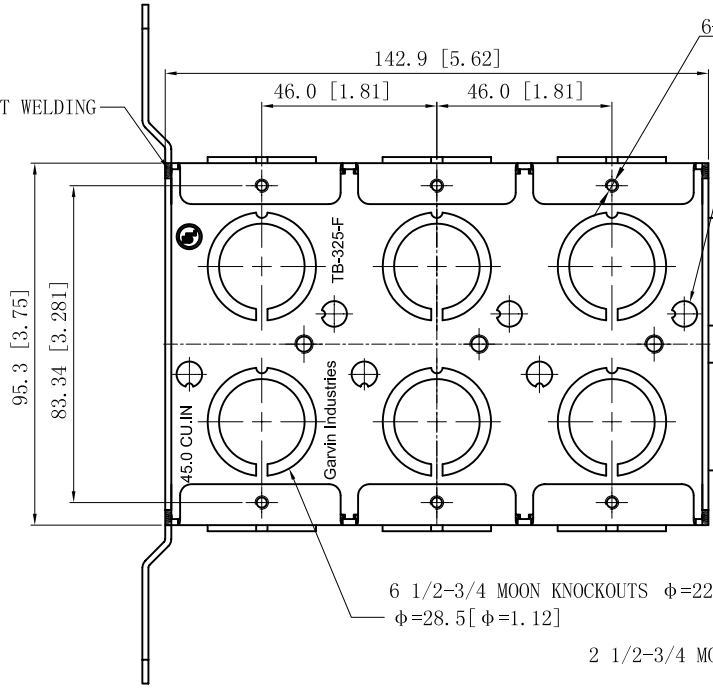


SIDES	BOTTOM
8 1/2"-3/4" MOON KNOCKOUTS	6 KNOCKOUTS
	6 1/2"-3/4" MOON KNOCKOUTS
Material: Steel-0.0625"-G60 Galvanized	

6 1/2"-3/4" MOON KNOCKOUTS $\phi=22.50$ [$\phi=0.886$]
 $\phi=28.50$ [$\phi=1.122$] MIRROR



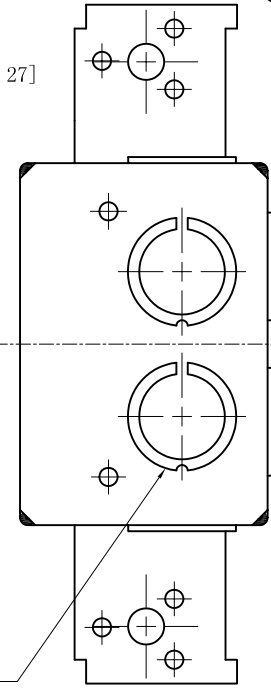
8 PLACES SPOT WELDING



6-#6-32 UNC HOLE
 6 KNOCKOUTS $\phi=6.75$ [$\phi=0.27$]

6 1/2-3/4 MOON KNOCKOUTS $\phi=22.5$ [$\phi=0.89$]
 $\phi=28.5$ [$\phi=1.12$]

2 1/2-3/4 MOON KNOCKOUTS $\phi=22.5$ [$\phi=0.89$]
 $\phi=28.5$ [$\phi=1.12$]



DESCRIPTION
TRADE REFERENCE TERMS

This data sheet is for reference only .GARVIN INDUSTRIES reserves the right to make changes to the design without prior notice.

STANDARD PACKING	GARVIN INDUSTRIES		
	TITLE SOLID MASONRY BOXS WITH "F" STYLE BRACKET		
5 PCS	SIZE	DWG NO.	REV
	A4	TB-325-F	B
DATA SHEET			