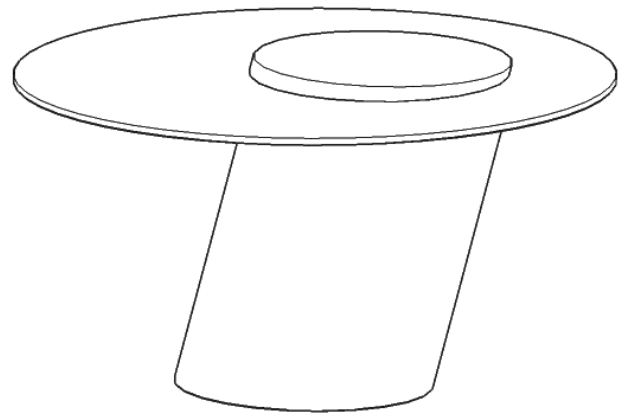


homestyles

20 08200 0212

Coffee Table



IMPORTANT

Carefully remove all the parts from the carton and place them individually on a soft cloth to prevent scratches or other damage.

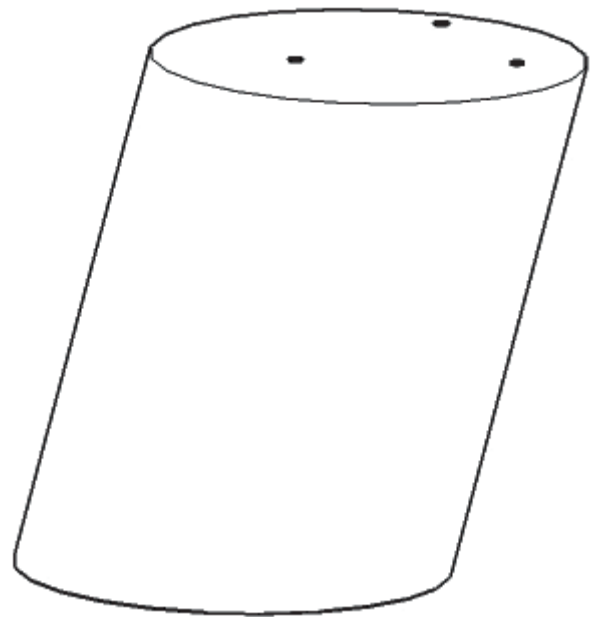
Carefully and strictly follow these assembly instructions to ensure a completed product as designed.

Do not use power tools above 8 volts to assemble.

Part List



B.
Cap
1 pc.



C.
Base
1 pc.

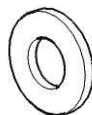
Hardware List



Key Wrench
1 pc.



M8x70
Bolt
3 pcs. (+1 extra)



Rubber Washer
3 pcs. (+1 extra)



Flat Washer
3 pcs. (+1 extra)



Nut
3 pcs. (+1 extra)

Carton 20 08200 0211 is also needed for assembly.

Home Styles Customer Service: www.homestyles-furniture.com,
servicedesk@homestyles-furniture.com, 888-680-7460, 877-831-0319

Assembly Instructions 2/3

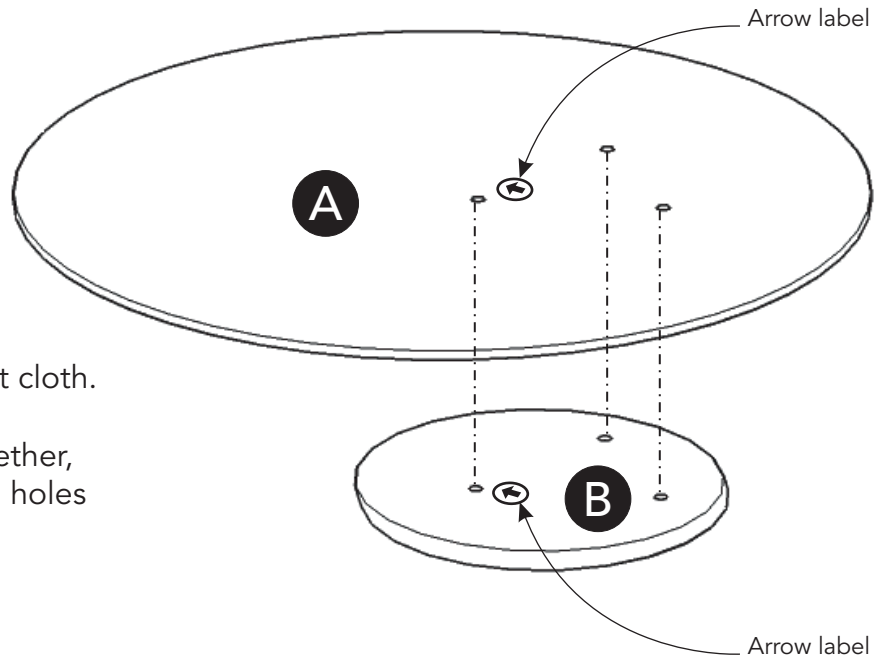
IMPORTANT

- Use a soft cloth between these parts and the floor.
- Do not use power tools above 8 volts to assemble.
- Do not tighten all the bolts until each part is properly assembled.
- The unit must be level to work properly. Use the included adjustable levelers to level.
- Keep Key Wrench as the nuts may need to be tightened in the future.

STEP 1

Place Cap (B) upside down on a soft cloth.

Putting holes with Arrow labels together, place Top (A) onto Cap (B), aligning holes in Top (A) with holes in Cap (B).



STEP 2

Insert Bolts through holes in Top (A) and into holes in Cap (B), then tighten. (See Figure 1)

Place Rubber Washers on Top (A). (See Figure 2)

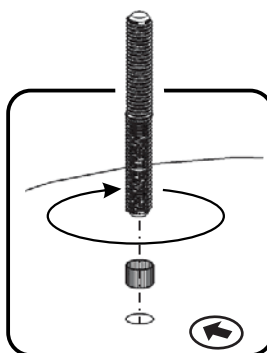
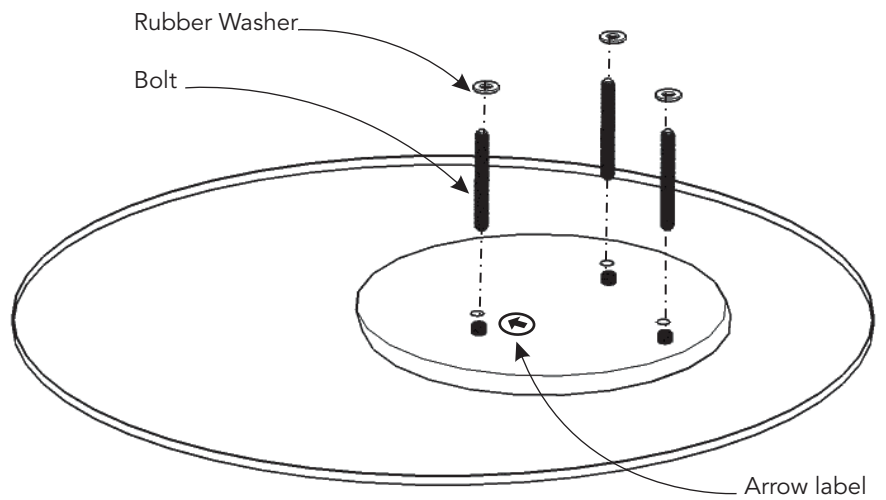


Figure 1

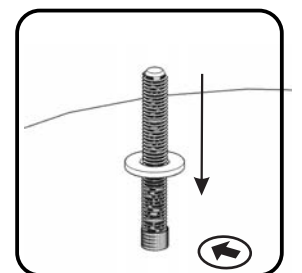


Figure 2

Assembly Instructions 3/3

STEP 3

Putting holes with Arrow labels together, attach Base (C) to unit with Flat Washers and Nuts.
(See Figure 3)

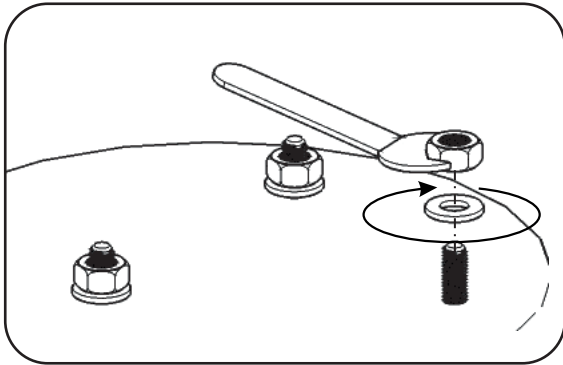
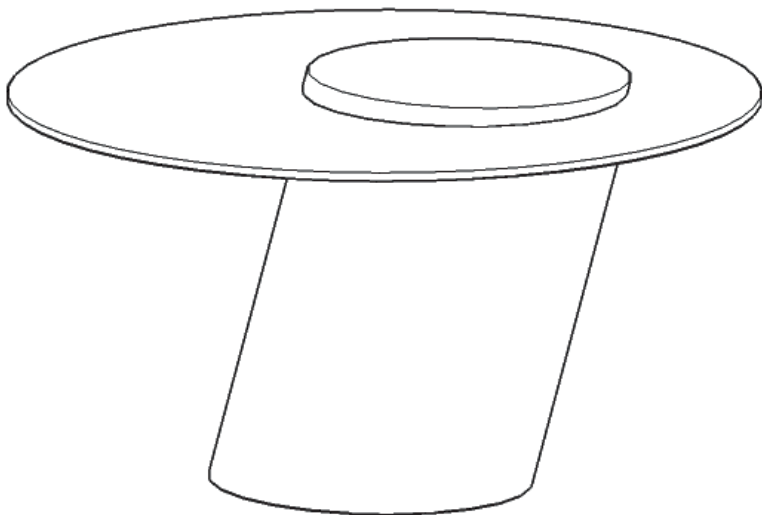
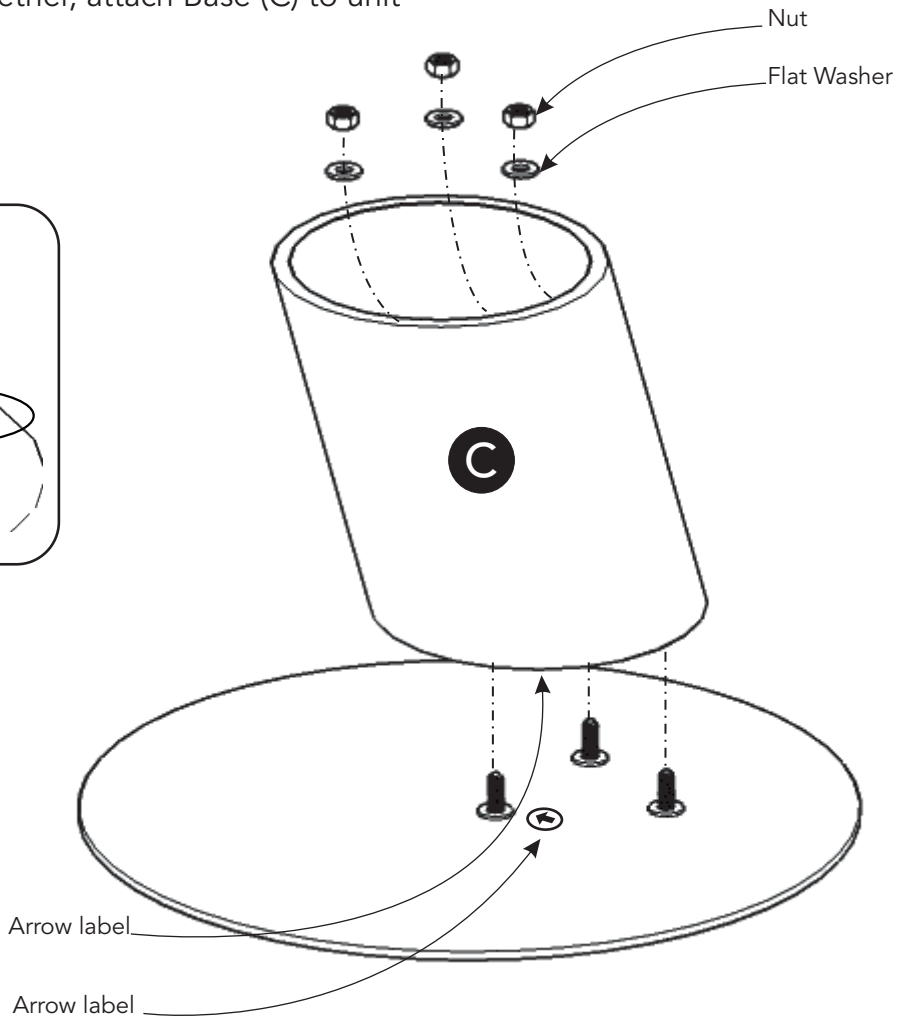


Figure 3



STEP 4

Turn unit over to its' upright position.

CARE INSTRUCTIONS

NEVER

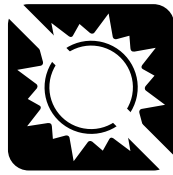
allow liquids to remain on furniture.
Absorption causes parts to warp
and split and finishes to delaminate.

NEVER

use glass cleaners on
finished furniture. Ammonia
chemically attacks the finish.



Do not use power tools
above 8 volts to assemble.
**PREVENT
CRACKING**



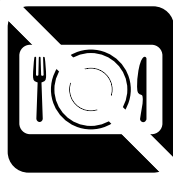
Do not place
in direct sunlight.
**PREVENT
FADING**



Do not write
directly on surface.
**PREVENT
MARKING**



Do not place hot
objects on surface.
**PREVENT
FINISH DAMAGE**



Do not use rubber
based placemats.
**PREVENT
DISCOLORING**



Do not use commercial
waxes and polishes.
**PREVENT
YELLOWING**

CLEAN

with a soft cloth moistened
in lukewarm soap and water.
Buff with a dry clean cloth.



Home Styles will provide replacements free of charge for missing or damaged hardware or parts within 30 days of purchase. Digital images of the defective parts may be required. If the product was not purchased from an authorized retail affiliate, Home Styles is under no obligation to provide replacement parts. Parts are not available for fully assembled items nor are parts available for sale. Replacements for missing or damaged hardware or parts may be requested at:

www.homestyles-furniture.com/customer-service/replacement-parts

Home Styles Customer Service: www.homestyles-furniture.com,
servicedesk@homestyles-furniture.com, 888-680-7460, 877-831-0319