

Assembly Instructions

Wall Shelf



Please provide the following information when contacting for parts or questions: the name of the company you purchased from, the tracking number of the original package, and the original order date.

We offer free replacements for 1 year (purchase verification required). This replacement policy does not cover used/previously returned product or products sold by unauthorized third party vendors.

ASSEMBLY INSTRUCTIONS - IMPORTANT

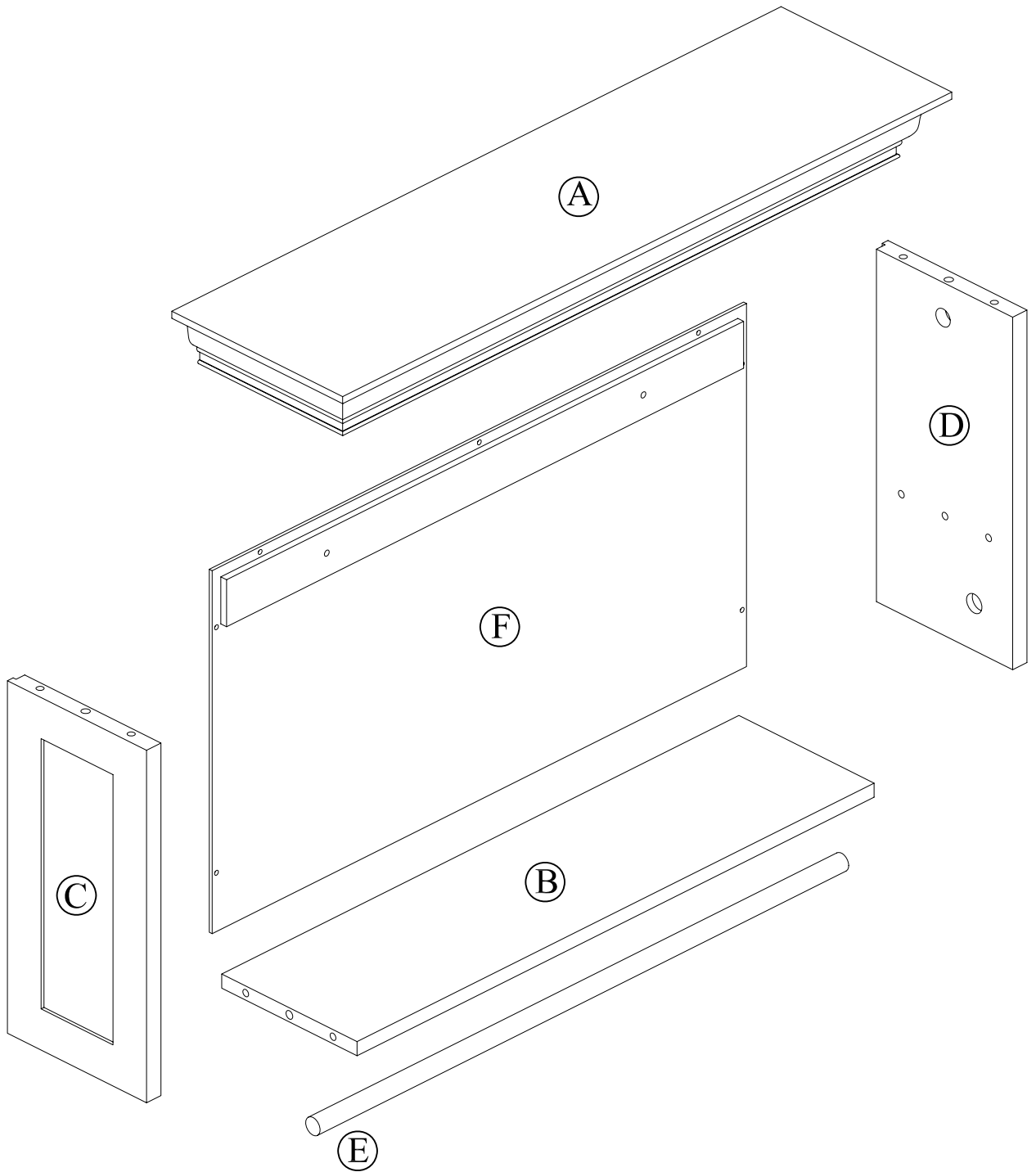
Carefully unpack & identify each component before attempting to assemble. Refer to parts list. Please take care when assembling the unit and always set the parts on a clean, soft surface. If you require any assistance with assembly, parts, please call the company you place order with or please email to: service@eleganthf.net.

INSTRUCCIONES PARA ARMAR - IMPORTANTE :

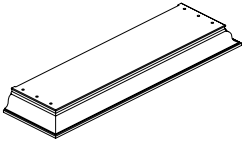
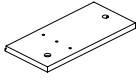
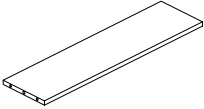
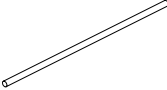
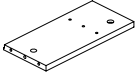
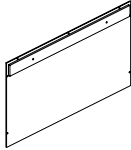
Desempaque cuidadosamente e identifique cada componente antes de tratar de empezar su ensambladura. Verifique la lista de partes. Por favor tenga cuidado cuando arme la unidad y siempre coloque las piezas sobre una superficie plana, suave y limpia. Si necesita ayuda con el armado, envíe un correo electrónico a service@eleganthf.net.

DIRECTIVES DE MONTAGE-IMPORTANT:

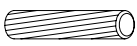
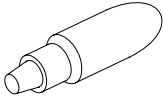



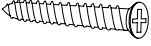

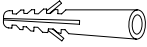
Avant de commencer l'assemblage, déballez délicatement toutes les pièces et repérez-les sur la liste des pièces. Procédez avec soins durant l'assemblage et posez toujours les pièces sur une surface propre, douce et lisse. Si vous plait e-mail à service@eleganthf.net.



COMPONENTS

PART	FIGURE	DESCRIPTION	QTY	PART	FIGURE	DESCRIPTION	QTY
A		TOP SHELF	1PC	D		SIDE PANEL-RIGHT	1PC
B		BOTTOM SHELF	1PC	E		Round Bar	1PC
C		SIDE PANEL-LEFT	1PC	F		BACK PANEL	1PC

HARDWARE & TOOLS

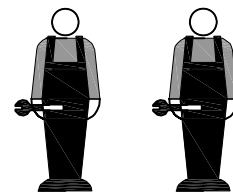
PART	FIGURE	DESCRIPTION	QTY	PART	FIGURE	DESCRIPTION	QTY
1		WOODEN DOWEL	8PCS	5		GLUE	1PC
2		PIN	4PCS	6	 Ø3*12 mm	SCREW	7PCS
3		CAM LOCK	4PCS	7	 Ø4*50mm	SCREW	2PCS
4		CAM LOCK CAP	4PCS	8		ANCHOR	2PCS

TOOL NEEDED:

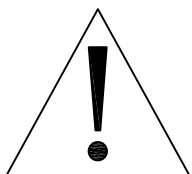


**PHILIPS SCREWDRIVER REQUIRED
- NOT INCLUDED**

SUGGESTION:



TWO PEOPLE FOR ASSEMBLING



WARNINGS:

1. DO NOT LET ANY SHARP OBJECTS TOUCH OR RUB THE SURFACE OF THE PRODUCT.
2. WHEN ASSEMBLING, DO NOT LET CHILDREN PLAY AROUND THE WORKING AREA.
3. PLEASE CONFIRM ALL PARTS ARE CORRECT BEFORE STARTING THE ASSEMBLY PROCESS.
4. DO NOT TIGHTEN ALL BOLTS AND SCREWS COMPLETELY UNTIL THE ENTIRE UNIT HAS BEEN ASSEMBLED AND SET UP.

1

1



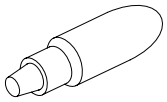
8pcs

2

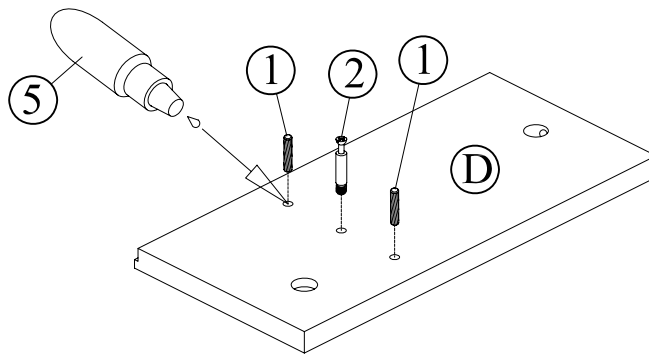
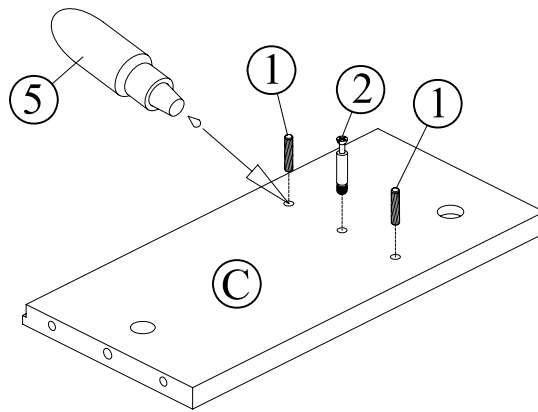
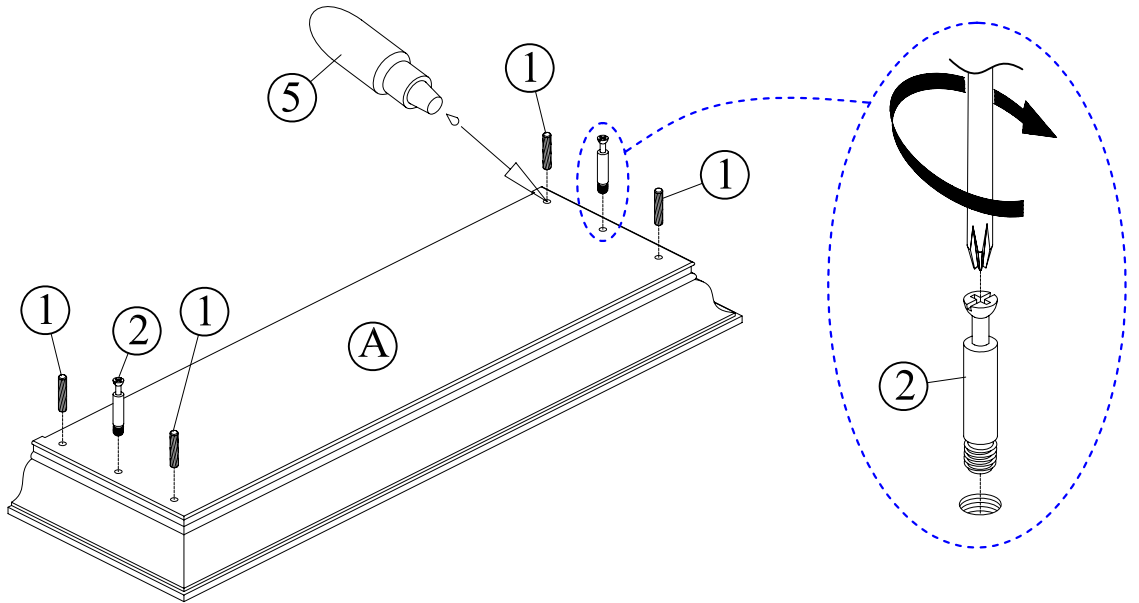


4pcs

5



1pc



STEP 1:

1. Fill dowel hole half way with Glue #5.
Wooden Dowel #1 may push out excess glue-wipe off excess glue.
2. Insert the Wooden Dowel #1 and the Pin #2 into the hole on the Top Shelf A ,tighten the Pin #2.
3. Insert the Wooden Dowel #1 and the Pin #2 into the hole on the Side Panel-Left C and the Side Panel-Right D,tighten the Pin #2.

2

3

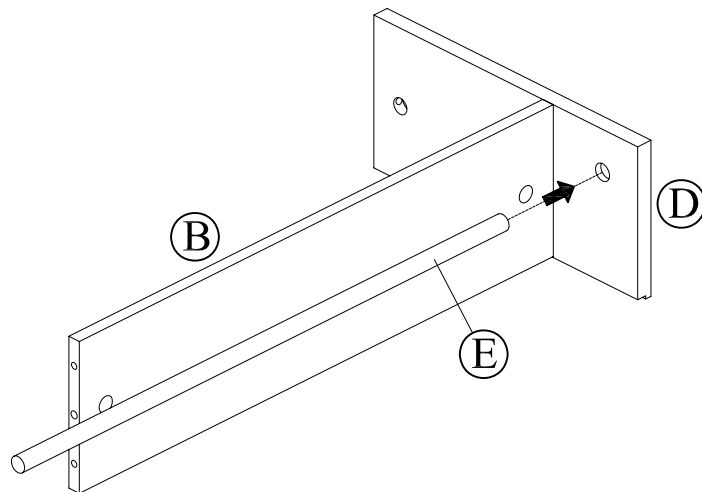
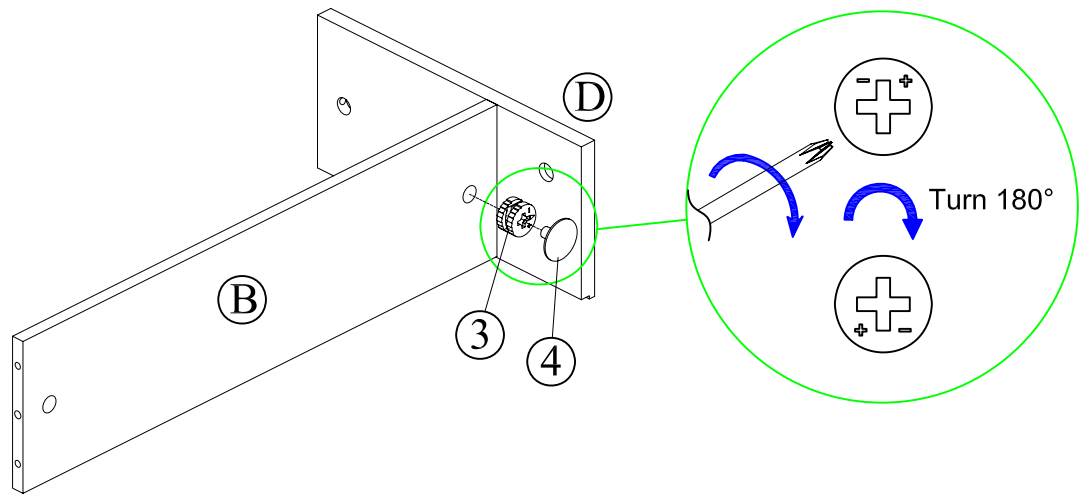
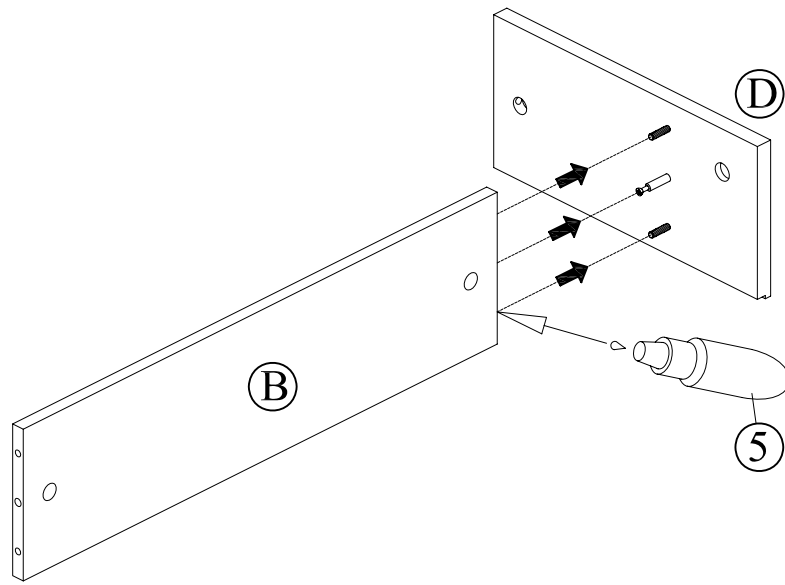


1pc

4



1pc



STEP 2:

1. Fill dowel hole half way with Glue #5.
Wooden Dowel #1 may push out excess glue-wipe off excess glue.
2. Connect the Bottom Shelf B to the Side Panel-Right D with the Wooden Dowel #1 and the Pin #2.
3. Insert the Cam Lock #3 into the hole on the Bottom Shelf B, tighten the Cam Lock #3 to the Pin #2, insert the Cam Lock Cap #4 when finish.
4. Insert the Round Bar E into the hole on the Side Panel-Right D.

3

3

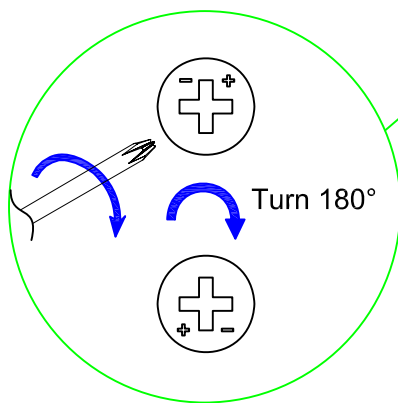
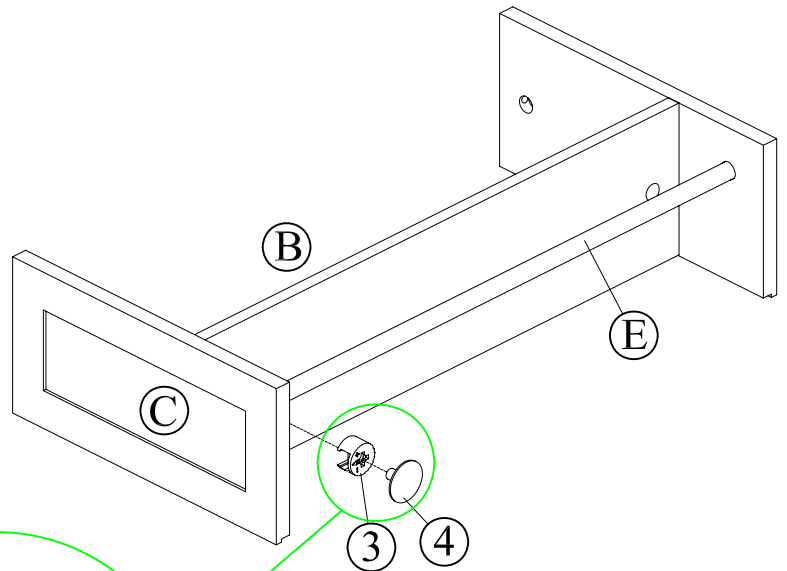
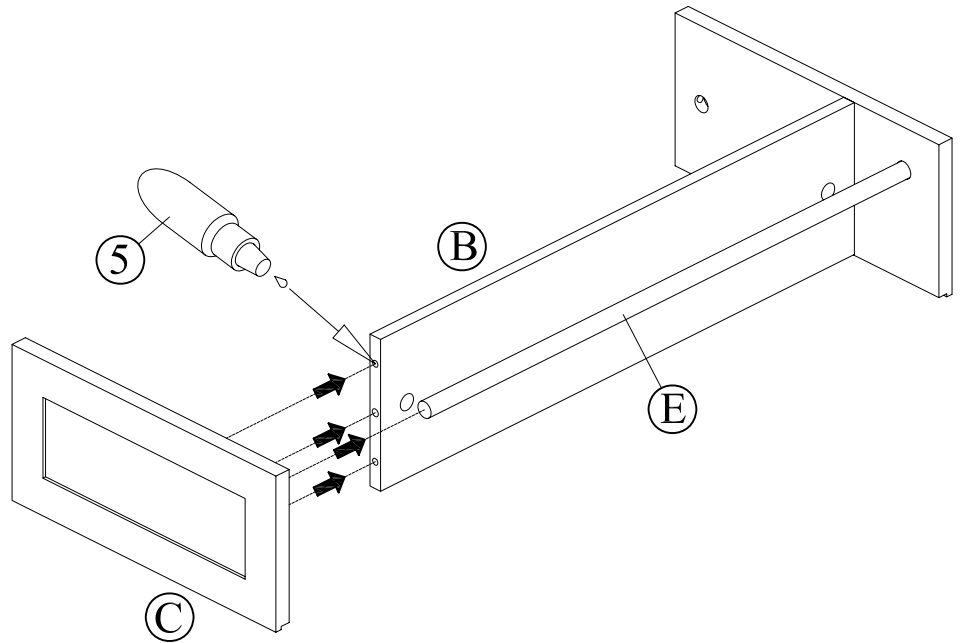


1pc

4



1pc



STEP 3:

1. Fill dowel hole half way with Glue #5.
Wooden Dowel #1 may push out excess glue-wipe off excess glue.
2. Connect the Bottom Shelf B and the Round Bar E to the Side Panel-Left C with the Wooden Dowel #1 and the Pin #2. Insert the Round Bar E into the hole on the Side Panel-Left C.
3. Insert the Cam Lock #3 into the hole on the Bottom Shelf B, tighten the Cam Lock #3 to the Pin #2, insert the Cam Lock Cap #4 when finish.

4

3

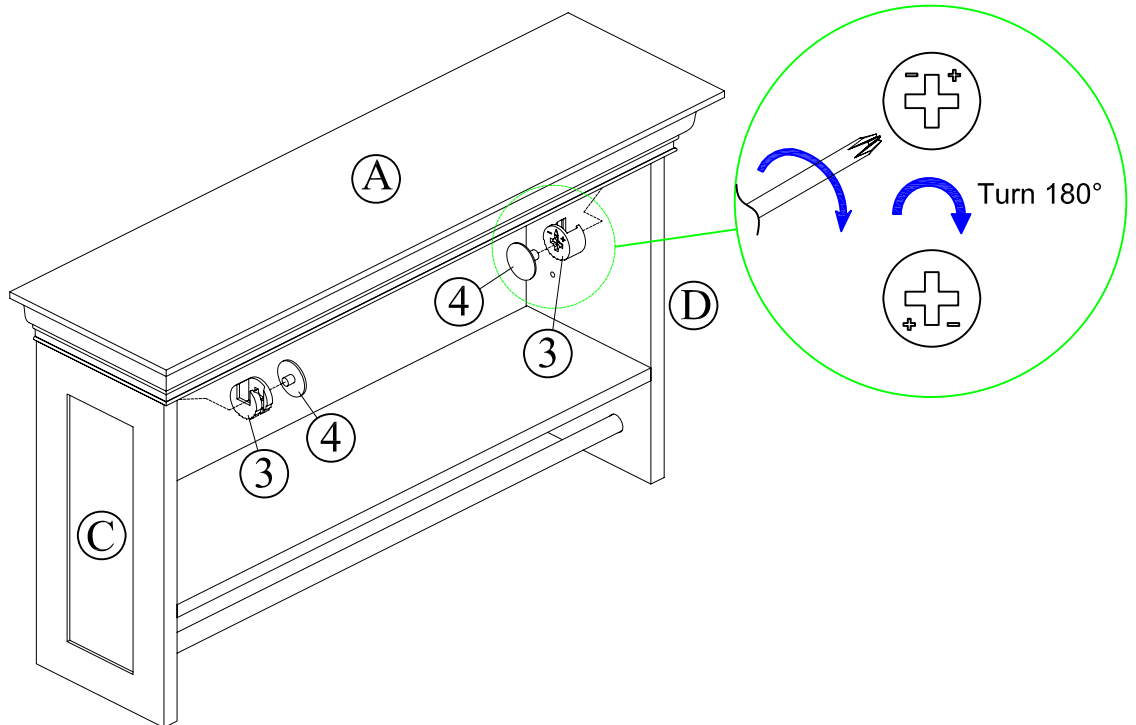
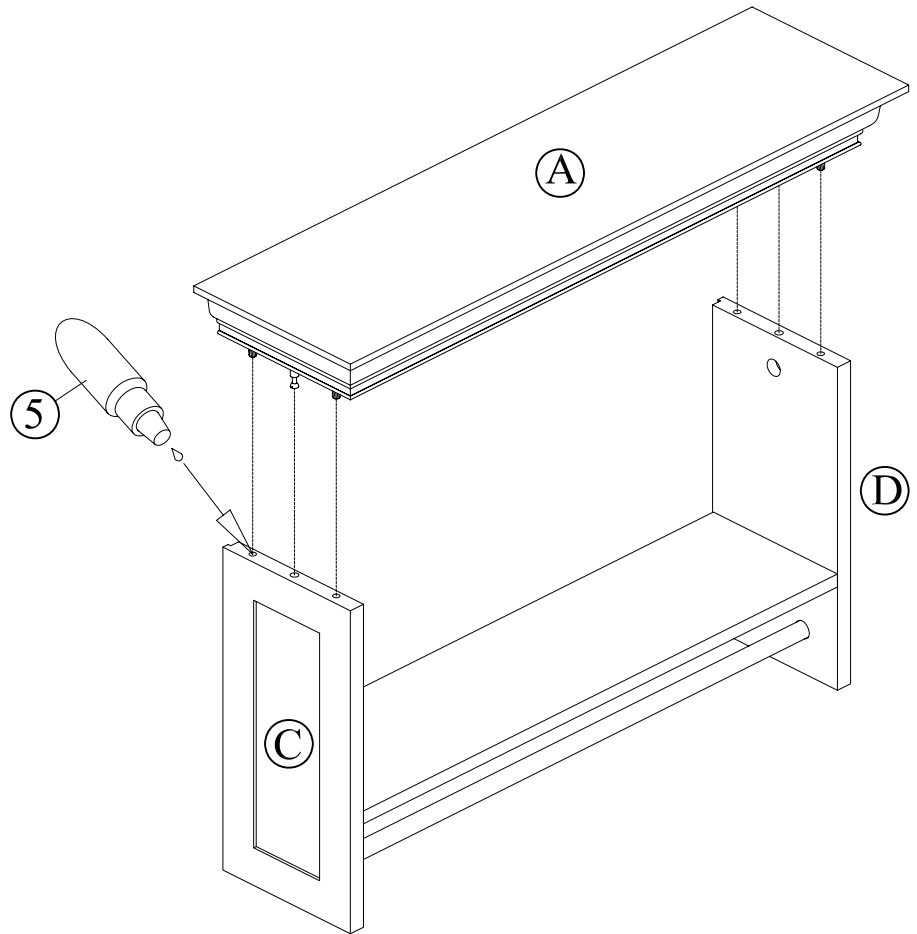


2pcs

4



2pcs

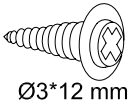


STEP 4:

1. Fill dowel hole half way with Glue #5.
Wooden Dowel #1 may push out excess glue-wipe off excess glue.
2. Connect the Top Shelf A to the Side Panel-Left C and the Side Panel-Right D with the Wooden Dowel #1 and the Pin #2.
3. Insert the Cam Lock #3 into the hole on the Side Panel-Left C and the Side Panel-Right D, tighten the Cam Lock #3 to the Pin #2, insert the Cam Lock Cap #4 when finish.

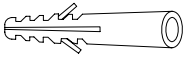
5

6

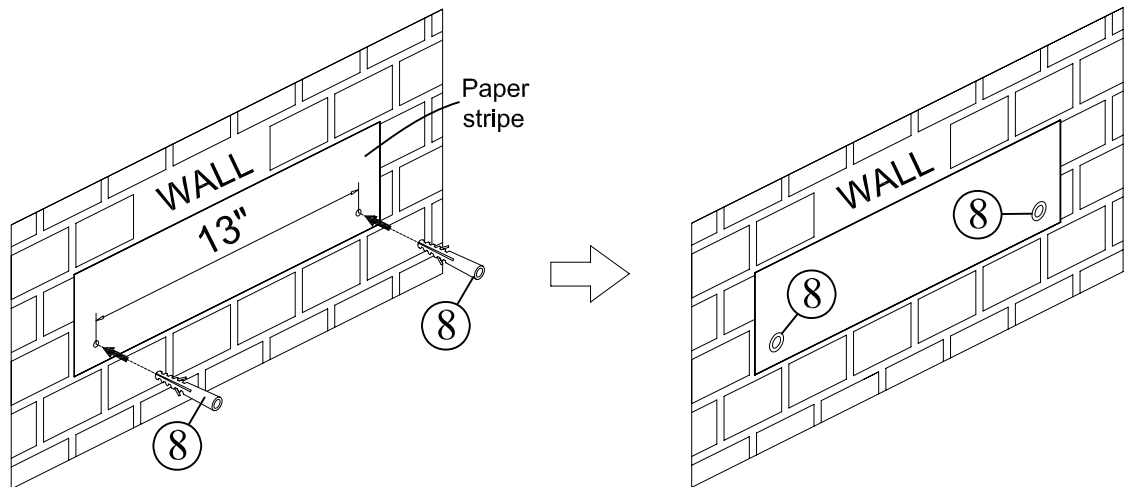
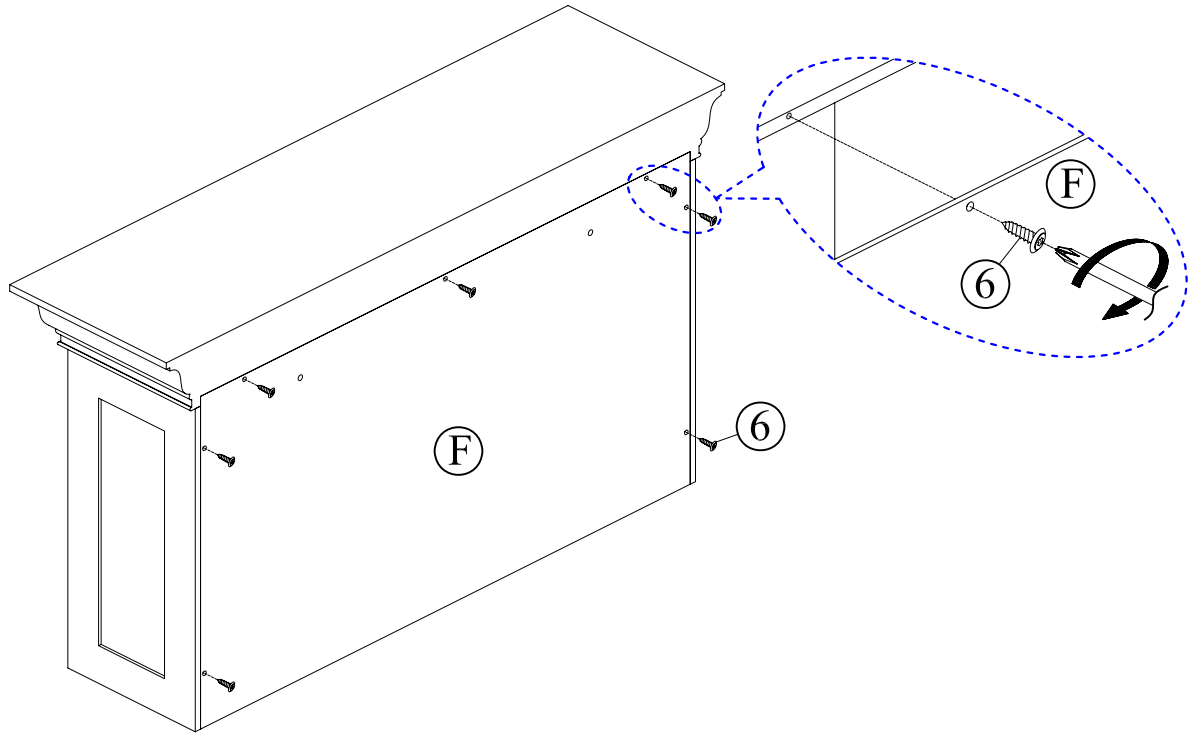


7pcs

8



2pcs

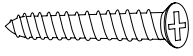


STEP 5:

1. Connect the Back Panel F to the main body with the Screw #6, tighten the Screw #6.
2. We provide Alignment Paper Strip to help you to install the Wall Shelf on the wall. Place Alignment Paper on the desire location and make sure it is horizontal. Pre-drill anchor holes, and install anchor #8.

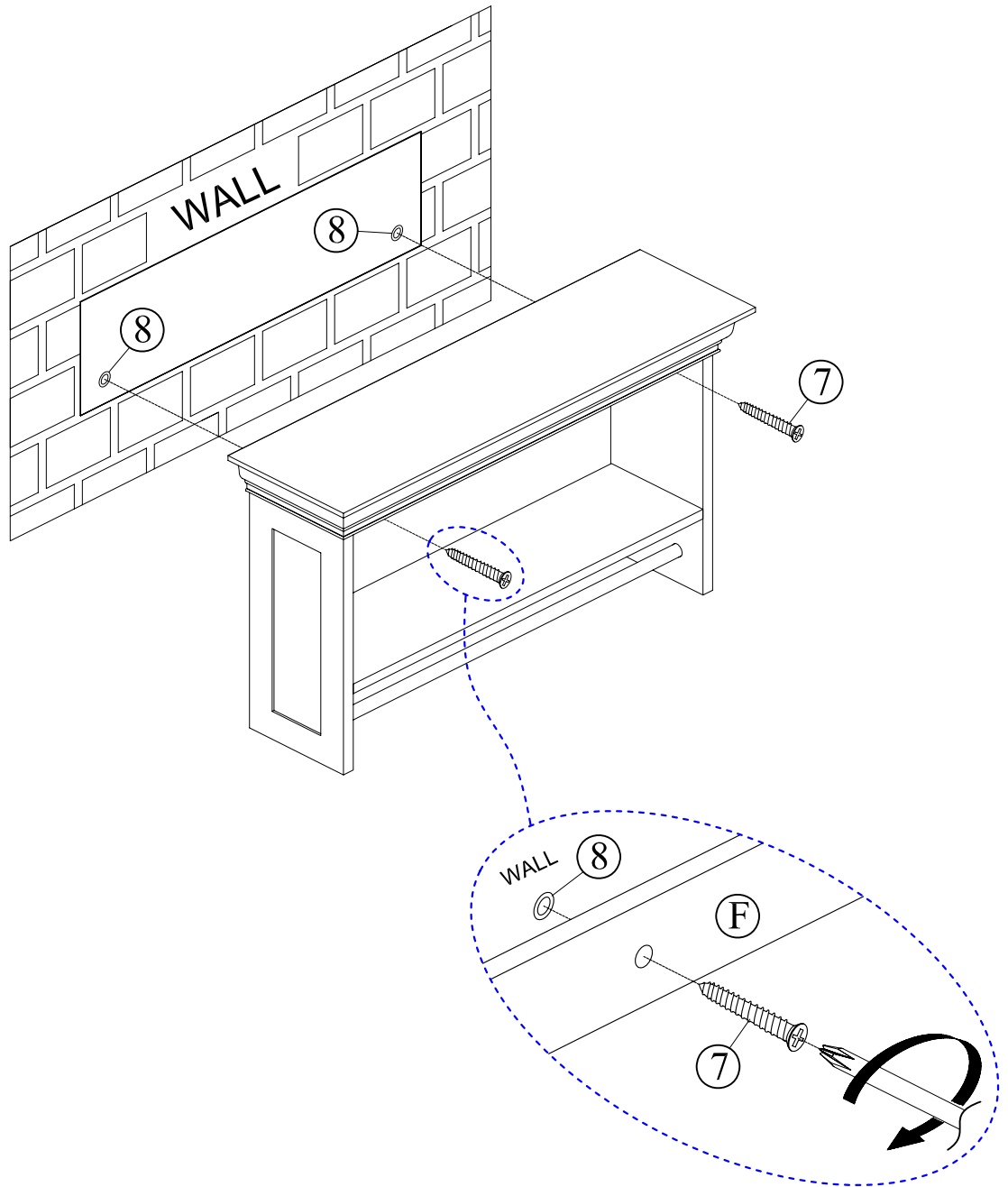
6

7



Ø4*50mm

2pcs



STEP 6:

1. Against the Wall Shelf on the wall, then aimed the hole on the Back Panel F and the Anchor #8 in the wall.
2. Tighten the screw #7 into the Anchor #8, and pass through the hole on the Back Panel F. In this way, the Wall Shelf shall be fixed on the wall.

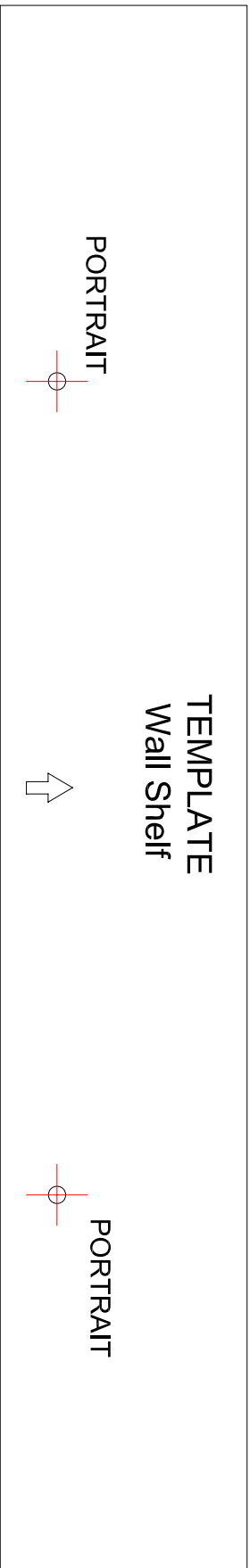
California Proposition 65 Warning

WARNING: This product may contain chemicals known to the state of California to cause cancer, and birth defects or other reproductive harm.

ADVERTENCIA: Este producto puede contener sustancias químicas conocidas en el estado de California como causantes de cáncer, defectos de nacimiento u otros daños reproductivos.

For more information:

<https://oehha.ca.gov/proposition-65>



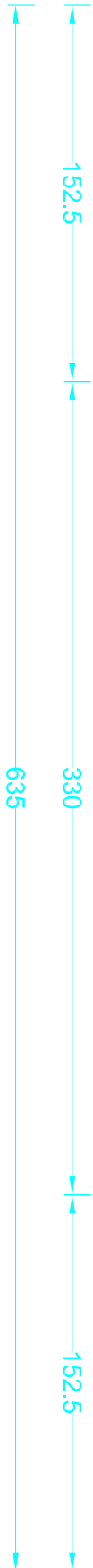
TEMPLATE
Wall Shelf

PORTRAIT

PORTRAIT



77
100



152.5

330

152.5

635