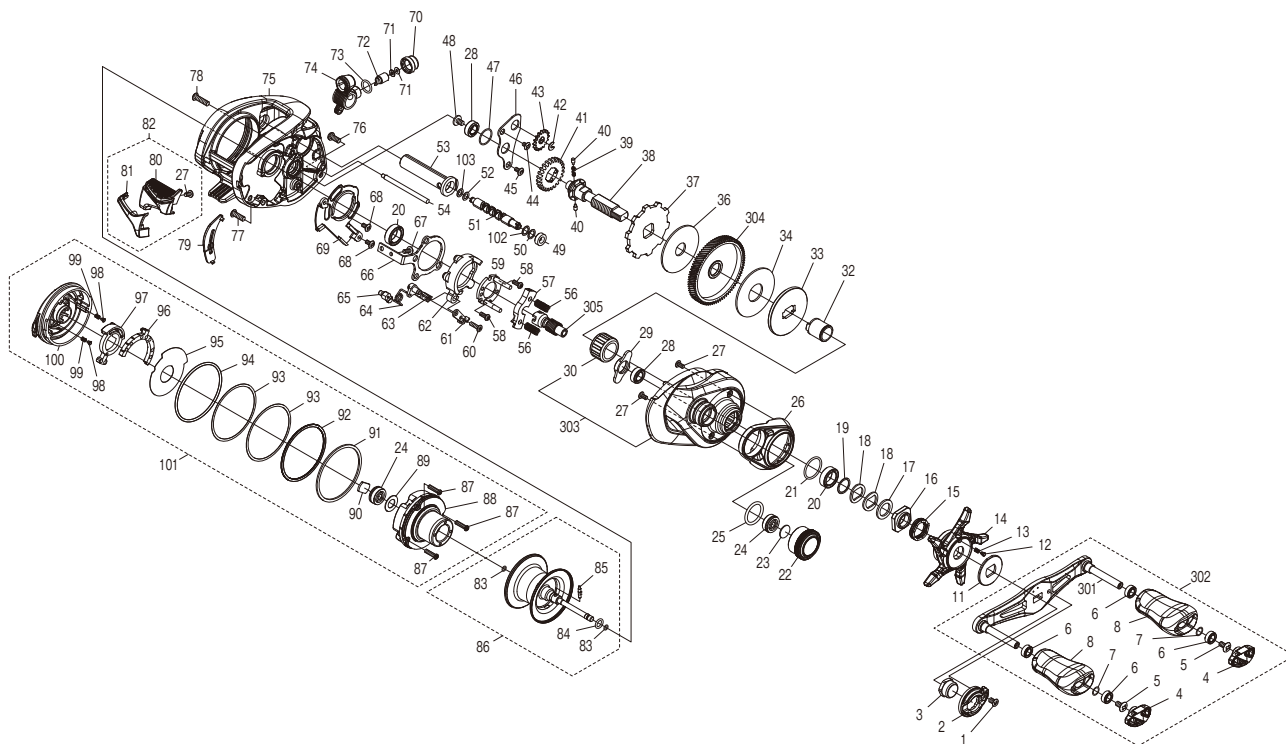


SHIMANO

Metanium DC

METDC70XGA



(51RL695A40X)

#	Part No.	Description	#	Part No.	Description	#	Part No.	Description
1	10DN7	Screw	40	10HJF	Idle Gear Pin	76	10LZD	Screw
2	1017T	Handle Nut Plate	41	10057	Idle Gear A	77	101GQ	Screw
3	10SSU	Handle Nut	42	105NC	E Lock	78	103LN	Screw
4	10RLX	Handle Knob Seal	43	10FNX	Idle Gear C	79	1000Z	Clutch Bar Guide
5	10DQN	Screw	44	10MPF	Screw	80	10RLD	Clutch Button
6	104VX	Ball Bearing	45	10MT2	Screw	81	10RNZ	Clutch Button Cover
7	104FH	Washer	46	1005S	Drive Shaft Retainer	82	100J3	Clutch Button Assembly
8	10RMU	Handle Knob	47	10SZ4	O Ring	83	10E7H	O Ring
11	101JC	Star Drag Click Plate	48	10PVT	Screw	84	10TNF	O Ring
12	10B27	Click Pin	49	10PXY	Bushing	85	10MD0	Spool Clutch Pin
13	10988	Click Spring	50	10GFG	Washer	86	1469P	Spool Assembly
14	144P8	Star Drag	51	10EET	Worm Shaft	87	141R6	Screw
15	10A78	Star Drag Spring	52	100T8	Washer	88	144NU	Digital Control Assembly
16	10A0B	Star Drag Nut	53	1005Z	Level Wind Guard	89	10B94	Bearing Seal
17	10J1N	Star Drag Spacer	54	1006J	Level Wind Guide	90	144NQ	Spacer B
18	10D60	Drag Spring Washer	56	144NZ	Yoke Spring	91	144NM	Washer
19	105PW	Bearing Washer	57	13T1S	Yoke	92	144NN	Washer
20	10EX8	Ball Bearing	58	10LVH	Screw	93	1024A	Washer
21	1027V	O Ring	59	144P7	Clutch Cam Retainer	94	144NL	O Ring
22	144P5	Cast Control Cap	60	10559	Screw	95	144NR	B Side Id Sticker
23	1057Q	Spacer B	61	10RWM	Clutch Pawl B	96	1469Q	BR Dial Assembly
24	10S37	Ball Bearing	62	10SX6	Clutch Cam	97	1469R	DC Dial Assembly
25	10LA9	O Ring	63	10RV5	Clutch Pawl A	98	144NT	Click Pin
26	13YYW	Clutch Button Attachment	64	10N1Z	Clutch Pawl Spring	99	10T6Z	Click Spring
27	1055J	Screw	65	10RW8	Clutch Spring Holder	100	13YYT	B Side Plate
28	105BP	Ball Bearing	66	10RW8	Clutch Plate	101	1469S	B Side Plate Assembly
29	144NV	Retainer	67	103C0	Screw	102	10R3Z	Washer
30	1005E	Roller Clutch Bearing	68	100BD	Screw	103	10GFJ	Washer
32	10BN3	Roller Clutch Inner Tube	69	10RW7	Clutch Guard	301	1469U	Handle Shank Assembly
33	10RW3	Pressure Plate	70	10FJB	Pawl Cap	302	1469V	Handle Assembly
34	10RWJ	Drag Washer	71	10CFW	Washer	303	1469W	A Side Plate Assembly
36	10CJ1	Drag Washer	72	100BT	Line Guide Pawl	304	13UYG	Drive Gear
37	1021K	Anti-Reverse Ratchet	73	108WQ	O Ring	305	1006S	Pinion Gear
38	10RW0	Drive Shaft	74	1469M	Line Guide Pawl Holder Assembly			
39	10JDX	Idle Gear Spring	75	1469N	Frame Assembly			

Please note that the number of adjusting washers may not be the same as shown in the exploded views.
(Adjustment will vary with each individual product.)

(240227)_002