

A

B

C

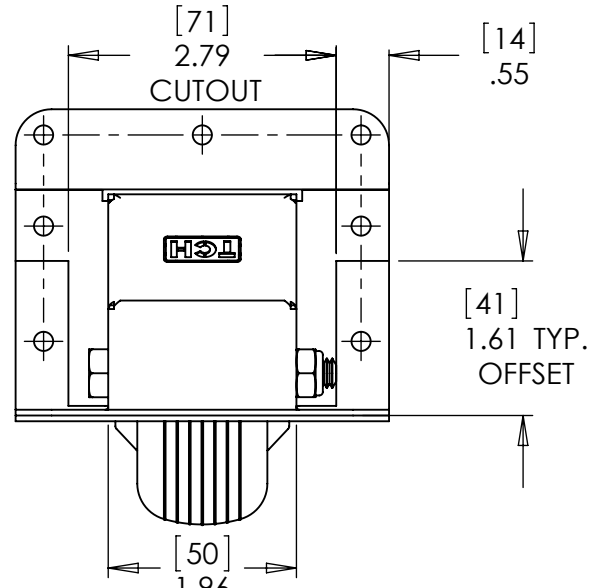
D

E

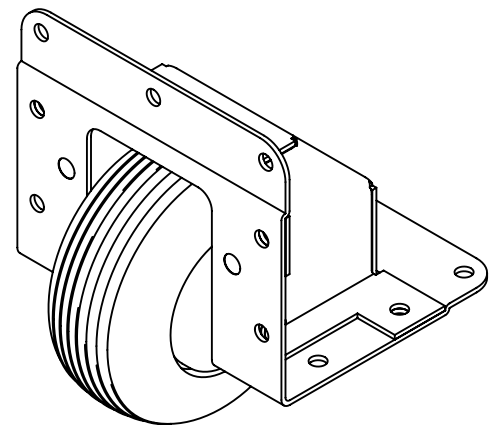
F

REVISIONS			
REV.	DESCRIPTION	DATE	APPROVED
A	INITIAL RELEASE	06/03/2008	
B	WHEEL SPACER ADDED	10/04/2011	
C	DIMENSIONS ADDED	08/14/2012	
D	CUTOUT DIMENSION ADDED	2/3/2014	

1

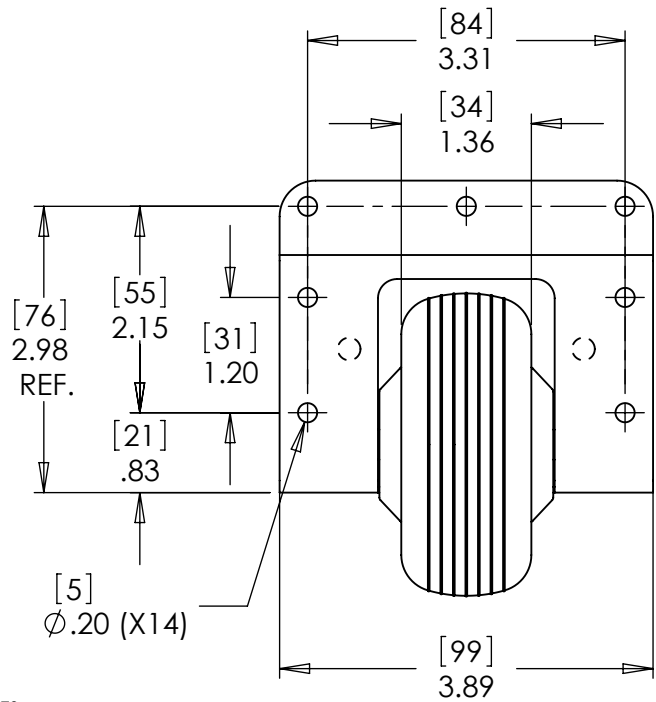


2



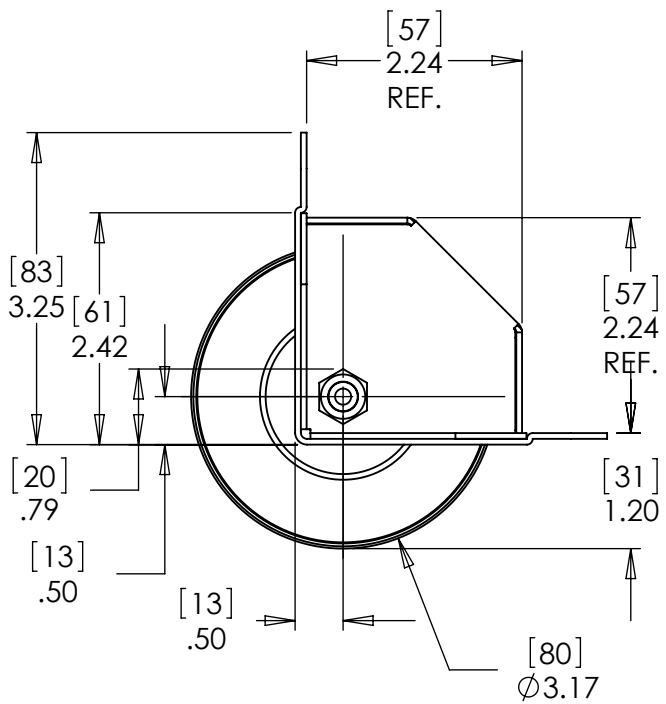
1

3



2


3



4

- NOTES:
- ALL DIMENSIONS ARE IN INCHES [MILLIMETERS]
 - MATERIAL:
 - FINISH:

THE INFORMATION CONTAINED IN THIS DRAWING IS THE SOLE PROPERTY OF TRANS CONTINENTAL HARDWARE. ANY REPRODUCTION IN PART OR AS A WHOLE WITHOUT THE WRITTEN PERMISSION OF TRANS CONTINENTAL HARDWARE IS PROHIBITED.



TRANS CONTINENTAL HARDWARE
TCHWEB.COM
1-800-465-6281

PART NAME		REVISION NO.	
HEAVY DUTY RECESSED CASTER		D	
DRAWING NO.		REVISION NO.	
511-2289800-CUST			
DATE	SCALE	THIRD ANGLE PROJECTION DRAWING	
3/13/2009	1:2		
ALL DIMENSIONS WITHOUT TOLERANCES ARE REFERENCE			
SPECIFICATION SUBJECT TO CHANGE WITHOUT NOTICE			

A

B

C

D

E

F