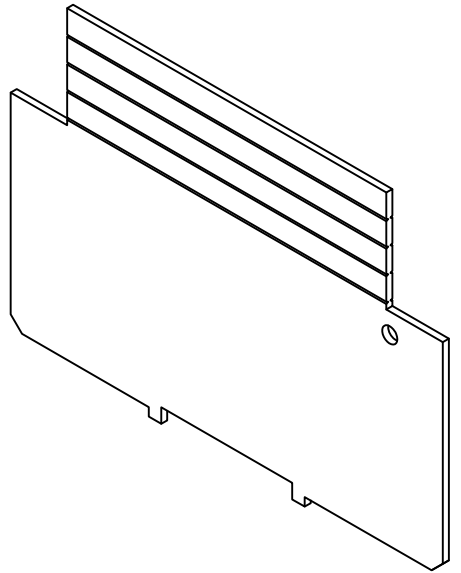
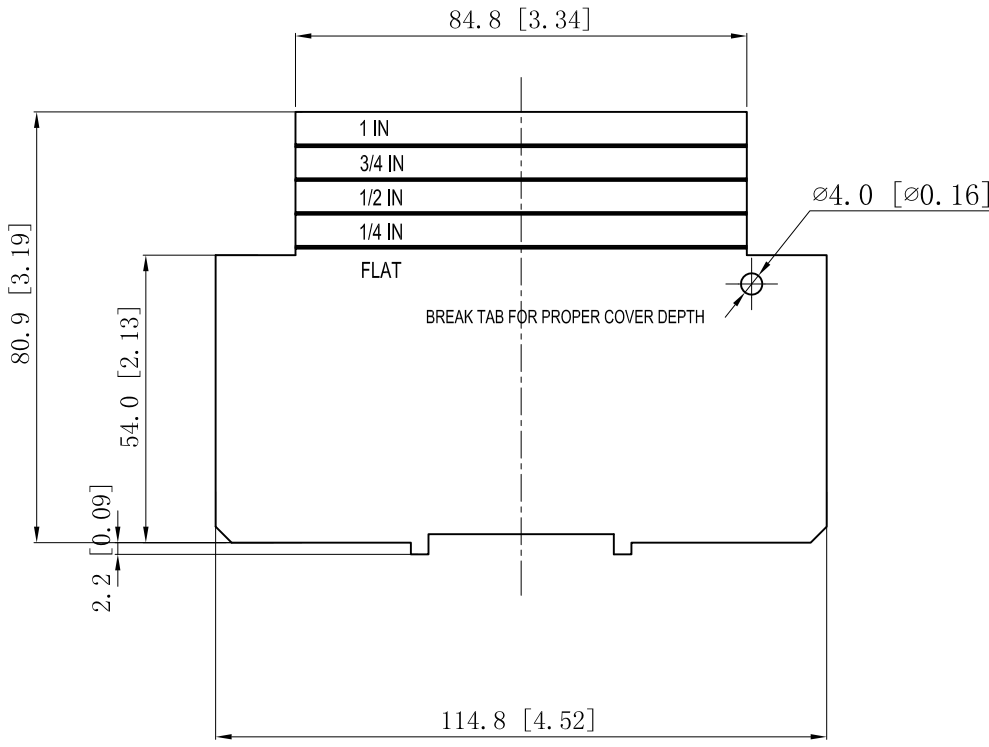
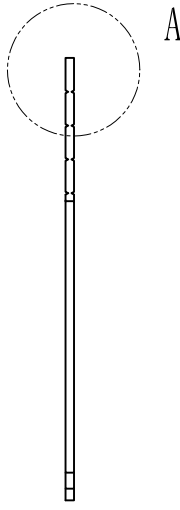
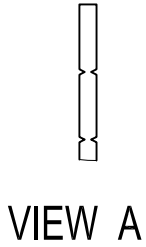


SIDES	BOTTOM
Material: Steel-0.0625"-G60 Galvanized	



This data sheet is for reference only .GARVIN INDUSTRIES reserves the right to make changes to the design without prior notice.

DESCRIPTION
TRADE REFERENCE TERMS

STANDARD PACKING
50 PCS

<b>GARVIN INDUSTRIES</b>		
TITLE 11B LV Bx Part, 2-1/8"D, 1/2"-1		
SIZE A4	DWG NO. LVP51	REV
DATA SHEET		
www.garvinindustries.com		