



XOGRIDDLE30

PRO-GRADE 30" BUILT-IN GRIDDLE

PUT SOME AWESOME IN YOUR BACKYARD



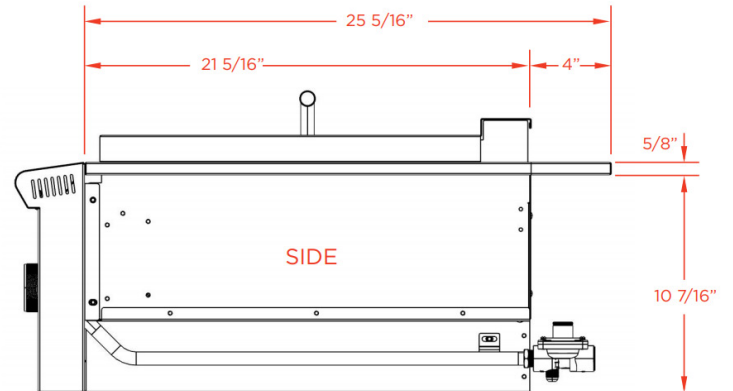
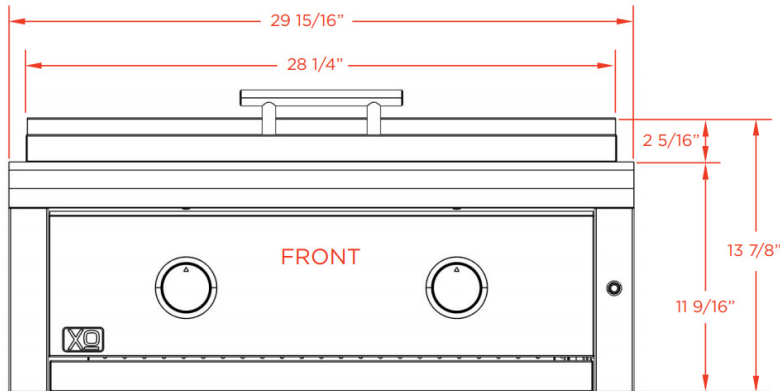
XOGRIDDLE30

Widen your horizons in outdoor cooking with the brand new, XO Pro-Grade built-in gas griddle. The versatility of the XO griddle allows you to cook anything - sizzling fajitas, fried rice, caramelized onions, smashed burgers and veggies for the whole family.

XO PRO GRADE LUXURY BUILT-IN GRIDDLE

- 36,000 BTUS of Awesome Power
 - (2) U shaped stainless steel burners each delivering 18,000 BTUs for a total of 36,000 BTUs of power
- Reliable Flame Thrower Ignition (ignites without electricity)
- Blue LEDs illuminate the controls and dramatically accent your entertaining
- 495 Sq. In. Main Grilling Area
- Heavy duty, 304 stainless steel cooking surface
- A whopping 22 burger count
- Stainless Steel Cover for when not in use
- (2) Independent cooking zones
- Built-in grease trough
- Unaffected by windy conditions

WORLD CLASS SERVICE | COMPREHENSIVE WARRANTIES
OUR LASTING COMMITMENT TO YOU



FEATURES

FINISH

Stainless Steel

FEATURES

- 36,000 BTUs of Awesome Power
- (2) Stainless steel U-shaped burners provide even heat across the griddle surface
- Flame-thrower ignition delivers a reliable start
- Stainless steel lid protects when not in use
- Heavy-duty 304 stainless steel construction for durability and longevity
- LED control knob illumination exclusive to XO Pro-Grade Luxury grills
- 495 sq. inch stainless steel cooking surface
- Built-in grease trough
- Unaffected by windy conditions
- ETL certified

SPECIFICATIONS

SIZE 30"

DIMENSIONS 30"W x 25 5/16" D x 11 9/16"H

INSTALLATION TYPE Built-in / Freestanding

FUEL

Specify Propane or Natural Gas. For NG, XO recommends using 3/4" gas lines.

BURNERS

Awesome Power - Two (2) Stainless Steel U shaped burners each delivering 18,000 BTUs for a total **36,000 BTUs of power!**

MAIN GRILLING AREA 495 Sq. Inches

BURGER COUNT 22

CUTOUT DIMENSIONS

28 1/8" W - 24 3/8" D - 12" H

OPTIONS

Pro-Grade Griddle Cart **XOGRIDDLECART**