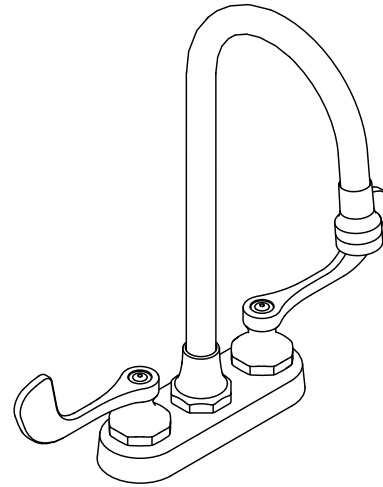


### Features

- Quarter-turn washerless ceramic disc valves
- 5-3/16" (132 mm) spout reach
- Vandal-resistant aerated flow
- Wristblade lever handle
- Less drain
- 1.0 gal/min (3.8 l/m) maximum flow rate at 60 psi (4.14 bar).

### Material

- Brass
- Brass valve bodies



**ADA** **CSA B651** **OBC**

### Codes/Standards

ASME A112.18.1/CSA B125.1  
NSF/ANSI/CAN 61  
NSF/ANSI/CAN 372  
DOE - Energy Policy Act 1992  
EPA WaterSense®  
ADA  
ICC/ANSI A117.1  
CSA B651  
OBC

### KOHLER® One-Year Limited Warranty

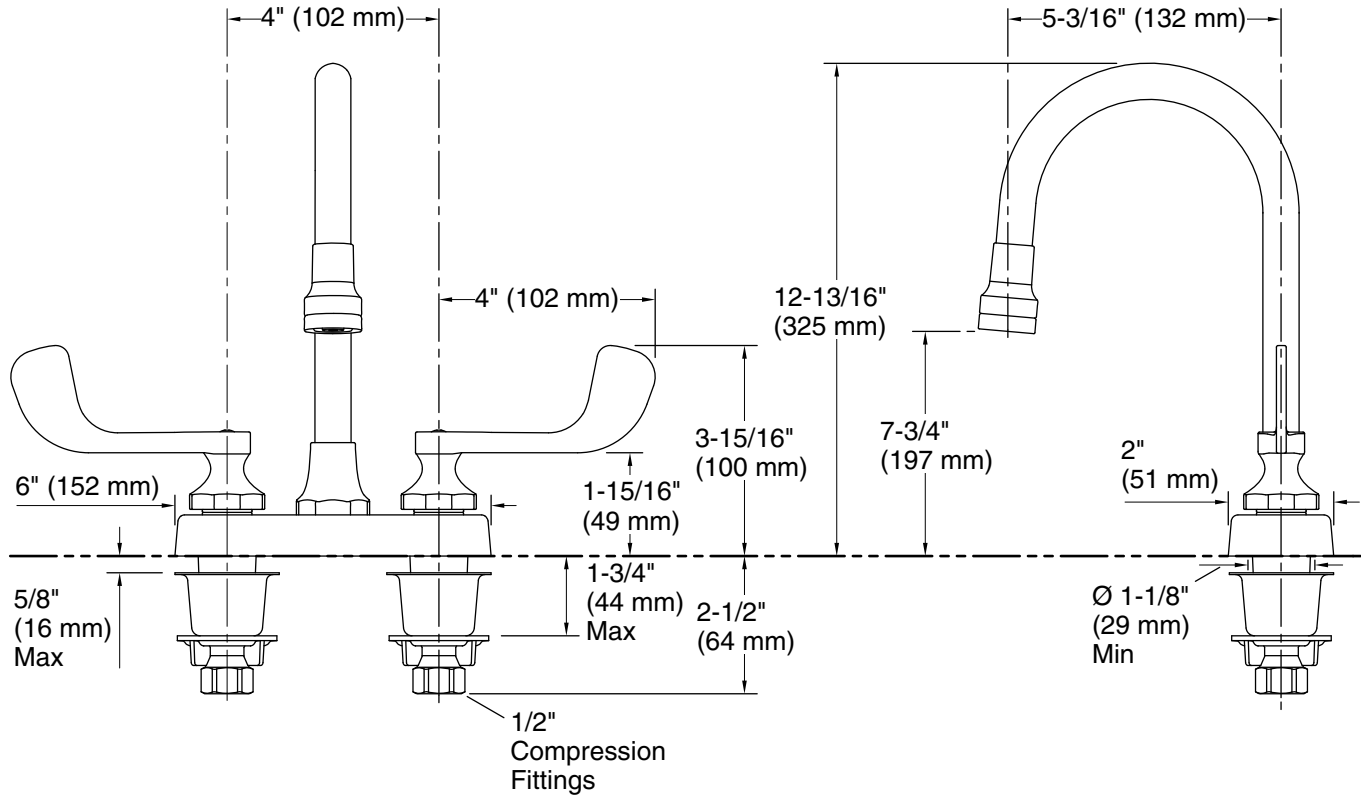
See website for detailed warranty information.

### Available Colors/Finishes

*Color tiles intended for reference only.*

#### Color Code Description

 CP Polished Chrome



**Technical Information**

All product dimensions are nominal.

Faucet flow rate: 1 gal/min (3.8 l/min)

**Spout:**

Spout reach: 5-3/16" (132 mm)

**Notes**

Install this product according to the installation guide.

ADA compliant for handles only.

ADA, OBC, CSA B651 compliant when installed to the specific requirements of these regulations.