

ADD PACKING BETWEEN POLYSKIRTS TO HOLD IN PLACE DURING SHIPPING.

- NOTES:
1. FINISH PER DRAWING QC-448
 3. BREAK ALL SHARP CORNERS
 4. CRITICAL TO QUALITY SYMBOL

CTQ

CTQ

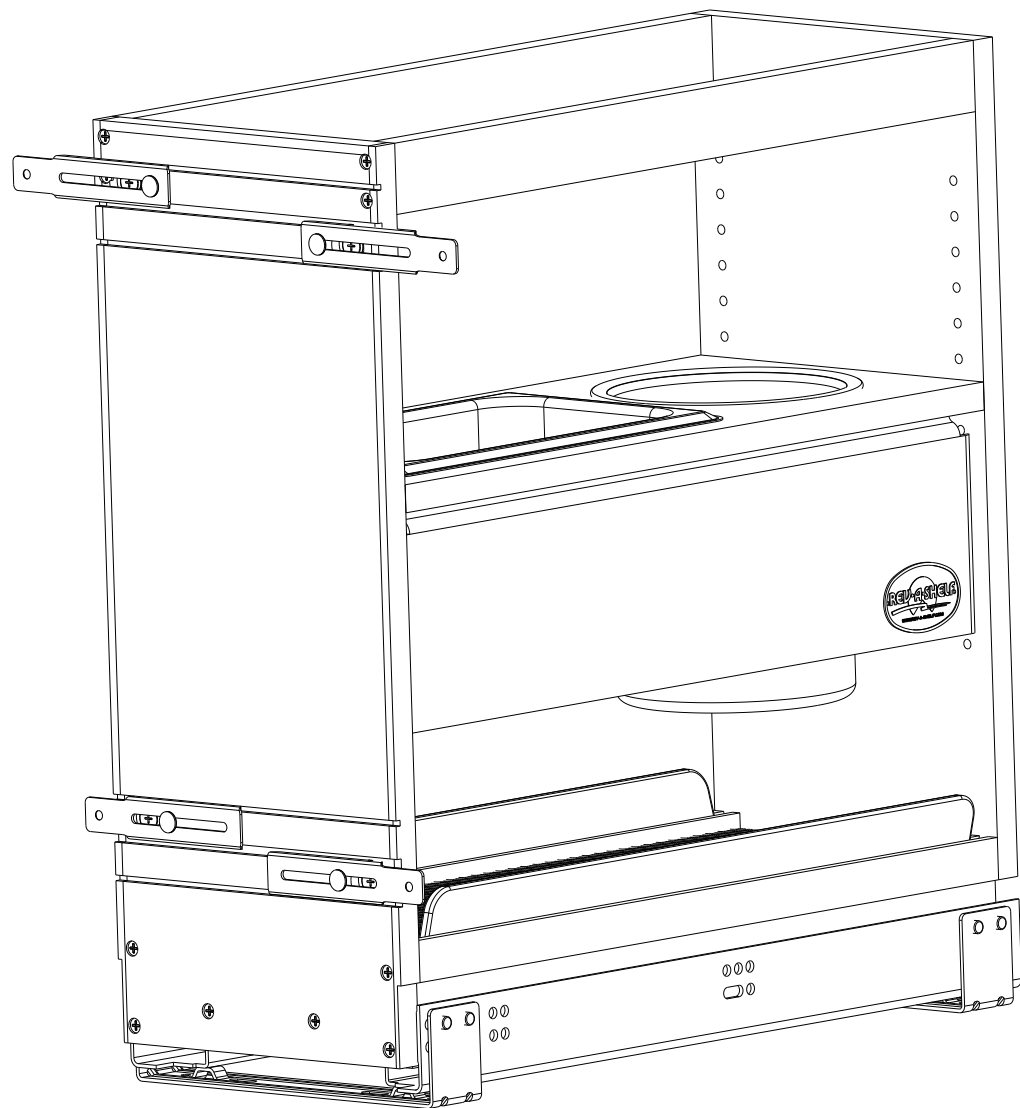
This drawing is the property of Rev-A-Shelf (RAS) and is disclosed in confidence to the extent its subject matter is original to RAS. Any vendor receiving this drawing from RAS shall hold and use this drawing for the sole benefit of RAS and shall not disclose it to, or use or reproduce it for any third party, or perform any act adverse to the interest of RAS with respect to this drawing without the express written permission of RAS. Vendors shall not revise any physical, dimensional or performance characteristic unless authorized by Rev-A-Shelf Engineering.

REV.	DATE	BY	DESCRIPTION OF CHANGE
D	6/29/19	BKT	ECN19-041
C	10-15-14	KRR	ECN14-080
B	10-6-14	KRR	ECN14-078
A	10-2-14	KRR	ECN14-076

INCH [MM]	AMERICAN PROJECTION 	DRAWN	BY	DATE	REV-A-SHELF, INC. 445 SC 8" VANITY	
			KRR	8-7-14		
		MATERIAL		DRAWING NO.		SCALE
		FINISH		PART NO.		SHEET OF
				445VCG20SC-8-CUST		0.250
				445VCG20SC-8-CUST		1 2

TOLERANCES
 MAT. DEC.
 (WOOD) .XX ±.03 [.8mm]
 (OTHER) .XX ±.02 [.5mm]
 (ALL) .XXX ±.005 [.13 mm]
 FRACTIONS ±1/32 [.8 mm]

ANGLES
 ±1/2°




PART DIMENSIONS		
	MIN	MAX
WIDTH	8.39	
DEPTH	19.00	
HEIGHT	20.30	
WEIGHT		
DIAMETER		
RADIUS		
CONTAINER CAPACITY		
CONTAINER UOM		

MIN CABINET OPENING	
WIDTH	8.50
DEPTH	19.25
HEIGHT	20.50

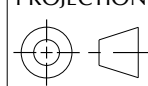
PRODUCT MAX WEIGHT RATING

SLIDE SPECIFICATIONS				
SLIDE TYPE	BLUM TANDEM	SLIDE EXTENSION	FULL	MAX WEIGHT RATING
SLIDE CLOSING	SELF/SOFT	SLIDE LENGTH	18" [457]	
SLIDE MOUNTING	SIDE	SLIDE FINISH	ZINC	135 LB

- NOTES:
1. FINISH PER DRAWING QC-448
 3. BREAK ALL SHARP CORNERS
 4. CRITICAL TO QUALITY SYMBOL 

This drawing is the property of Rev-A-Shelf (RAS) and is disclosed in confidence to the extent its subject matter is original to RAS. Any vendor receiving this drawing from RAS shall hold and use this drawing for the sole benefit of RAS and shall not disclose it to, or use or reproduce it for any third party, or perform any act adverse to the interest of RAS with respect to this drawing without the express written permission of RAS. Vendors shall not revise any physical, dimensional or performance characteristic unless authorized by Rev-A-Shelf Engineering.

REV.	DATE	BY	DESCRIPTION OF CHANGE
D	6/29/19	BKT	ECN19-041
C	10-15-14	KRR	ECN14-080
B	10-6-14	KRR	ECN14-078
A	10-2-14	KRR	ECN14-076

INCH [MM]	AMERICAN PROJECTION 	DRAWN	BY	DATE	REV-A-SHELF, INC.	
					SIZE	DRAWING NO.
			KRR	8-7-14	B	445 SC 8" VANITY
TOLERANCES		MATERIAL		DRAWING NO.		SCALE
MAT.	DEC.	FINISH		PART NO.		SHEET OF
(WOOD) .XX ±.03 [8mm]	(OTHER) .XX ±.02 [5mm]			445VCG20SC-8-CUST		0.250
(ALL) .XXX ±.005 [13 mm]	FRACTIONS ±1/32 [8 mm]			445VCG20SC-8-CUST		2 2