

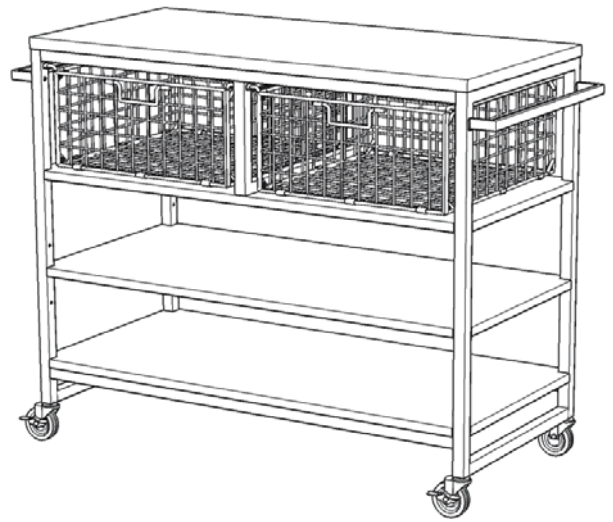
88 5053 95 Kitchen Cart

IMPORTANT NOTE

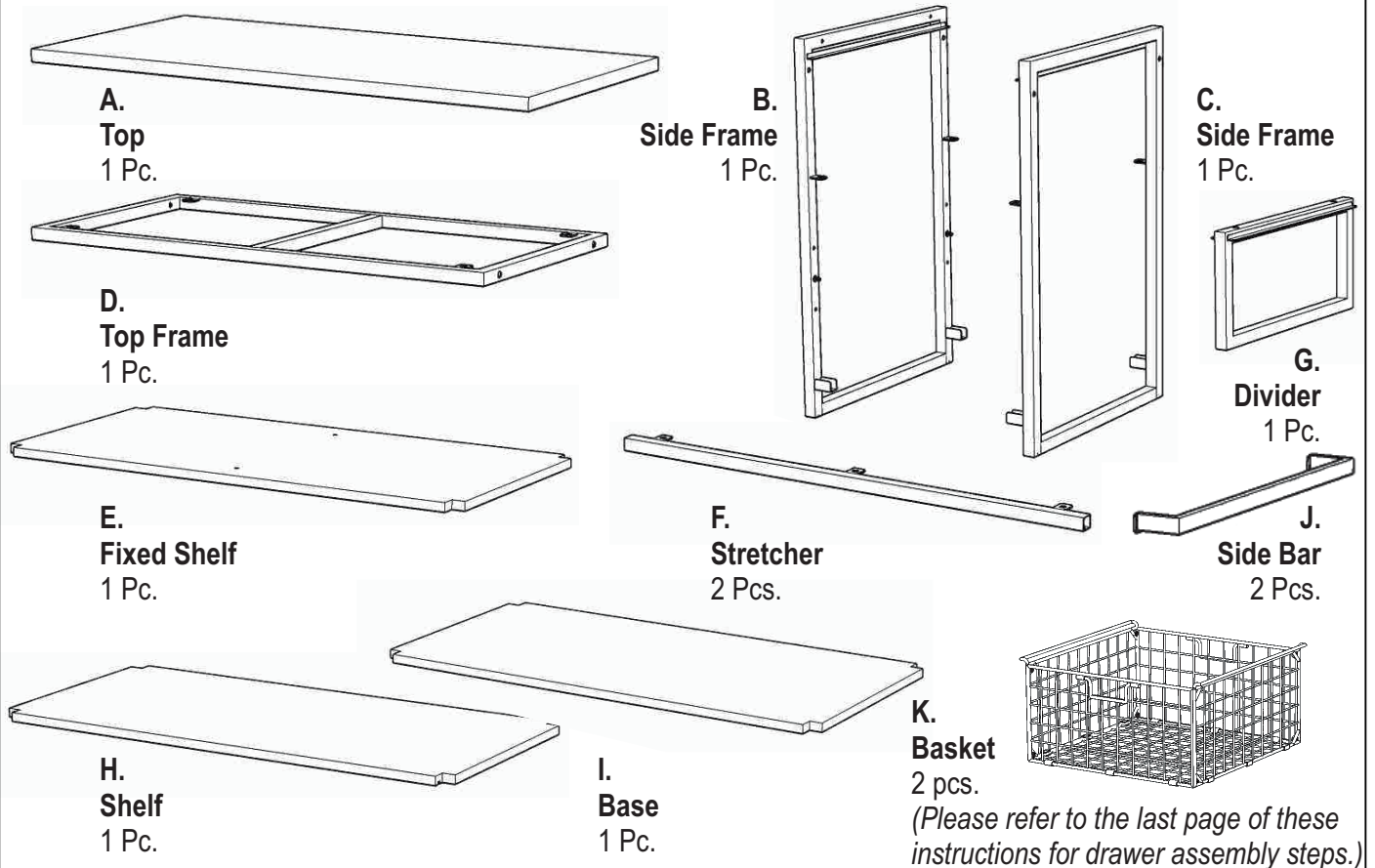
Carefully remove all the parts from the carton and put them individually on a soft cloth to prevent scratches or other damage occurring to the parts.

We have taken great care in the design of this product and request that you carefully and strictly follow our assembly instructions to ensure a completed product as it was designed.

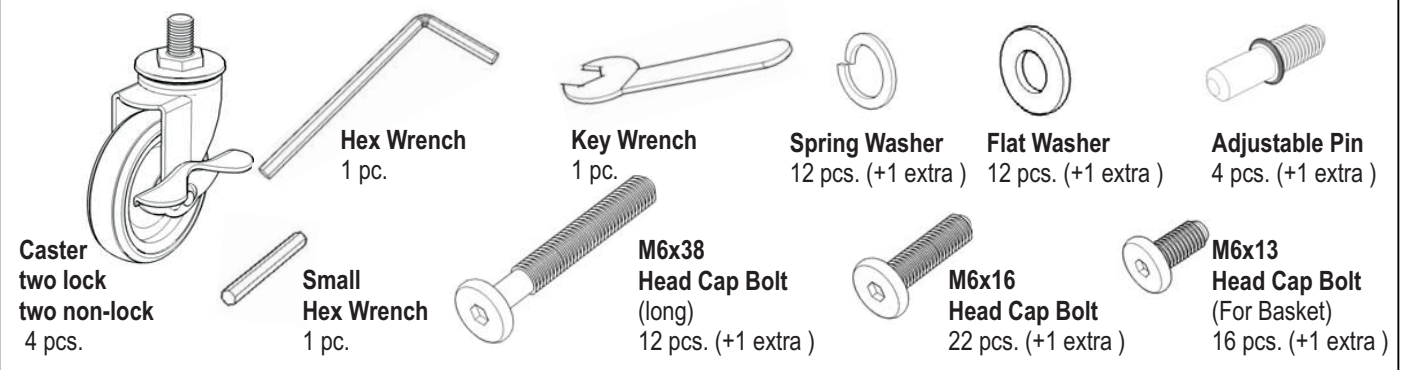
Home
Styles



Part List

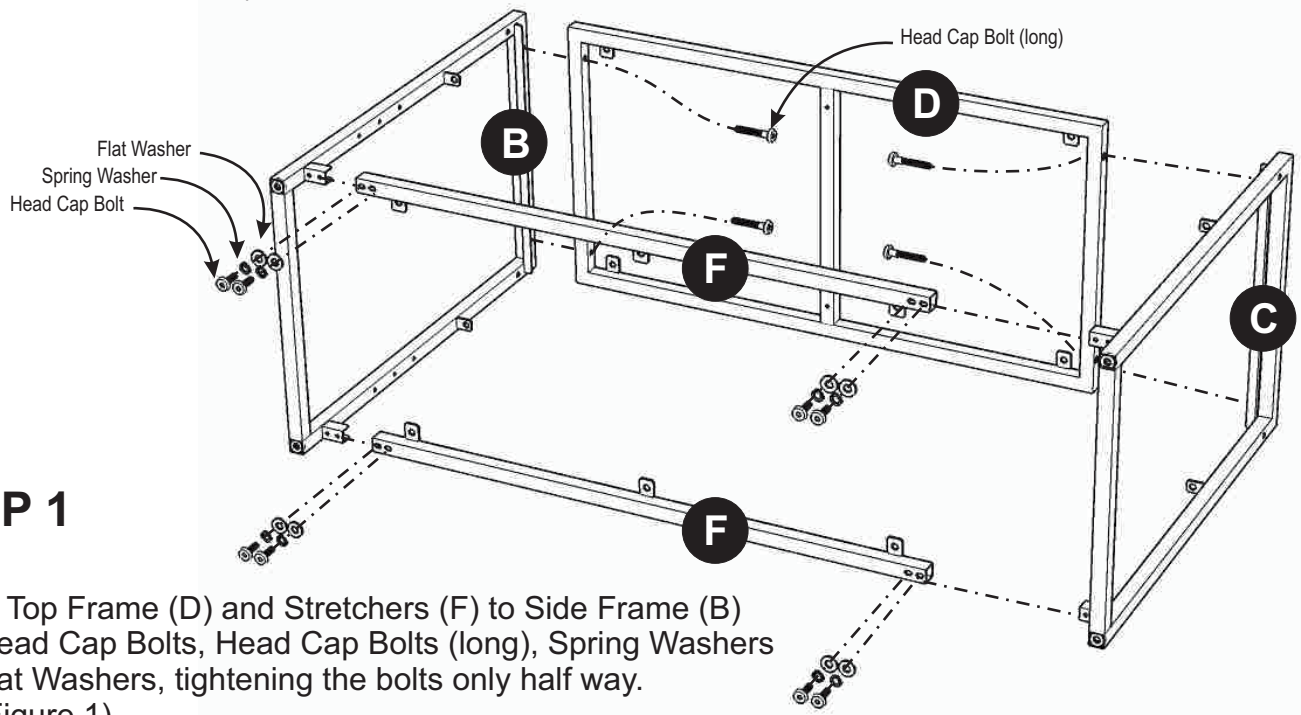


Hardware List



IMPORTANT

- * Please keep Hex Wrench in a safe place as you may need to tighten up the Head Cap Bolts in the future.
- * Do not tighten all the Head Cap Bolts until each part is properly assembled.
- * Use a soft cloth between these parts and the floor.



STEP 1

Attach Top Frame (D) and Stretchers (F) to Side Frame (B) with Head Cap Bolts, Head Cap Bolts (long), Spring Washers and Flat Washers, tightening the bolts only half way. (See Figure 1)

Attach Side Frame (C) to unit with Head Cap Bolts, Head Cap Bolts (long), Spring Washers and Flat Washers, tightening the bolts only half way.

Tighten all Head Cap Bolts.

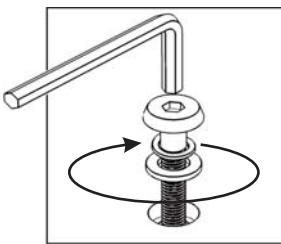
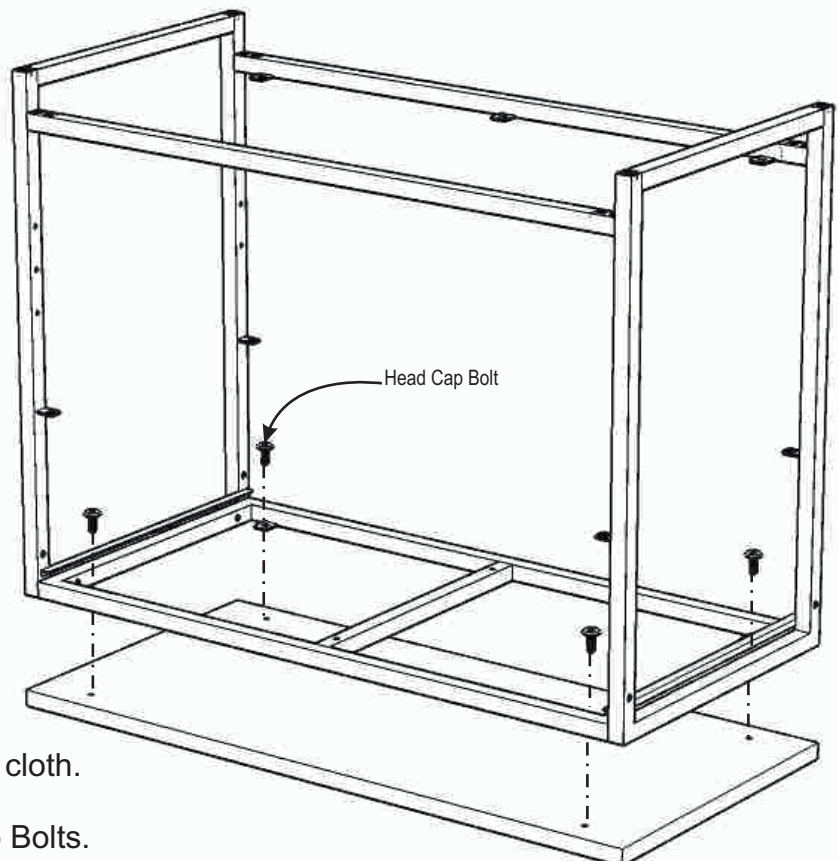


Figure 1



STEP 2

Place Top (A) upside down on a soft cloth.

Attach unit to Top (A) with Head Cap Bolts.

STEP 3

Attach Fixed Shelf (E) to unit with Head Cap Bolts.

Slide Divider (G) into position and attach to unit with Head Cap Bolt (long).

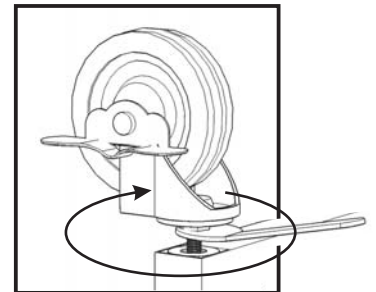
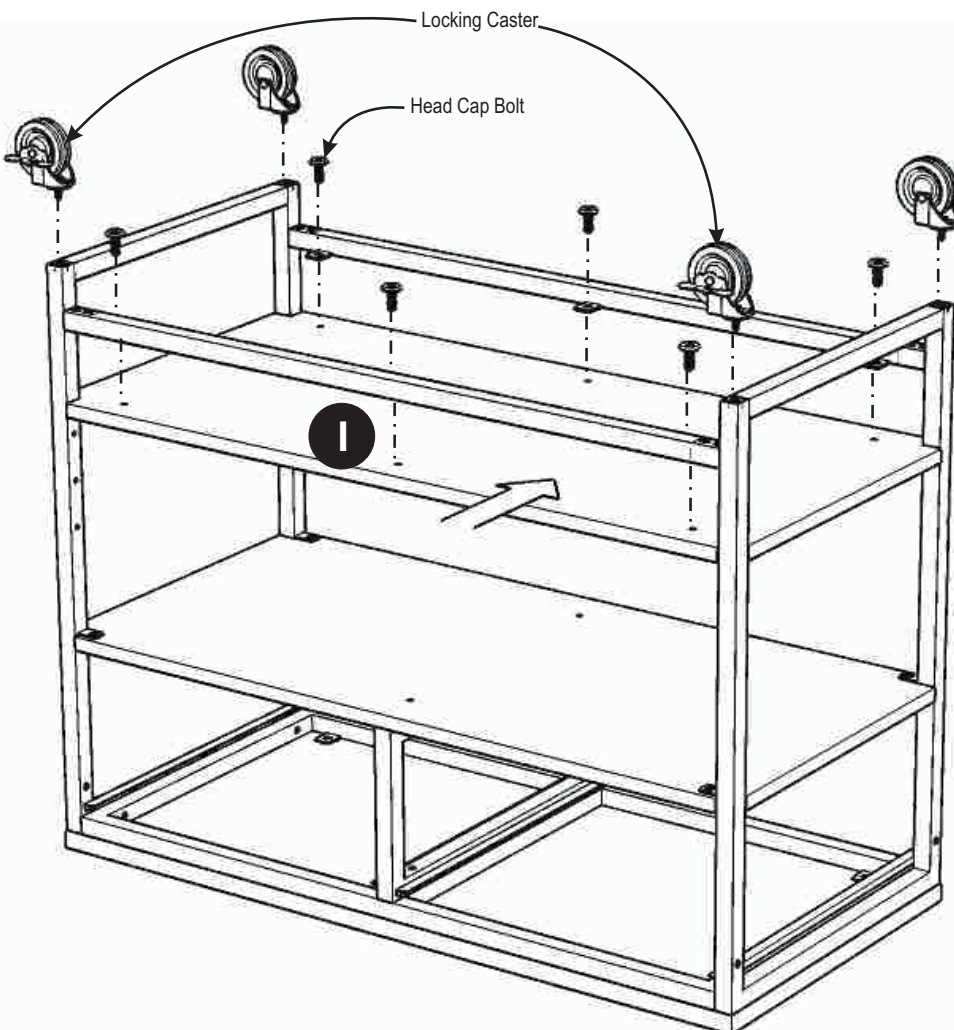
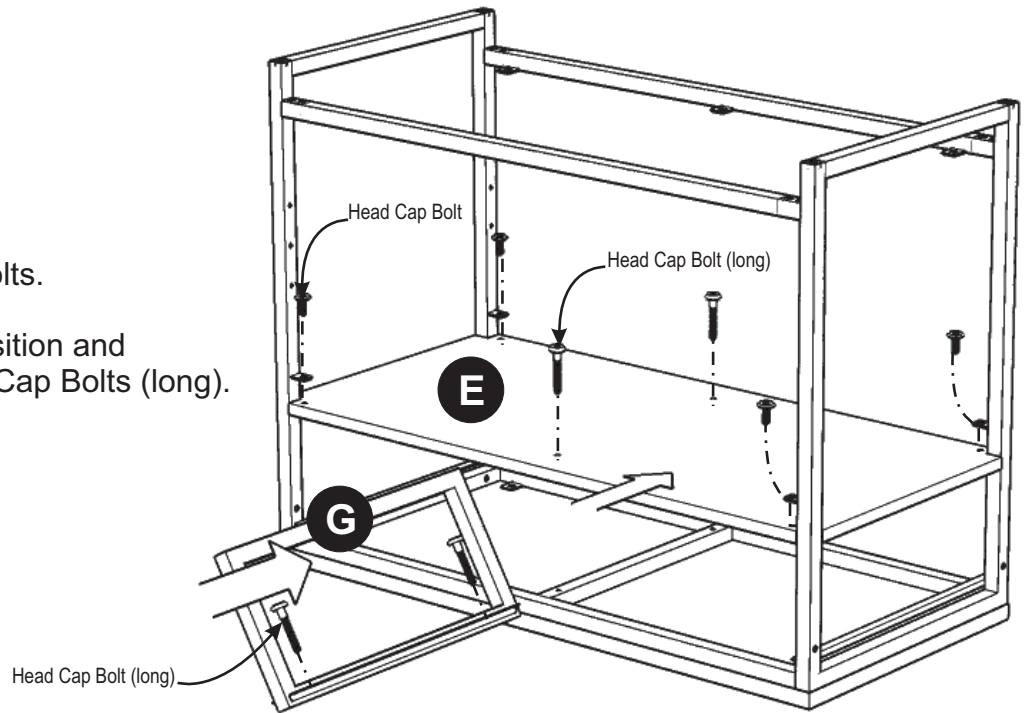


Figure 2

STEP 4

Attach Base (I) to unit with Head Cap Bolts.

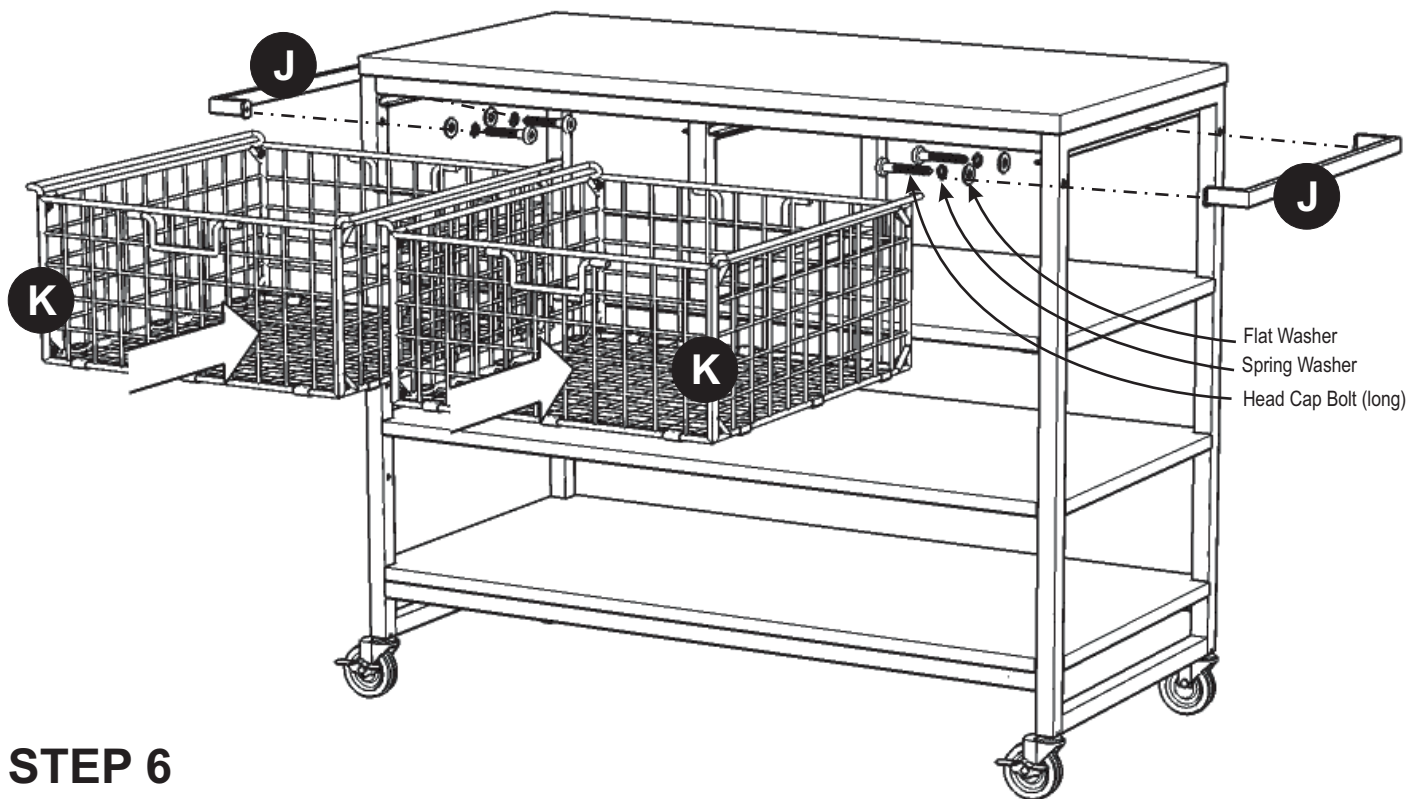
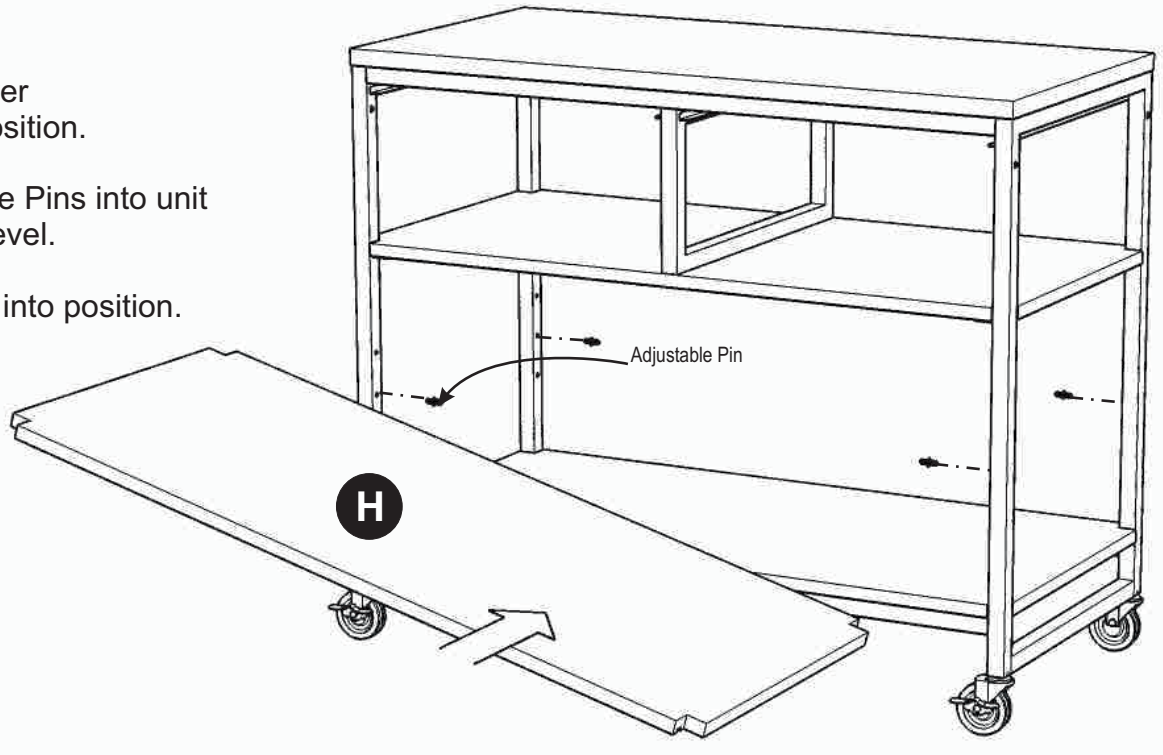
Insert Casters into the pre-drilled holes of unit with Key Wrench. (See Figure 2)

STEP 5

Turn the unit over to its' upright position.

Insert Adjustable Pins into unit at the desired level.

Place Shelf (H) into position.

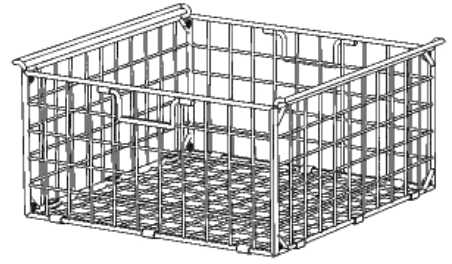


STEP 6

Attach Side Bars (J) to unit with Head Cap Bolts (long), Spring Washers and Flat Washers.

Slide Baskets (K) into position.

Basket (K)



STEP 1

Attach Basket Fronts (K3) to Basket Bottom (K1) with clips. (See Figure 1)

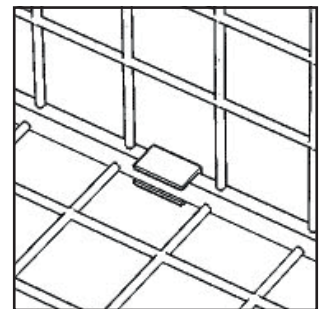
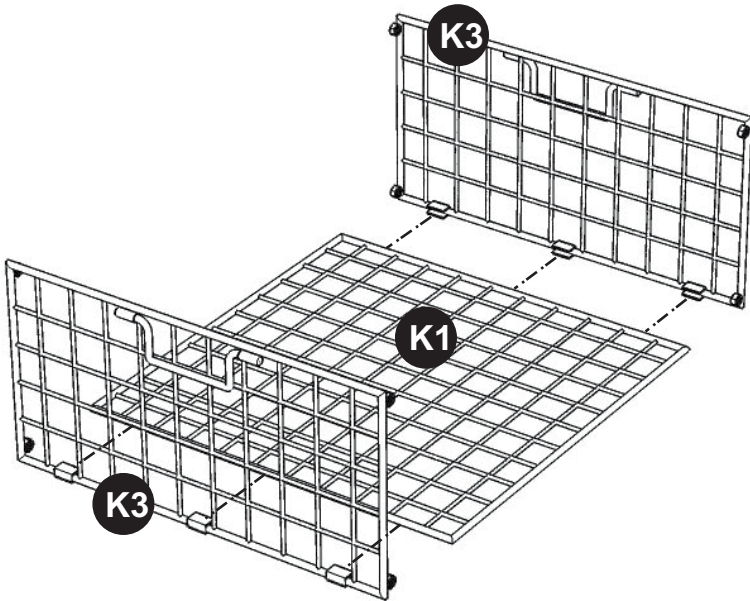


Figure 1

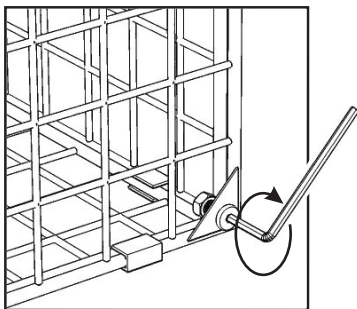
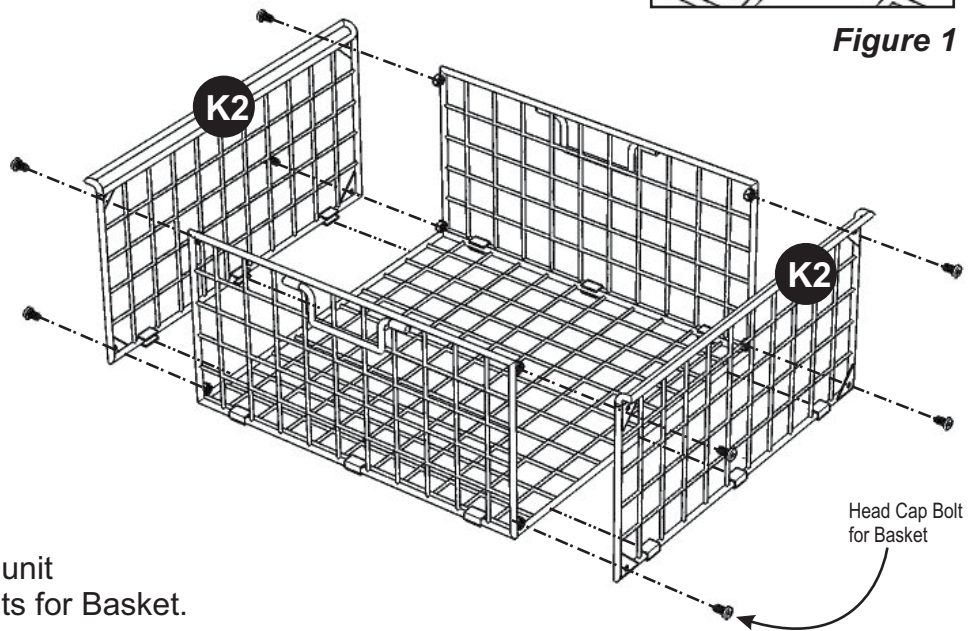


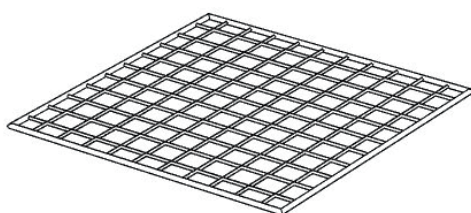
Figure 2



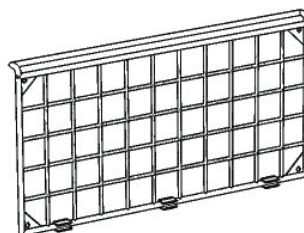
STEP 2

Attach Basket Sides (K2) to unit with clips and Head Cap Bolts for Basket. (See Figure 2)

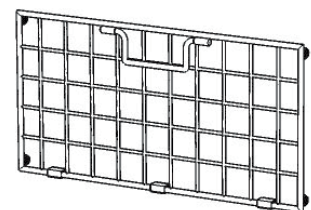
Part List



K1.
Basket Bottom
2 pcs.



K2.
Basket Side
4 pcs.



K3.
Basket Front
4 pcs.