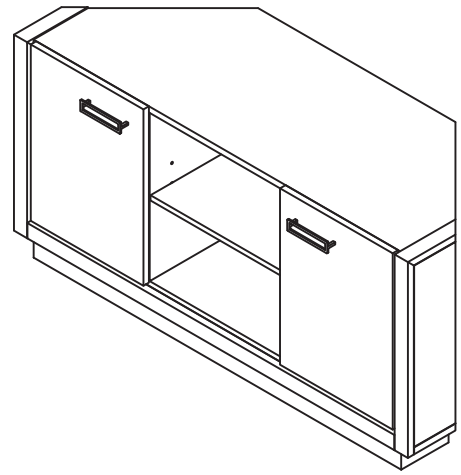


Corner Entertainment



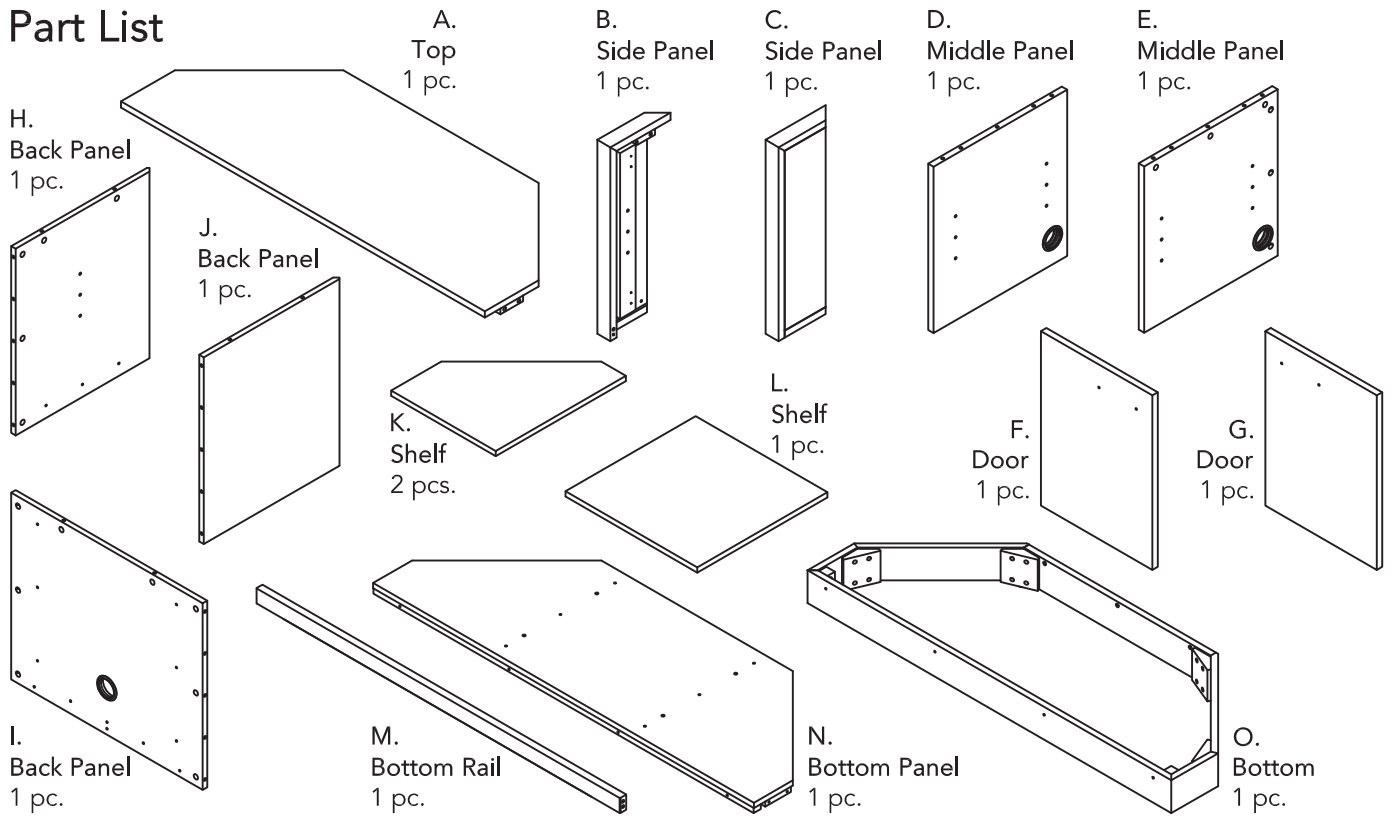
IMPORTANT

Carefully remove all the parts from the carton and place them individually on a soft cloth to prevent scratches or other damage.

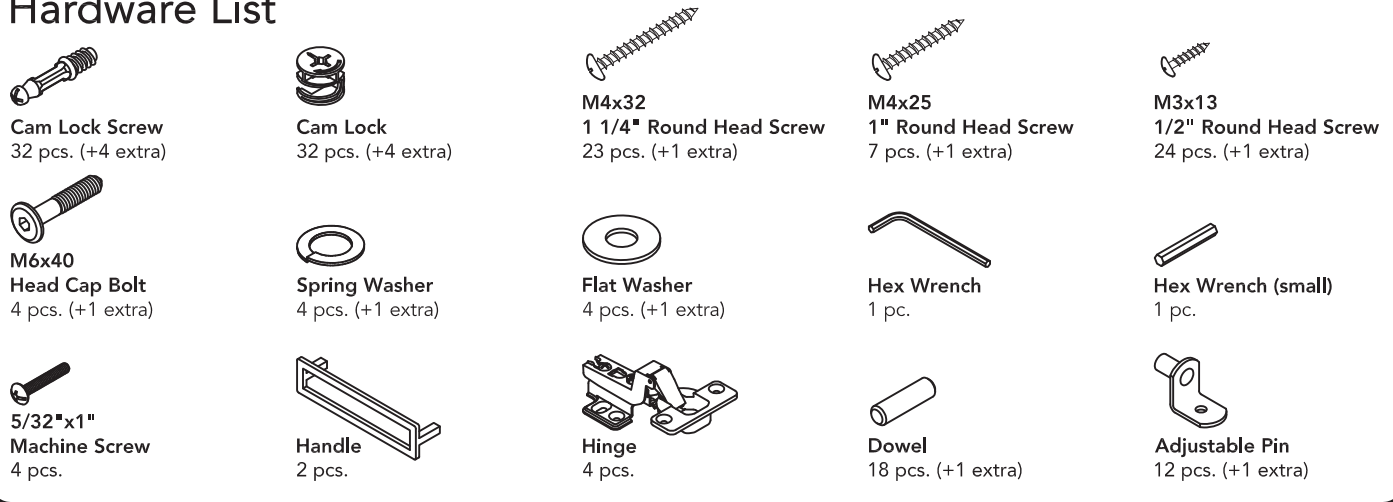
Carefully and strictly follow these assembly instructions to ensure a completed product as designed.

Do not use power tools above 8 volts to assemble.

Part List



Hardware List



Tool(s) required for assembly: Phillips screwdriver, Level, Drill (8 volts or less), 3/8" Drill Bit

Home Styles Customer Service: www.homestyles-furniture.com,
servicedesk@homestyles-furniture.com, 888-680-7460, 877-831-0319

Assembly Instructions 2/8

IMPORTANT

- Use a soft cloth between these parts and the floor.
- Do not use power tools above 8 volts to assemble.
- Do not tighten all the screws until each part is properly assembled.
- The unit must be level to work properly. Use the included adjustable levelers to level.
- Keep Hex Wrench as the bolts may need to be tightened in the future.

STEP 1

Insert Cam Lock Screws into pre-drilled holes in Top (A), Side Panels (B), (C) and Back Panels (H), (I), (J), then tighten.

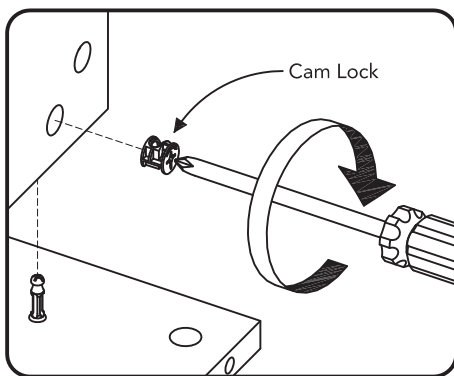
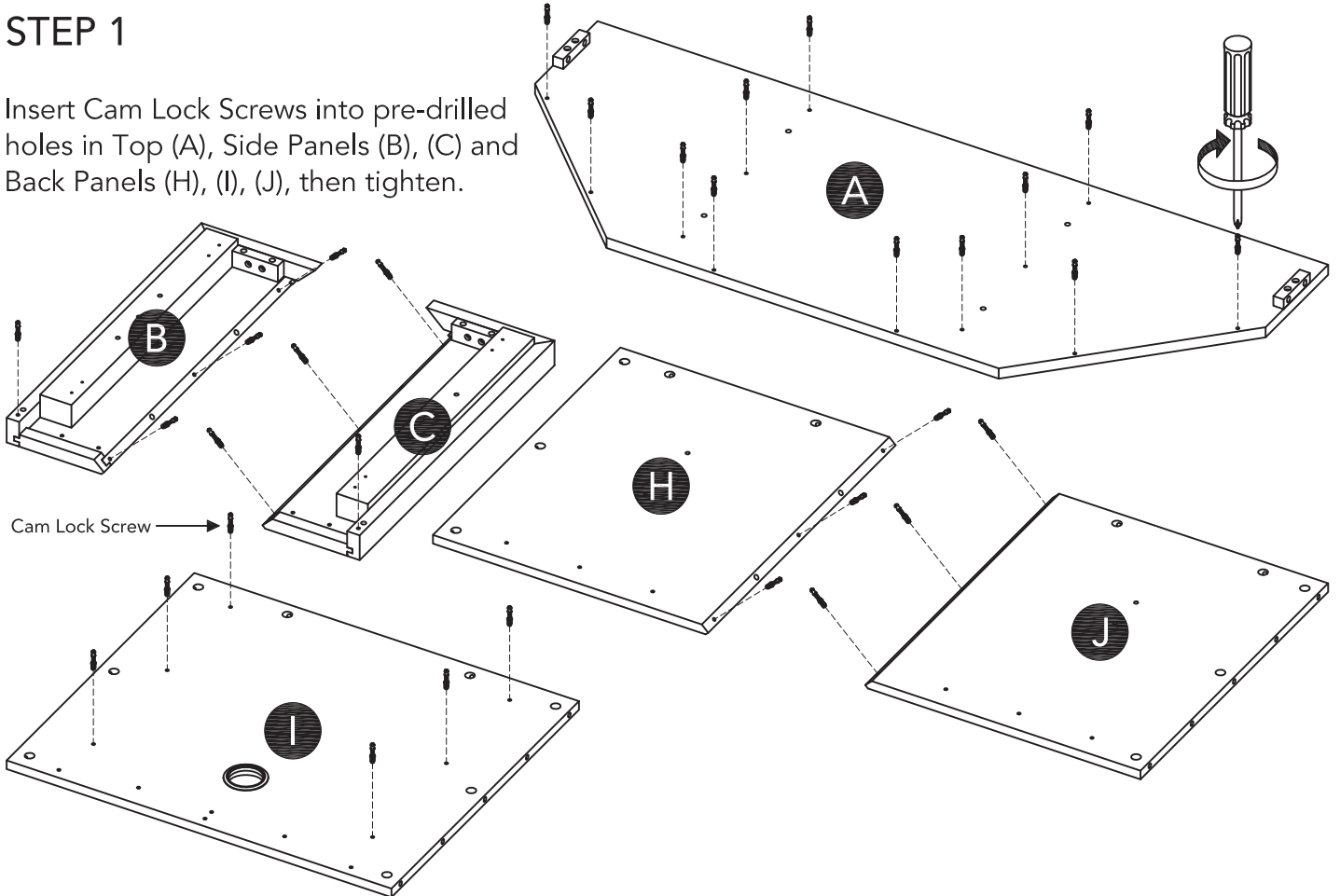
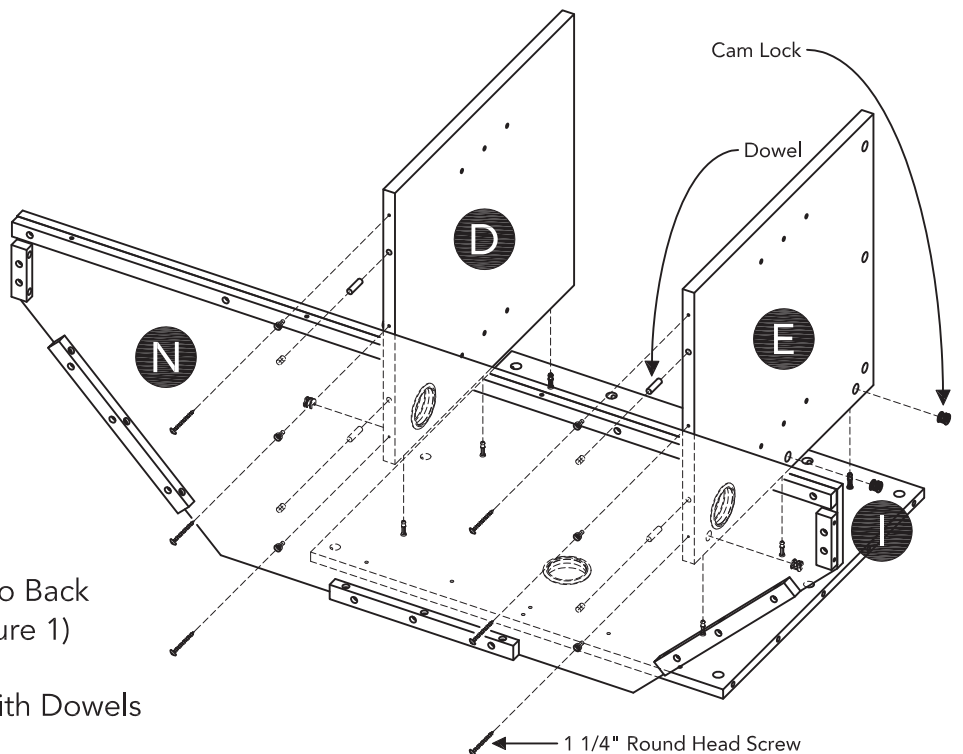


Figure 1

STEP 2

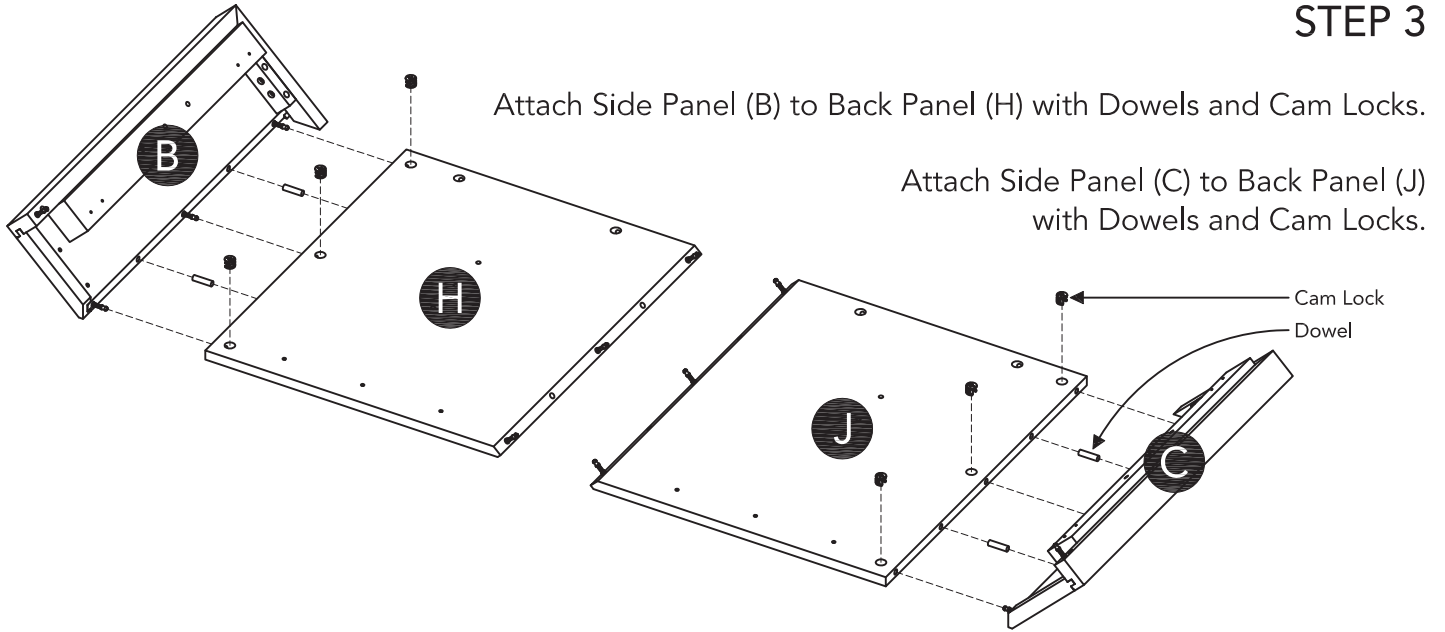
Attach Middle Panels (D) and (E) to Back Panel (I) with Cam Locks. (See Figure 1)

Attach Bottom Panel (N) to unit with Dowels and 1 1/4" Round Head Screws.

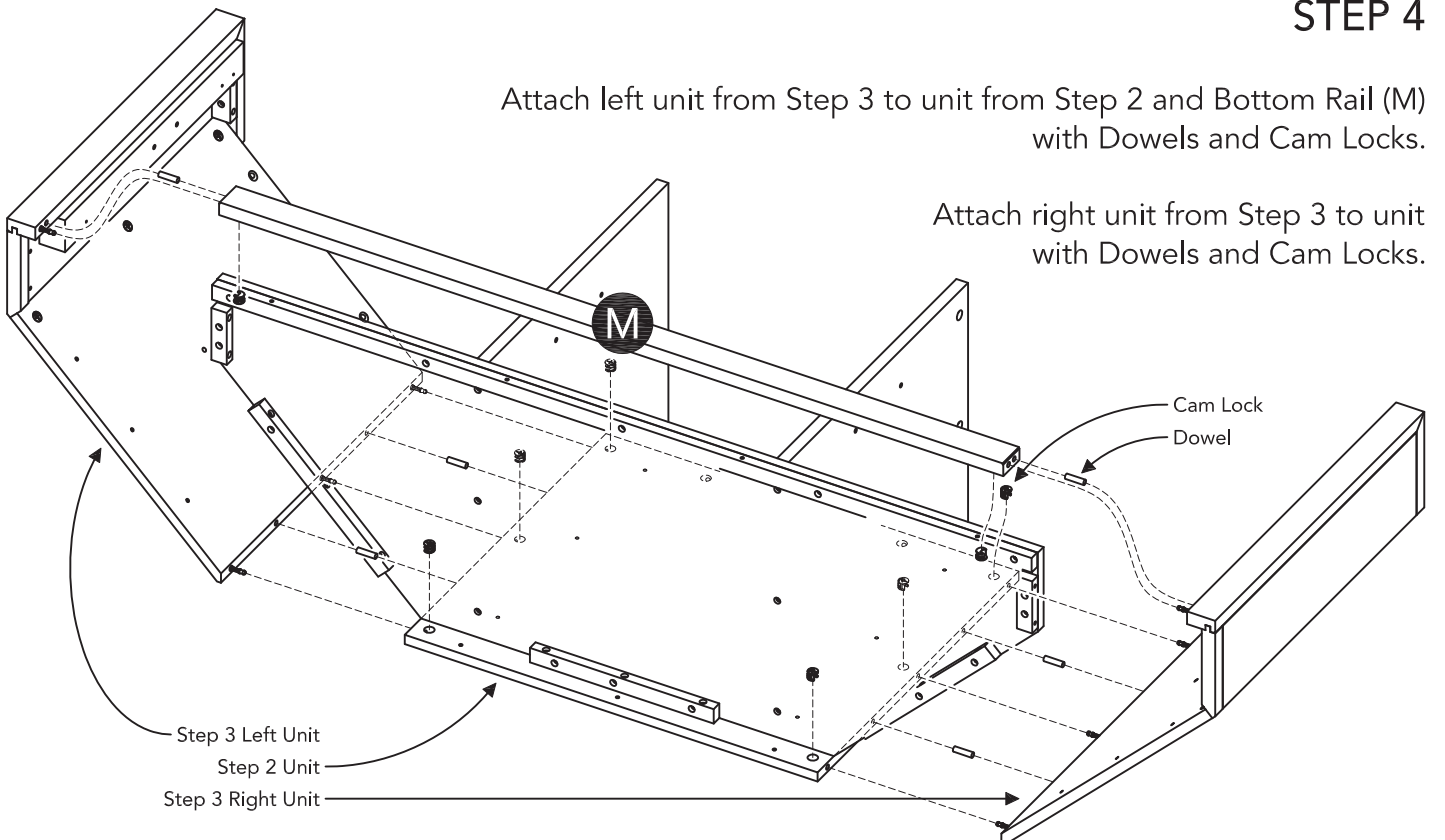


Assembly Instructions 3/8

STEP 3



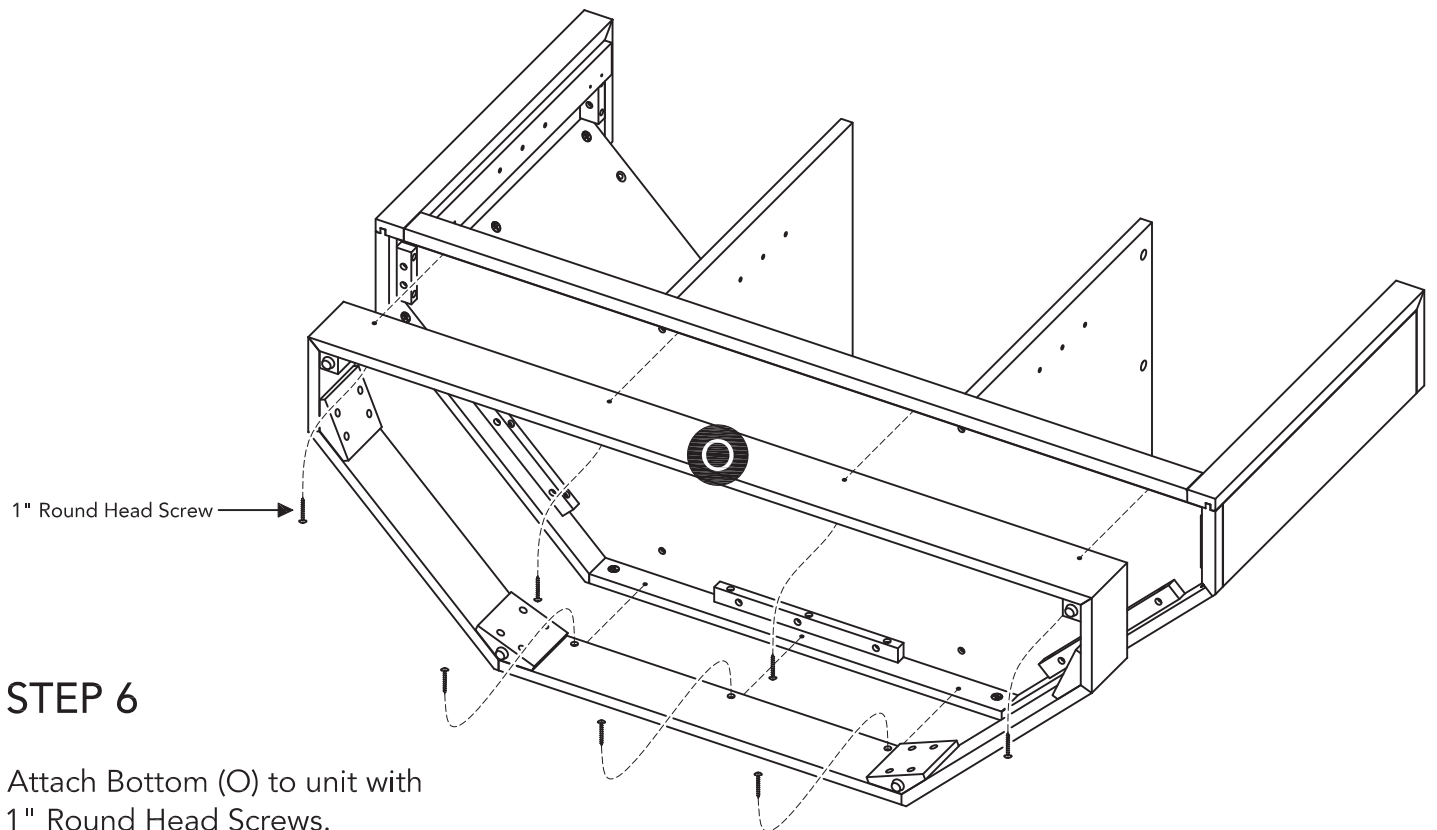
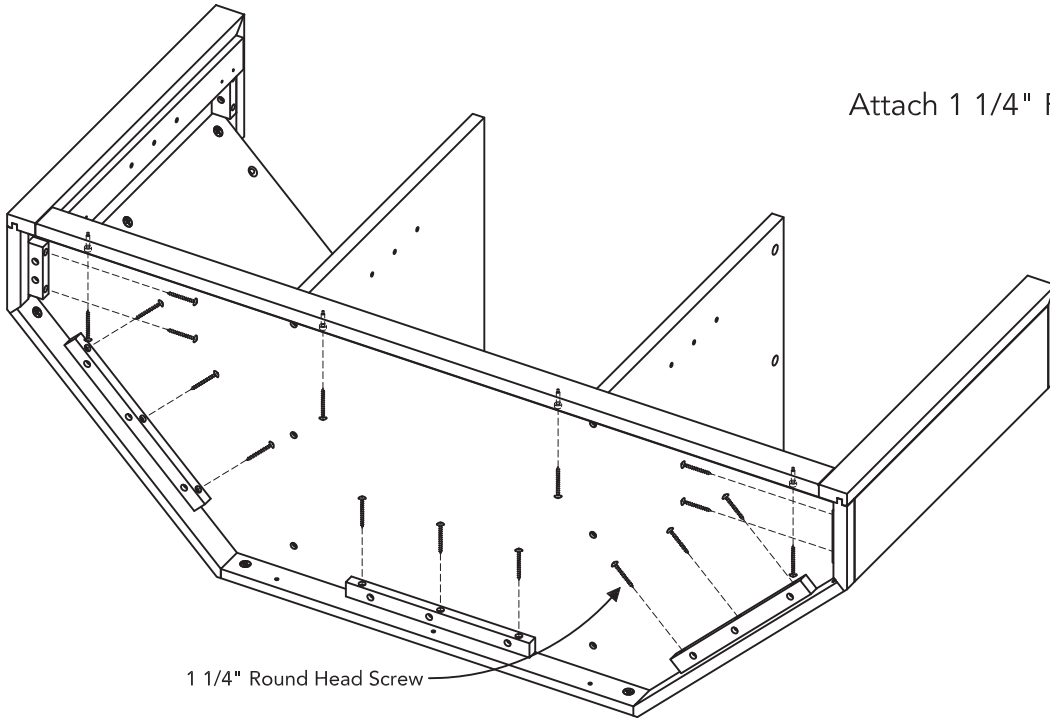
STEP 4



Assembly Instructions 4/8

STEP 5

Attach 1 1/4" Round Head Screws to unit.



Assembly Instructions 5/8

STEP 7

Turn unit to its upright position.

Attach Top (A) to unit with Dowels, Cam Locks, Head Cap Bolts, Spring Washers and Flat Washers.

Tighten Head Cap Bolts with Hex Wrench. (See Figure 2)

Level unit by adjusting the adjustable levelers on bottom of unit. (See Figure 3)

Note: Unit must be level to proceed.

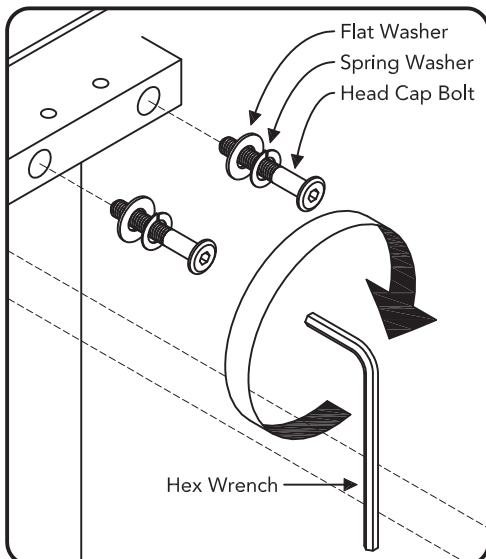
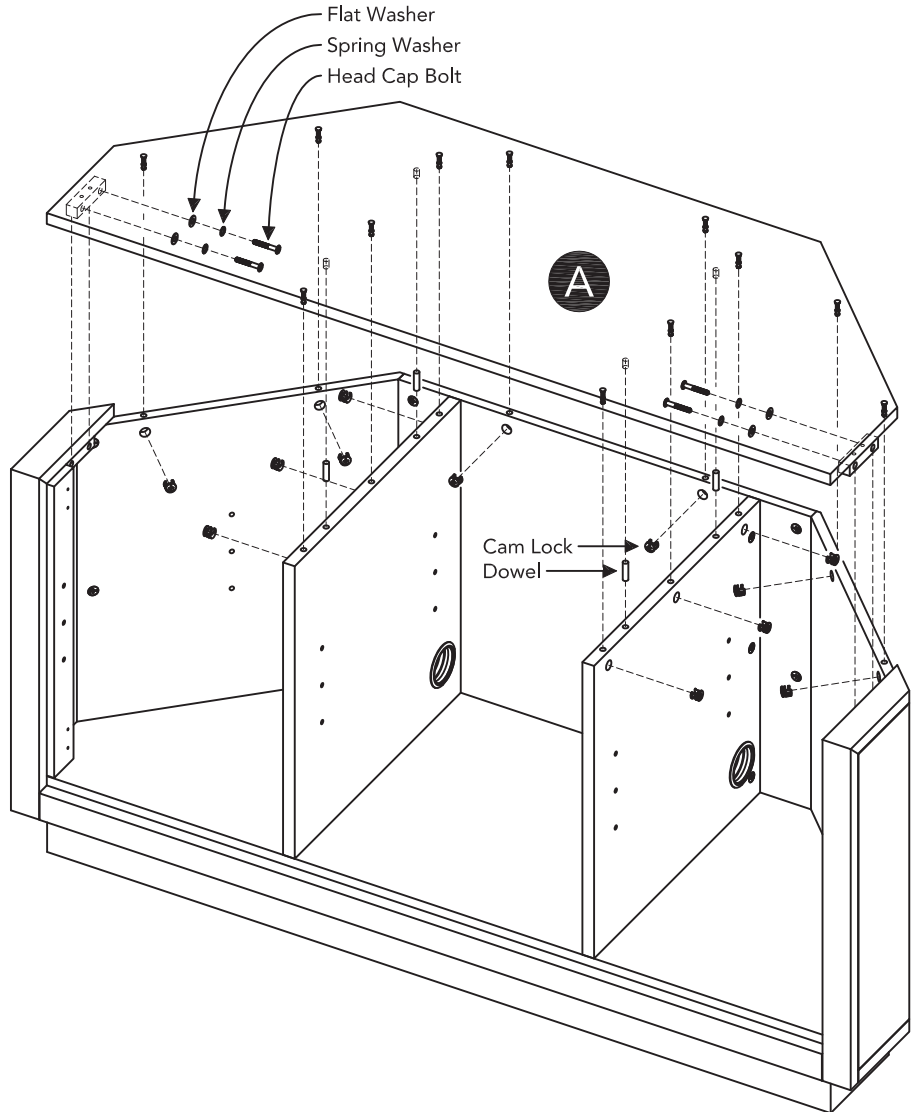


Figure 2

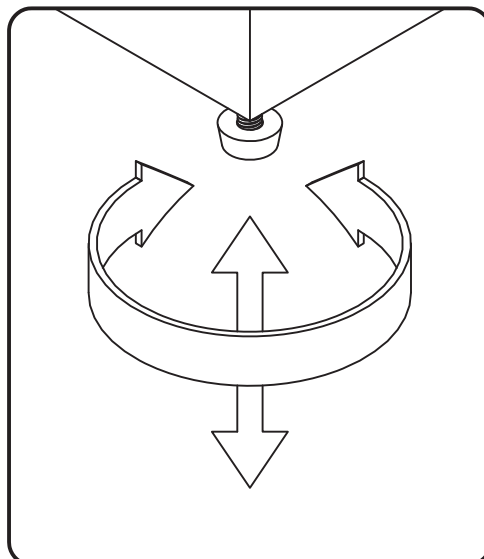


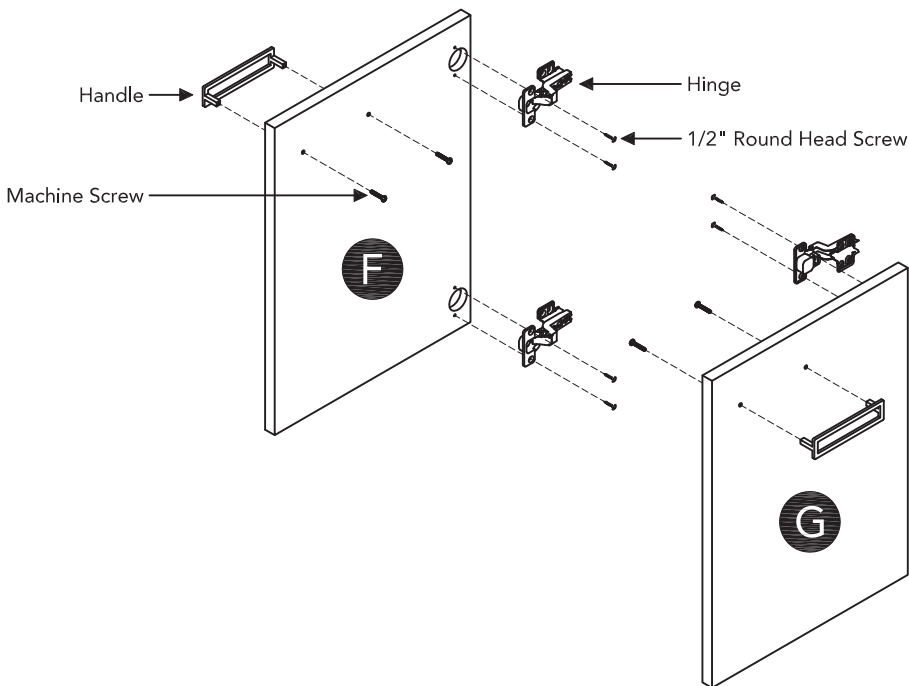
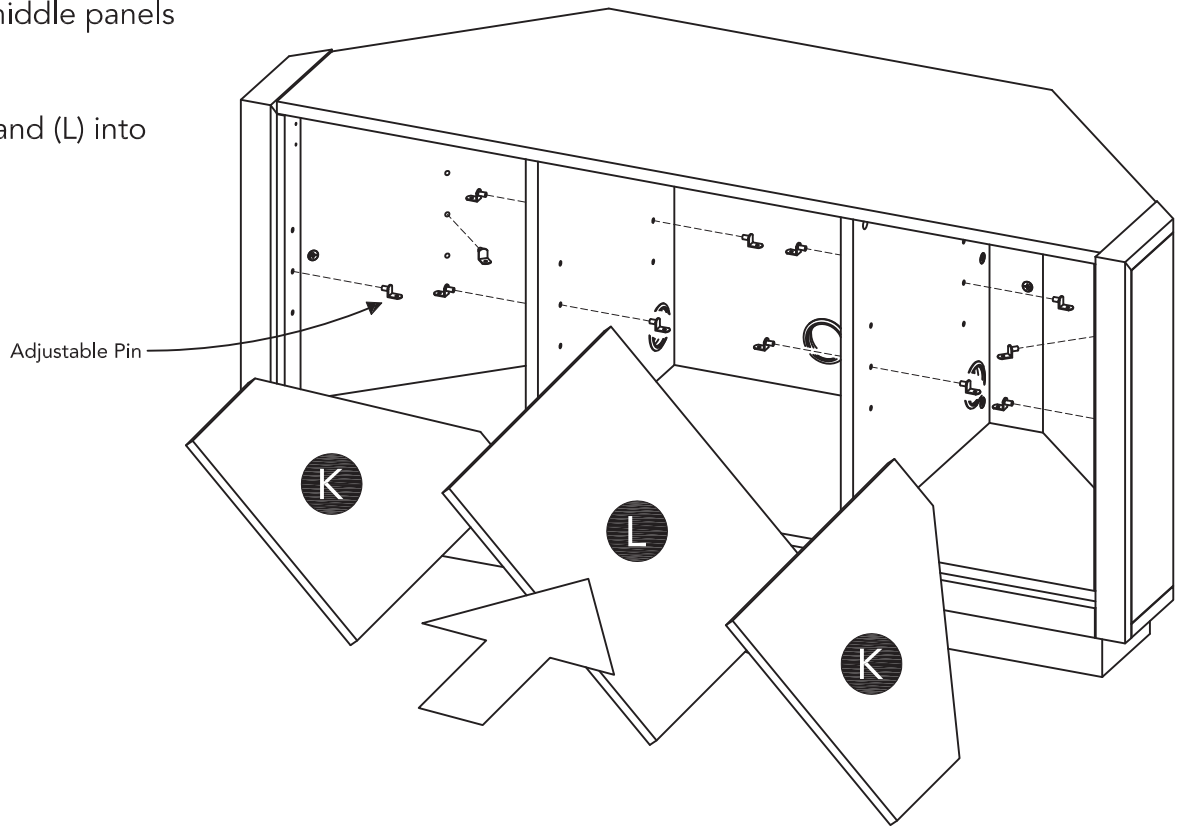
Figure 3

Assembly Instructions 6/8

STEP 8

Insert Adjustable Pins into side panels and middle panels at desired level.

Place Shelves (K) and (L) into position.



STEP 9

Attach Hinges to Doors (F) and (G) with 1/2" Round Head Screws.

Attach Handles to Doors (F) and (G) with Machine Screws.

Assembly Instructions 7/8

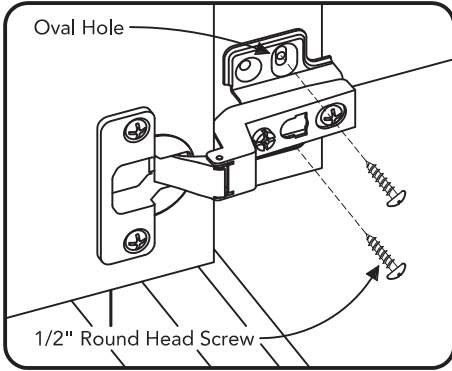
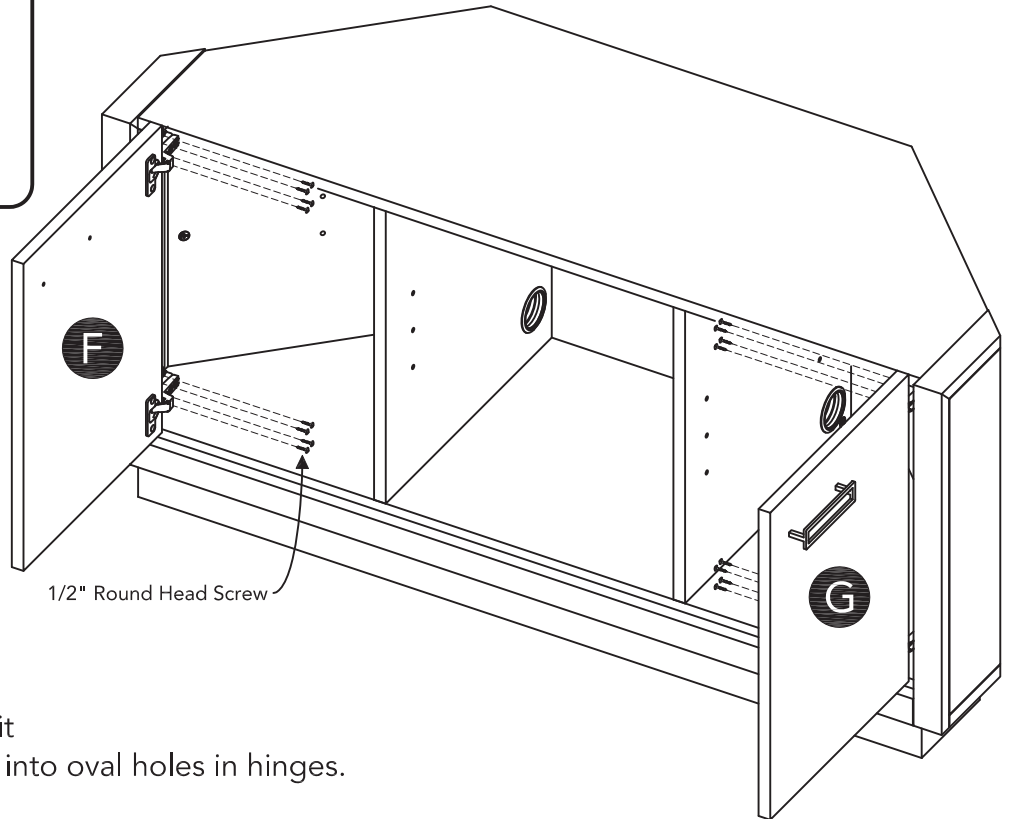


Figure 4



STEP 10

Attach Doors (F) and (G) to unit with 1/2" Round Head Screws into oval holes in hinges. (See Figure 4)

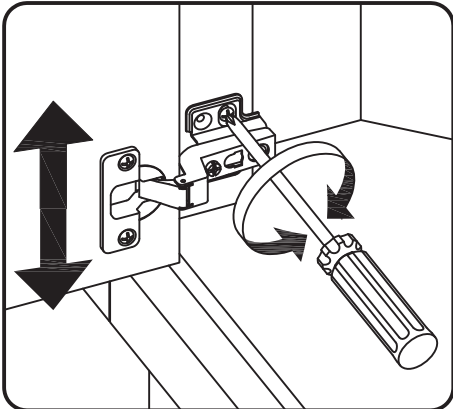


Figure 5

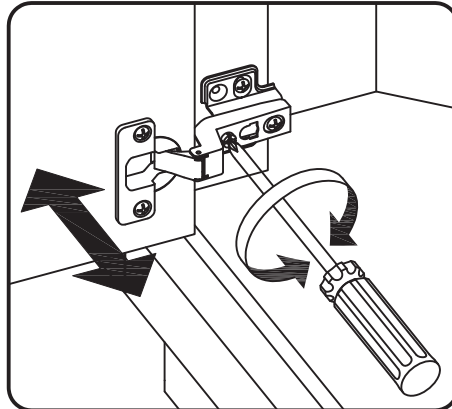


Figure 6

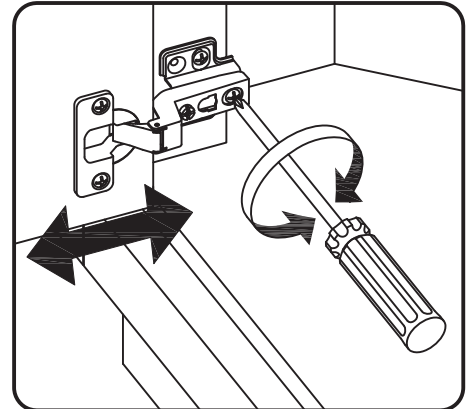


Figure 7

If needed, adjust doors up or down by loosening slightly 1/2" Round Head Screws from side panel, adjusting doors up or down and re-tightening screws. (See Figure 5)

If needed, adjust doors left to right. (See Figure 6)

If needed, adjust doors front to back. (See Figure 7)

Make sure doors do not move and lock doors into position with 1/2" Round Head Screws into round holes in hinges. (See Figure 8)

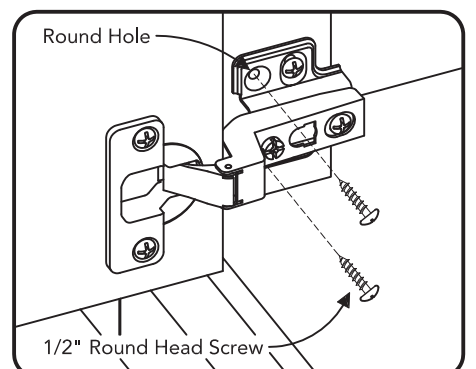


Figure 8

Assembly Instructions 8/8

IMPORTANT

• To help reduce the risk of the unit tipping over, the Tipover Restraint must be installed following these instructions exactly.

STEP 11

Place unit at desired location.

Drill a 3/8" hole in wall in-line with pre-drilled hole at back of unit.

Move unit.

Insert Anchor into the wall hole and attach Bracket with Wall Screw.

Attach Bracket at pre-drilled hole at back of unit with Wood Screw.

Move unit back into place.

Slide Tipover Restraint through Bracket on wall and Bracket on unit.
(See Figure 9)

Put tie end of Tipover Restraint into lock end of Tipover Restraint and pull until tight.

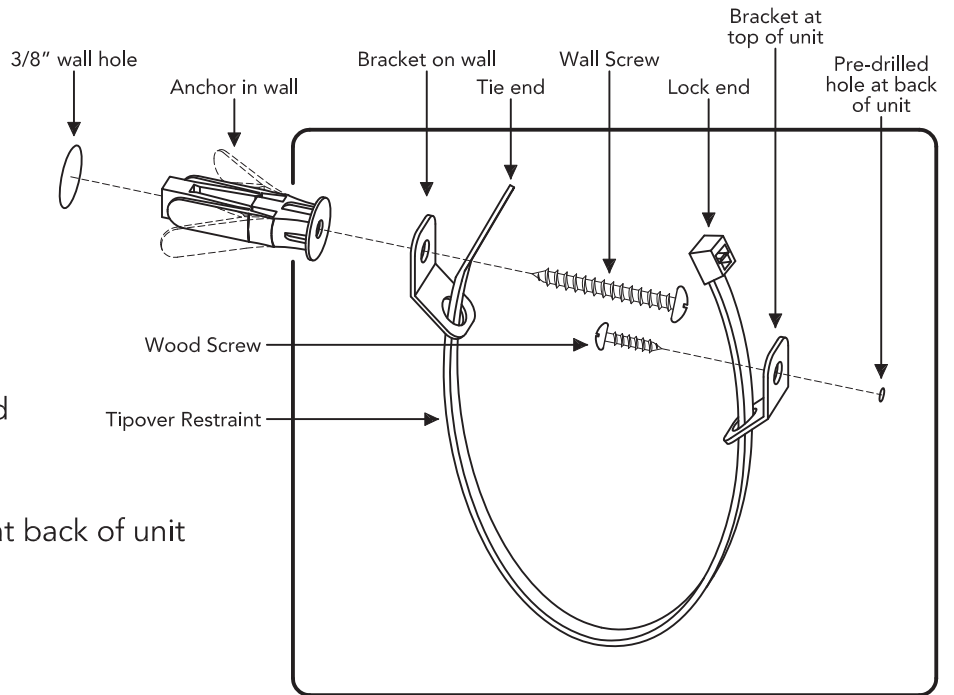
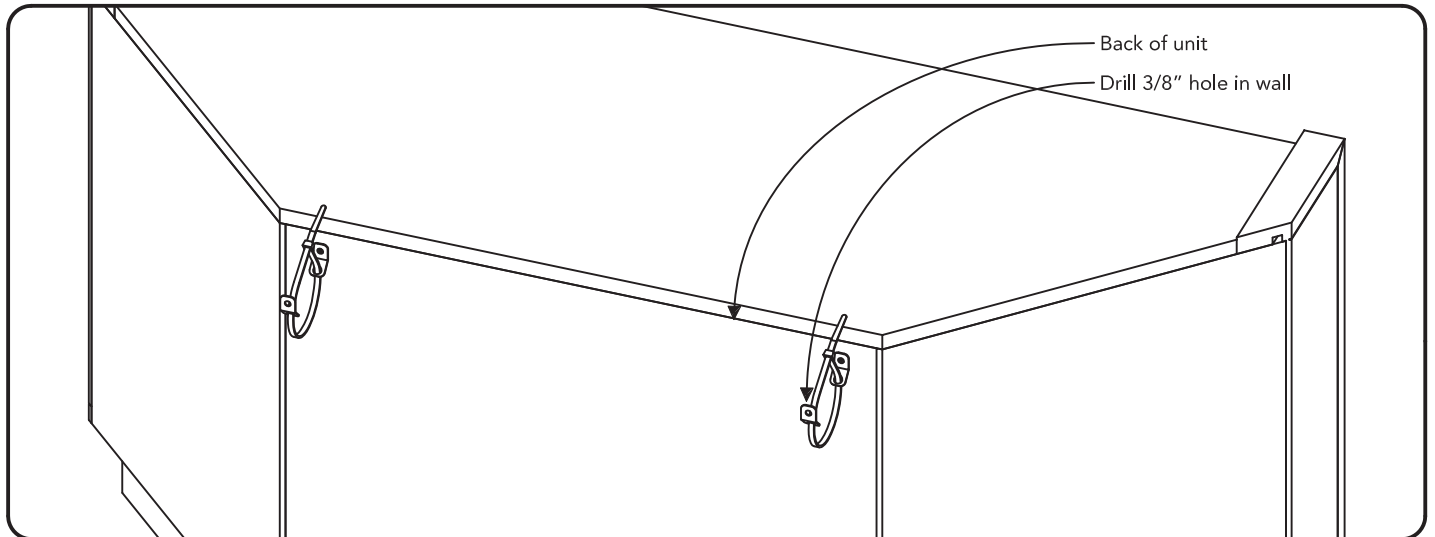
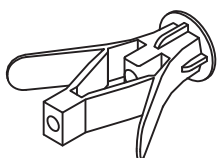


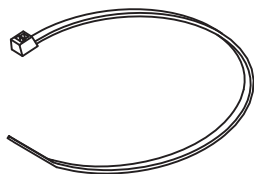
Figure 9



Hardware List



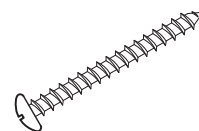
Anchor
2 pcs. (+1 extra)



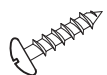
Tipover Restraint
2 pcs.



Bracket
4 pcs.



**M3x38
Wall Screw**
2 pcs. (+1 extra)



**M3x13
Wood Screw**
2 pcs. (+1 extra)

CARE INSTRUCTIONS

NEVER

allow liquids to remain on furniture.
Absorption causes parts to warp
and split and finishes to delaminate.

NEVER

use glass cleaners on
finished furniture. Ammonia
chemically attacks the finish.



Do not use power tools
above 8 volts to assemble.

**PREVENT
CRACKING**



Do not place
in direct sunlight.

**PREVENT
FADING**



Do not write
directly on surface.

**PREVENT
MARKING**



Do not place hot
objects on surface.

**PREVENT
FINISH DAMAGE**



Do not use rubber
based placemats.

**PREVENT
DISCOLORING**



Do not use commercial
waxes and polishes.

**PREVENT
YELLOWING**

CLEAN

with a soft cloth moistened
in lukewarm soap and water.
Buff with a dry clean cloth.



Home Styles will provide replacements free of charge for missing or damaged hardware or parts within 30 days of purchase. Digital images of the defective parts may be required. If the product was not purchased from an authorized retail affiliate, Home Styles is under no obligation to provide replacement parts. Parts are not available for fully assembled items nor are parts available for sale. Replacements for missing or damaged hardware or parts may be requested at:

www.homestyles-furniture.com/customer-service/replacement-parts

Home Styles Customer Service: www.homestyles-furniture.com,
servicedesk@homestyles-furniture.com, 888-680-7460, 877-831-0319