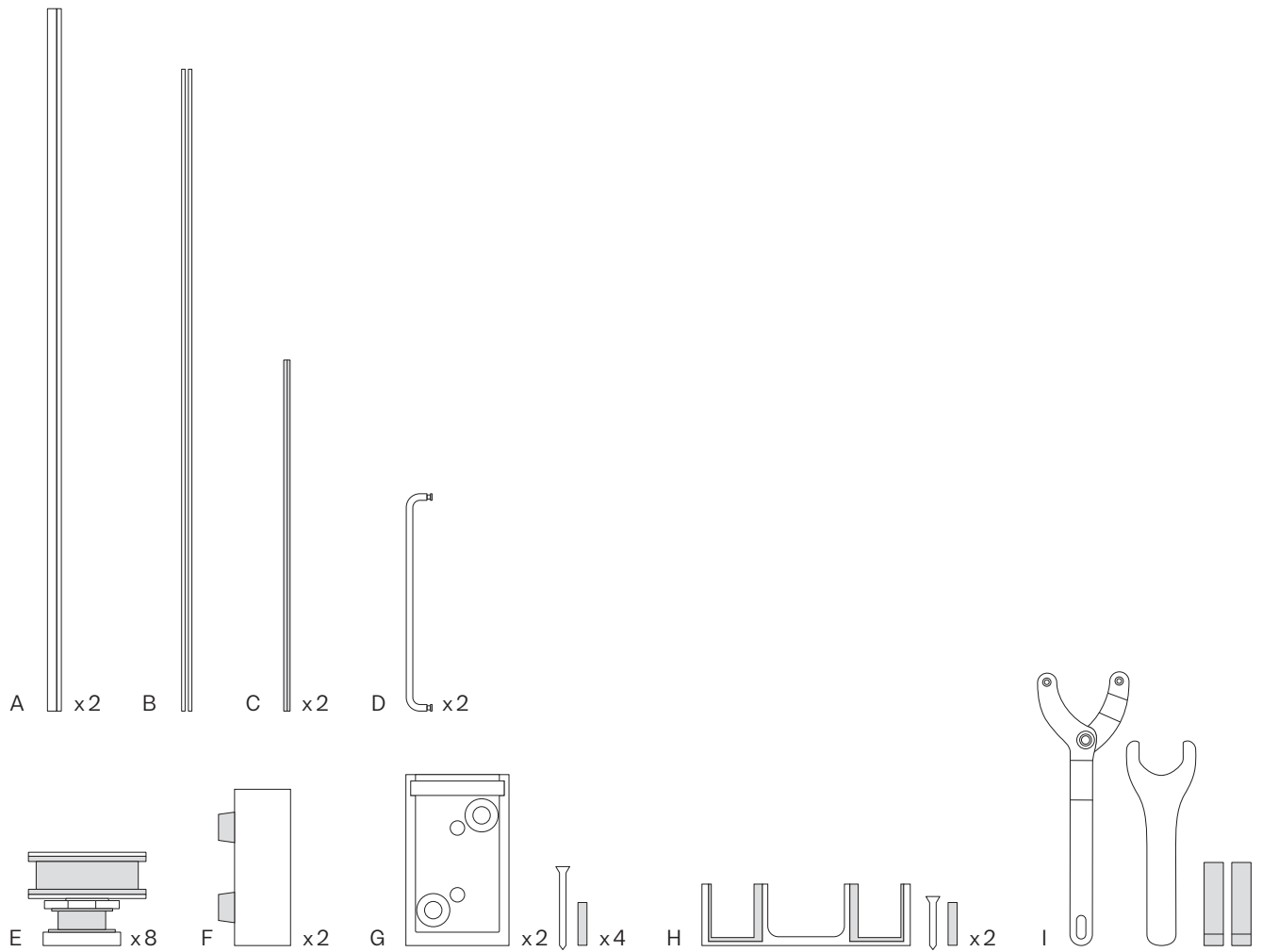


POL-SLDK73

Shower Hardware Installation Guide

Polaris Double Slider
Shower Enclosure
Hardware Kit

FUTUREGLASS



Included in your purchase

- | | | |
|--|----------------------------------|-----------------------------------|
| A L-Shaped Jamb Seals | D Single Sided Towel Bars | G Shower Rod Brackets |
| B Shower Rod | E Slider Panel Rollers | H Bottom Bracket |
| C Bottom Sweeps with Drip Rails | F Sliding Panel Stoppers | I Tool Kit & Rubber Blocks |

Thank you for your purchase.

If for any reason you are having trouble with installation, or if the size of the product does not fit your designated space, please contact Future Glass directly.

Future Glass takes pride in providing quality products and customer service. We want to ensure your happiness with your purchase for years to come.

If you have any questions, please do not hesitate to reach out to us. Thank you again for choosing Future Glass!

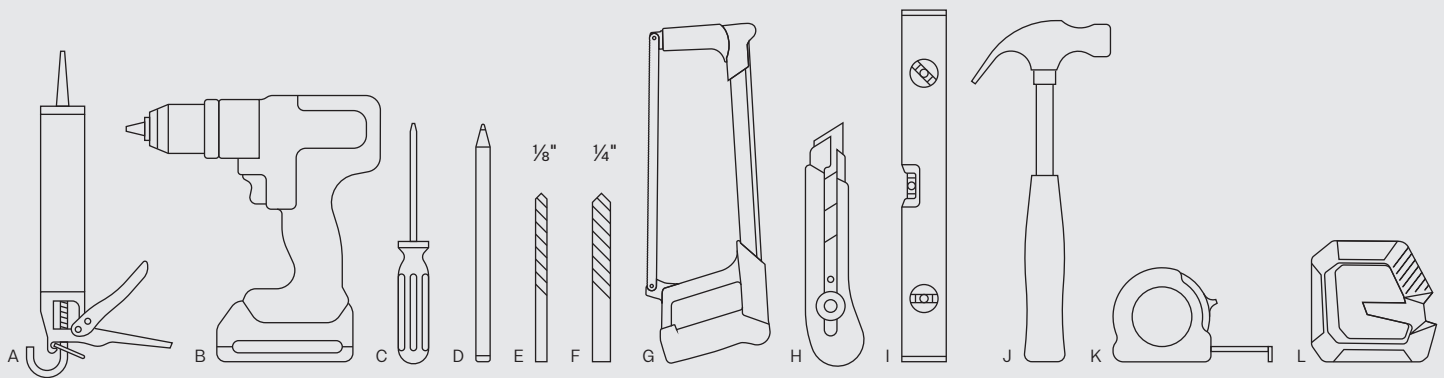
Best Regards,

The Team at Future Glass
(760) 203 6255 ext. 2000
info@futureglass.us

Caution: Prohibited Products *Note these may damage the treatment and void any warranty

- Avoid the use of any abrasives or polishes including water spot removers, toothpaste, polishes, rough, or gritty substances
- Avoid the use of acids or alkalis that you would not want in contact with your skin for an extended period of time
- Avoid products such as Comet, Ajax, Jiff or Cerium Oxide which polish back the actual substrate
- Avoid the use of any harsh or chemical cleaners, with correct maintenance these are never required

Installation Guide



Tools required for install.

- | | |
|------------------------------------|------------------------|
| A Silicone and caulking gun | G Hacksaw |
| B Power drill | H Utility knife |
| C Phillips head screwdriver | I Level |
| D Pencil | J Hammer |
| E 1/8" tile drill bit | K Tape measure |
| F 1/4" tile drill bit | L Laser Level |

Note: Silicone is not provided and will need to be purchased separately. We recommend using a clear, mold resistant silicone which can be purchased at your local hardware store.



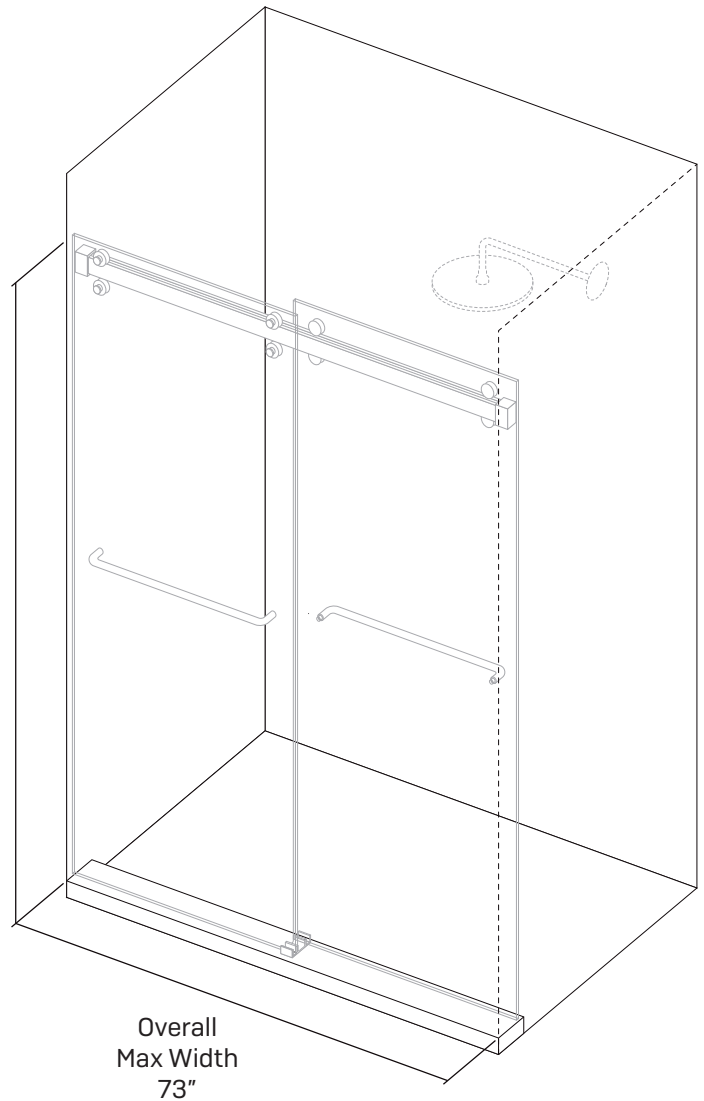
FUTUREGLASS

FUTUREGLASS.US

Before You Start

The Polaris Frameless Double Sliding Shower Door offers a low-profile Shower Rod track and Shower Panel Rollers that are designed and manufactured from heavy-duty durable stainless-steel. This system can be installed in full-standing shower and bathtub enclosures.

- Carefully read these instructions completely and inventory all parts before starting installation.
- Confirm that you have the correct model size. See table below to insure that the model you received will fit your shower opening.
- Confirm your Sliding Glass Door Panels are sized and fabricated properly. Use monolithic tempered glass only. Do not use laminated glass.
- Choose which side of your shower to install the interior Sliding Glass Door Panel. Future Glass highly recommends installing the interior panel on the same side as your shower head. This will help to prevent water leaking from the gap between the two Sliding Glass Door Panels.
- Clean and remove any dirt or grime from your shower sill and wall areas where the new unit will be installed.



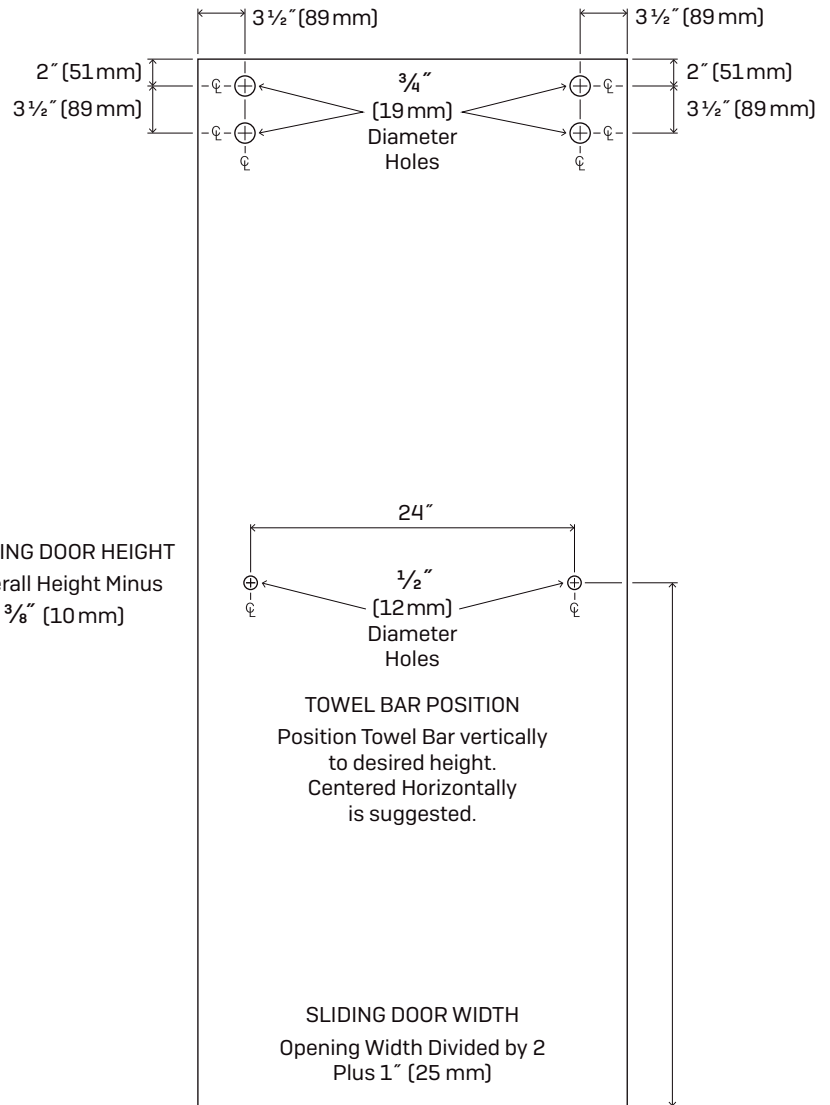
Polaris Double Sliding Shower Door Kits

PRODUCT SKU	MAX SIZE	FINISH
POL-SLDK73-BB	73"	Brushed Bronze
POL-SLDK73-BN	73"	Brushed Nickel
POL-SLDK73-CH	73"	Chrome
POL-SLDK73-MB	73"	Matte Black
POL-SLDK73-SB	73"	Satin Brass

Glass Fabrication

- Designed for use with $\frac{3}{8}$ " (10 mm) Monolithic Tempered Glass
- Do not use Laminated Glass.
- Maximum Recommended Glass Panel weight: 90 lbs.
- Sliding Door Heights: Overall Height minus $\frac{3}{8}$ " (10 mm)
- Sliding Door Widths: Overall Width divided by 2, plus 1" (25 mm)

Important: Drawing not shown to scale. Shower Rod is cut $\frac{1}{2}$ " (12mm) less than Opening Width. Use wall-to-wall tight dimension. Overall Height is height from threshold/ floor to top of glass.



01

Shower Rod Preparation

Determine the height of your shower unit and measure the overall distance between the walls of your shower tub or tile surfaces. Subtract ½" and cut the Shower Rod to length. The Shower Rod is manufactured from stainless steel metal. Use a hacksaw or a special saw blade for proper cutting. Test fit the Shower Rod with the Sliding Panel Stoppers and Shower Rod Brackets installed on the ends to make sure it fits nicely between the walls when level.

Important: Prior to Shower Rod installation, position Sliding Panel Stoppers on each end with rubber bumpers facing back edge of sliding glass door panels in open position. Secure in place after Shower Rod is installed.



02

Mark Locations for Shower Rod Brackets and Bottom Bracket Installation

Determine your shower door location. Typically, it is centered on the threshold. Using a laser level, mark centerline on threshold and level line up each wall. Using securing tape, mark the overall height of your shower on the wall and then measure down 4⅞", marking the location of the bottom for each of the Shower Rod Brackets. Mark holes for Shower Rod Brackets (2 holes on each side). On the threshold or floor, mark the center position (the opening width divided by two) for the Bottom Bracket. Be sure the center of Bottom Bracket is aligned with centerline drawn on threshold or floor. Mark holes for Bottom Bracket installation.

Tip: We recommend using a pencil so this can be easily removed.



Important: Make sure the Shower Rod is installed level. The Sliding Panel Rollers will force a sliding door panel to roll to one side if the Shower Rod is not installed level.



03

Install Shower Rod

Proceed with drilling the tile and installation of the Shower Rod Brackets. Be sure to remove the Shower Rod Bracket top covers prior to installation. Wall mount screws and plastic plug anchors are included with kit. Double check to insure you have pre-installed the (2) Sliding Panel Stoppers properly onto each end of the Shower Rod. Install the Shower Rod by setting it into the installed Shower Rod Brackets and installing the top cover plates and set screws. If small adjustments are needed after the Shower Rod has been installed, there are top and bottom set screws located at each wall mount fitting that can be adjusted.

04

Install Bottom Bracket

Install the Bottom Bracket centered where the sliding glass door panels will overlap. The Bottom Bracket centerline should be inline with previously installed center of Shower Rod. Be sure holes are marked accordingly before drilling. Drill both holes and secure Bottom Bracket using anchors and screws.

Important: Be sure to waterproof any holes drilled in threshold with a silicone sealant.



05

Sliding Glass Panel Installation

Install just (2) of the top Sliding Panel Rollers on each of the panels. On the Sliding Panel Rollers, unscrew the interior plate by hand. If needed, use open wrench and spanner wrench to loosen. Install with flat area on Sliding Panel Rollers wheel parallel to top of sliding glass door panel. To make door height adjustments easier, install Sliding Panel Rollers into the sliding glass door panels with wheel aligned at center of out-of-round position. Using included tools, hold wheel in place with flat area parallel to sliding glass door panel top with open wrench and fasten interior plate to wheel with spanner wrench.

05 (continued)

The bottom (2) Sliding Panel Rollers will be installed after the sliding glass door panels are hung. Cut Bottom Door Sweeps to size and install on sliding glass door panels.

Once that is complete, move forward with hanging the sliding glass panels onto the Shower Rod. Place sliding glass panels onto Shower Rod allowing for $\frac{3}{8}$ " bottom clearance. Once installed, test the sliding glass door panel movement and adjust as needed. Once the adjustments are made to Sliding Panel Rollers, move forward with installing the (2) bottom Sliding Panel Rollers on each panel securing the sliding unit to the Shower Rod.

06

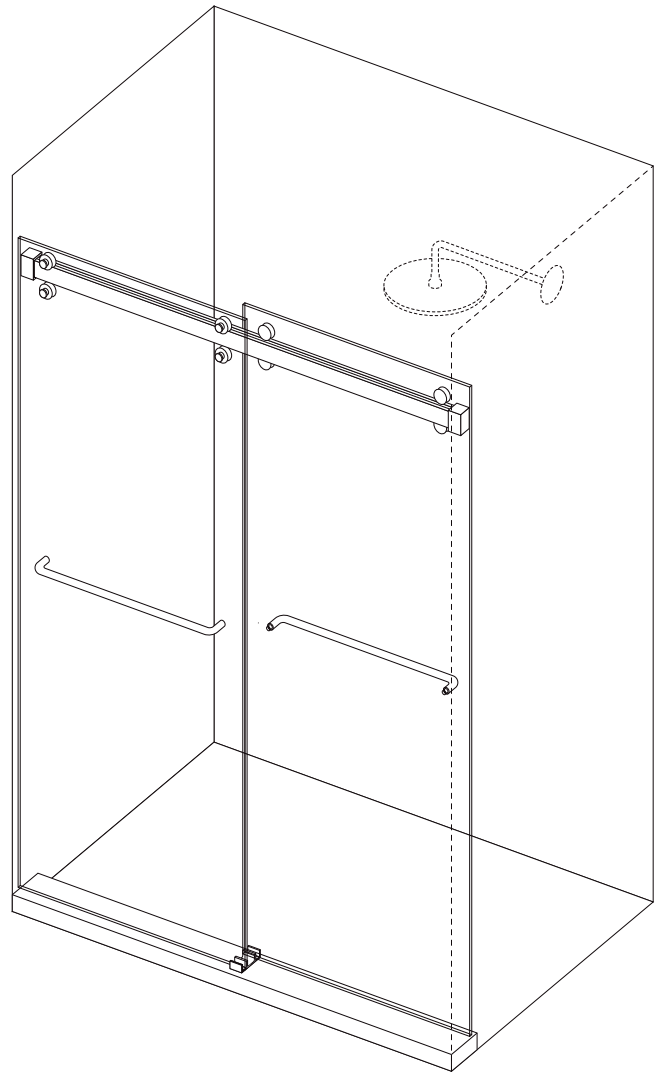
L-Shaped Jamb Seal Installation

The L-Shaped Polycarbonate Jamb Seal comes with adhesive tape pre-applied for easy installation. Remove the tape backing and install, aligning the "nub" on the seal with the glass edge. The nub will act as a bumper for the glass.

07

Towel Bar Installation

The included Single Sided Towel Bars should be installed along with any optional knobs, handles, or hardware at this time. Caulk any areas that need additional sealing, clean and your installation is complete.



Once the Towel Bars are Installed, you're done!

Please register your warranty using the instructions on the back cover of this document.

Exclusive Limited Warranty Terms & Conditions.

Future Glass (“Seller”) provides this warranty to the business or individual (“Buyer”) who purchases a Future Glass product (“Product”) from Seller for the purpose of re-selling the Product to an end user customer (“Customer”). Seller warrants to Buyer that for a period of five (5) years from the date of shipment of the Products to Buyer (“Warranty Period”), that the glass and hardware components of such Products (excluding seals) will materially conform to Seller’s published specifications and will be free from material defects in material and workmanship. If a Product fails to conform to the foregoing warranty and Seller is given notice of such failure during the Warranty Period, Seller shall, in its sole discretion, either (i) repair or replace such Product (or the defective part) or (ii) refund the price paid for such Product. Seller may require that the Product be returned to Seller, at Seller’s expense.

All warranty claims are subject to review and confirmation by Seller. The warranty provided above shall not apply if the Product (i) has been subjected to abuse, misuse, neglect, negligence, accident, improper testing, improper installation, improper storage, improper handling, abnormal physical stress, abnormal environmental conditions, or use contrary to any instructions issued by Seller; (ii) has been altered, repaired, or reconstructed by anyone other than Seller; or (iii) has been used with any third-party hardware or product that has not been previously approved in writing by Seller.

Buyer may pass this warranty through to its own Customers. However, the warranty shall extend only to the original Customer who owned the property at the time of installation and will not apply to any subsequent owners of the property. Buyer may not modify the terms of this warranty and shall not give or otherwise make any other warranties to Customers on behalf of Seller.

EXCEPT FOR THE PRECEDING WARRANTY, SELLER MAKES NO WARRANTY TO BUYER WHATSOEVER WITH RESPECT TO THE PRODUCTS AND HEREBY DISCLAIMS ALL OTHER WARRANTIES, INCLUDING ANY (I) WARRANTY OF MERCHANTABILITY; (II) WARRANTY OF FITNESS FOR A PARTICULAR PURPOSE; OR (III) WARRANTY AGAINST INFRINGEMENT OF INTELLECTUAL PROPERTY RIGHTS OF A THIRD PARTY; WHETHER EXPRESS OR IMPLIED BY LAW, COURSE OF DEALING, COURSE OF PERFORMANCE, USAGE OF TRADE OR OTHERWISE.

Sole Remedy:

THE REMEDIES SET FORTH ABOVE IN THESE WARRANTY PROVISIONS SHALL BE BUYER’S SOLE AND EXCLUSIVE REMEDY AND SELLER’S ENTIRE LIABILITY FOR ANY BREACH OF THE LIMITED WARRANTY SET FORTH HEREIN.

WARRANTY SERVICE

To activate your limited warranty, please visit:
<https://futureglass.us/pages/contact/>



Please register your information within 30 days of purchase to complete the activation of your warranty.

**Contact Technical Support:
Monday – Friday 8am – 5pm – PST**

Technical Support: 760-203-6255 ext. 2000

FUTUREGLASS

Register Your Warranty Today!

To activate your limited warranty, please visit:
<https://futureglass.us/pages/contact/>



We will require this information within 30 days of purchase to complete the activation of your warranty.