



XOD1HPBF
SINK PRO NANOGRIND

QUICKCONNECT BATCH FEED WASTE DISPOSALS



XOD1HPBF

- QuickConnect Mount System
- High Speed Magnet Motor
- Septic Safe

YOUR XO KITCHEN WASTE DISPOSAL

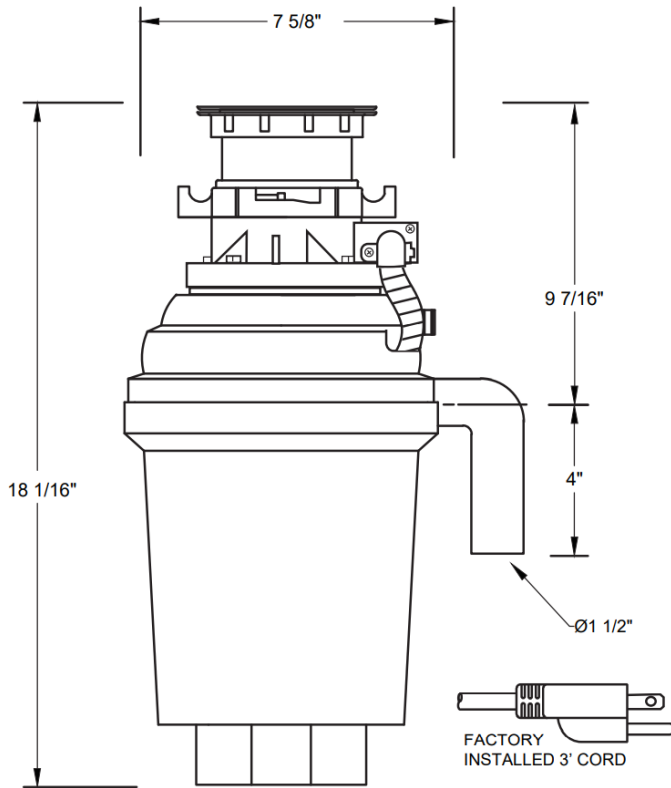
XO WASTE DISPOSALS are the green kitchen convenience you can feel good about buying and using. Make cleanups a breeze and your kitchen clean and odor free. Quick, quiet grinding power to cut through tough foods. Backed by the best warranty in the business. Strong, Quiet, Reliable and takes out the garbage without being asked twice.

Is it possible to fall in love with an appliance?

WORLD CLASS SERVICE | COMPREHENSIVE WARRANTIES

OUR LASTING COMMITMENT TO YOU

CATEGORY: Batch Feed **QuickConnect Mount System**



Limited warranty
see website for details



For 90 days, all our products are backed by our unique Love It or Leave It Guarantee*

(*Does not apply to XO Outdoor Kitchen Products)

PRODUCT HIGHLIGHTS

- Permanent Magnet Motor
- Generates High Torque / Avoid Jams
- Stainless Steel Turntable & Cast Impellers
- Bio-guard Antimicrobial Protection
- Safety Feed Stopper
- Septic Safe / Fine Grind
- Sound Insulation Shield
- XO QuickConnect Mount System

SPECIFICATIONS

- 1 HP Batch Feed Disposal
- 3' Long 3 Prong Power Cord
- Manual Reset Thermal Overload Protection
- 120 V / 60 Hz - 6.3 amps
- All XO Disposals are UL Listed

SAFETY FEED GUARD

No remote switch required. Unit operates when the Safety Feed Guard is inserted into the drain and pushed down to activate

