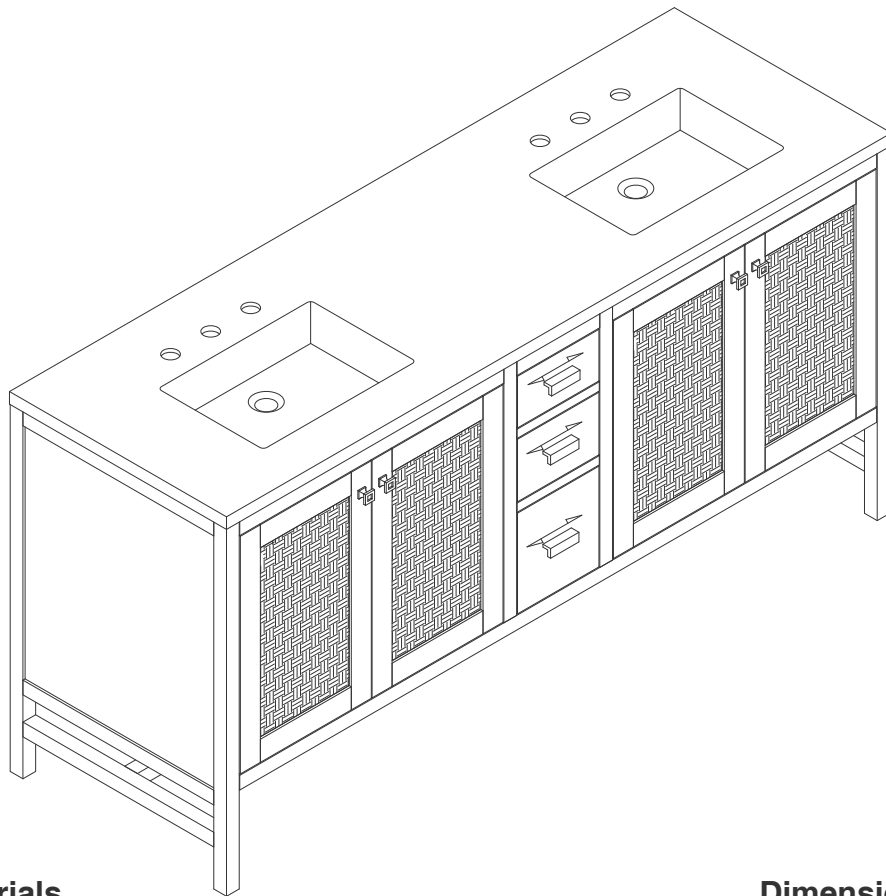


# 72" ADDISON VANITY

**JAMES MARTIN**  
VANITIES

E444-V72-MCA



## Features and Materials

Solids: Para Wood and Yellow Poplar  
Veneers: Mango  
Panels: MDF  
Installation Type: Floor Standing  
Number of Basins: Two, with Optional 3cm Top  
Vanity Top Included: NO, Optional 3cm Tops Available with Sinks  
Basins Included: NO  
Overflow: Yes, Front Facing  
Number of Doors: Four  
Number of Drawers: Three  
USB/Power Component: YES (ETL5011080)  
Cord Length: 6'6"  
Assembly Type: Yes, with Optional 3cm Top  
Bamboo Storage Tray: YES  
Door Panel: Reversible. One Side Finished in Mid-Century Acacia, One Side Natural Cork (Pattern: Herringbone )  
Drawer Box Material and Construction: 15mm Poplar/English  
Fits Drain Hole Size: 1 3/4"  
Full Extension, Soft Close Glides  
European Soft Close Hinges  
Aluminum Laminate Drawer Liners  
Adjustable Levelers

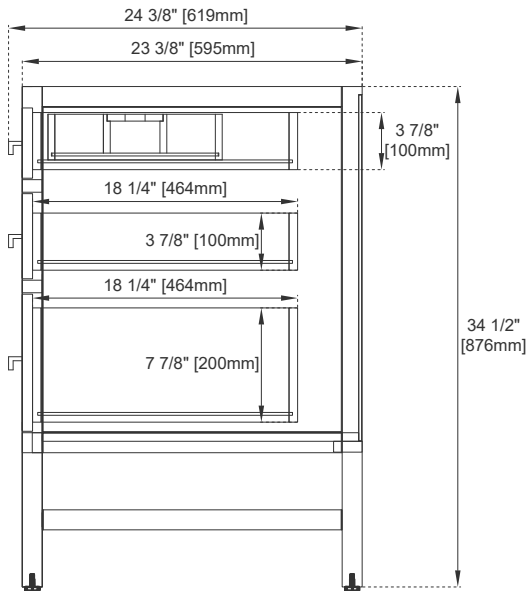
## Dimension

Width: 71-7/8"  
Depth: 23-3/8"  
Height: 34-1/2"  
Rough-In Height: 21-1/2"

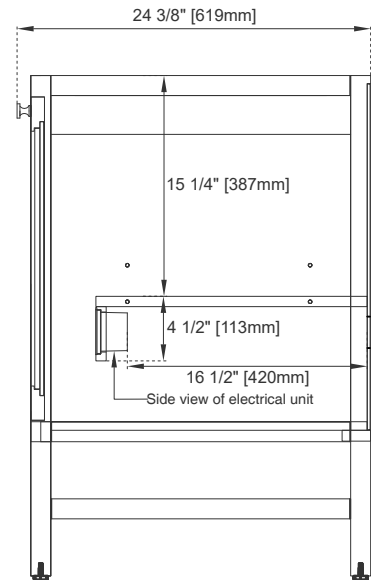


# 72" ADDISON VANITY

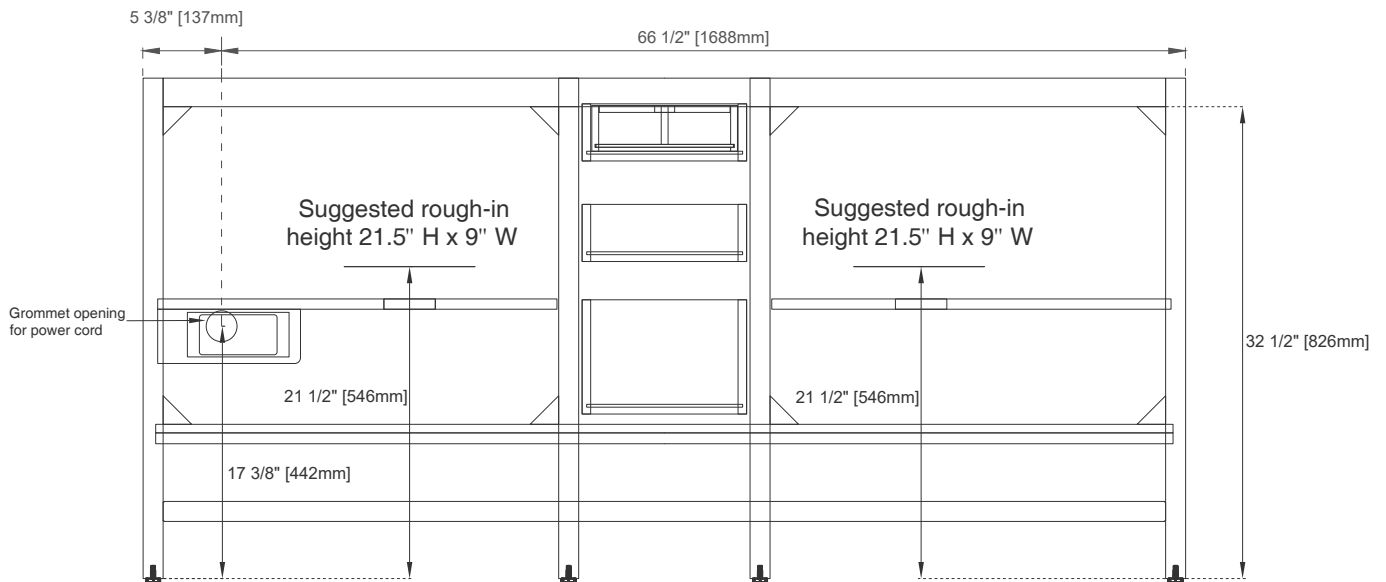
E444-V72-MCA



Side View 1



Side View 2



Back View

All dimensions are nominal  
 Diagrams are of cabinet only—James Martin Optional Countertops and sinks are not shown

Visit website for warranty and installation information  
[www.jamesmartinvanities.com](http://www.jamesmartinvanities.com)