

Installation Guide

Intelligent Toilet

Français, page "Français-1"
Español, página "Español-1"

THE BOLD LOOK
OF **KOHLER**®

Important Information

NOTE: This product is designed for installation with the electrical and water supplies located through the wall.

Grounding Instructions

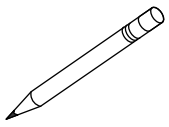
- This product should be grounded. In the event of an electrical short circuit, grounding reduces the risk of electric shock by providing an escape wire for the electric current. This product is equipped with a cord having a grounding wire with a grounding plug. The plug must be plugged into an outlet that is properly installed and grounded.



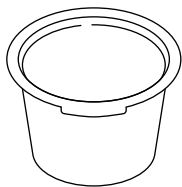
WARNING: Risk of electric shock. Improper use of the grounding plug can result in a risk of electric shock.

- If repair or replacement of the cord or plug is necessary, do not connect the grounding wire to either flat blade terminal. The wire with insulation having an outer surface that is green with or without yellow stripes is the grounding wire.
- Check with a qualified electrician or service personnel if the grounding instructions are not completely understood, or if in doubt whether the product is properly grounded.
- This product is factory equipped with a specific electric cord and plug to permit connection to a proper electric circuit. Make sure that the product is connected to an outlet having the same configuration as the plug. No adapter should be used with this product. Do not modify the plug provided — if it will not fit the outlet, have the proper outlet installed by a qualified electrician. If the product must be reconnected for use on a different type of electric circuit, the connection should be made by qualified service personnel.

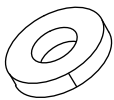
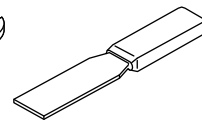
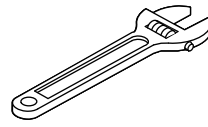
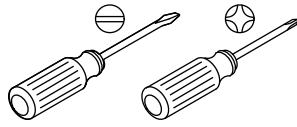
Tools and Materials



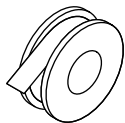
Pencil or Felt
Tip Marker



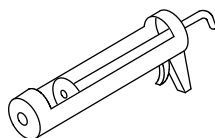
Bucket



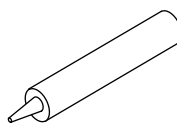
Masking
Tape



Sealant
Tape



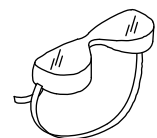
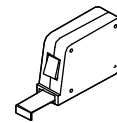
Caulk Gun



Caulk



Drill w/1/4" and
3/16" Drill Bits



Before You Begin



WARNING: Risk of electric shock. Disconnect the power before servicing.



WARNING: Risk of electrical shock. Connect only to a properly grounded, grounding-type receptacle that is protected by a Ground-Fault Circuit-Interrupter (GFCI)*. Do not remove the grounding pin or use a grounding adapter.



CAUTION: Risk of hazardous gases. If a new toilet is not installed immediately, temporarily place a rag in the floor flange opening.

*Outside North America, this device may be known as a Residual Current Device (RCD).

Before You Begin (cont.)

IMPORTANT! The water supply input pipe must be a minimum of 1/2" copper pipe or 3/4" PEX tube to provide the minimum water flow for this product to operate properly.

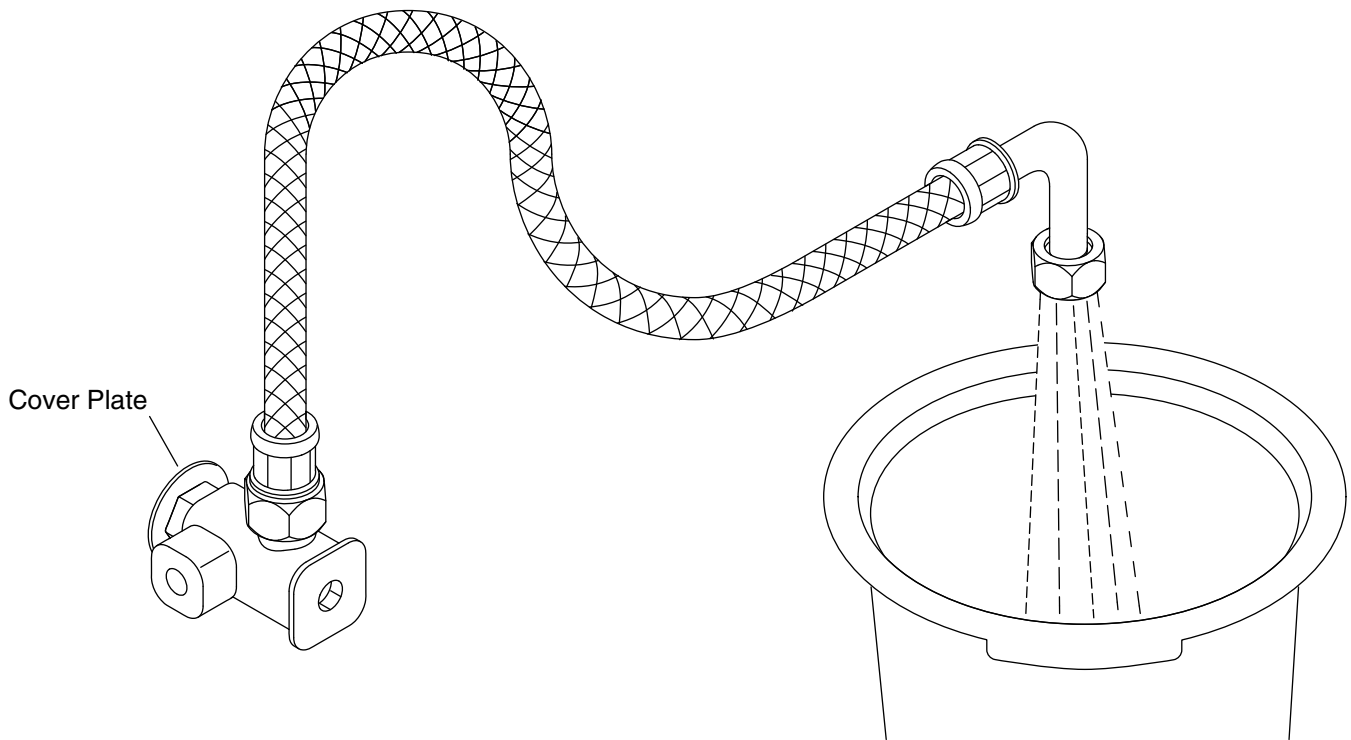
IMPORTANT! Use the supply hose and valve (1/2" NPT) provided with the product. The previously installed hose and valve will not work with this product.

IMPORTANT! This product requires a minimum flow rate of 6.0 gal/min (23 l/min) when installed for satisfactory rim wash performance. Maximum static pressure is 80 psi (552 kPa).

IMPORTANT! For installation in Mexico, the recommended static pressure is 45 psi (310 kPa).

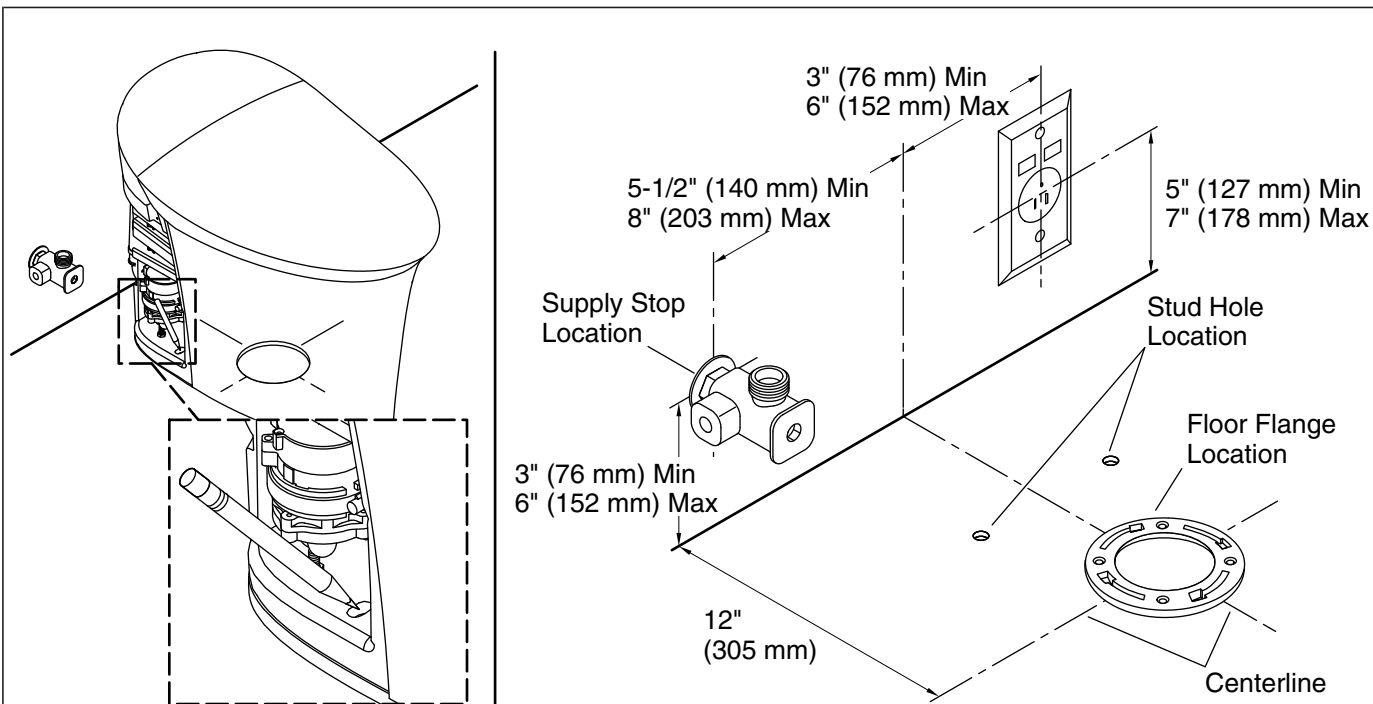
NOTICE: The Canadian Electric Code requires receptacles installed in bathrooms to be located at least 39-3/8" (1000 mm) from a bath or shower if practical, but in no case less than 19-11/16" (500 mm). If the installation is in Canada, install this unit in accordance with the Canadian Electrical Code, Part 1.

- Observe all local plumbing and building codes.
- Carefully inspect the new toilet for any damage.
- There is a wiring schematic on the inside of the access cover.
- Consult the Homeowners Guide for user directions.
- Consult the Homeowners Guide for troubleshooting instructions.



1. Confirm Water Flow Rate

- Turn OFF the water supply.
- Remove the existing supply stop and hose.
- Install the supply pipe at the location shown in the "Prepare the Site" section.
- Slide the cover plate (not provided) onto the supply pipe.
- Apply thread sealant to the supply pipe end (1/2" NPT male).
- Thread the supply stop (1/2" NPT female) onto the wall at the water supply.
- Direct the supply hose end into a 3 gal (11.4 l) or larger bucket.
- Make sure that the supply stop can provide a minimum of 1 gal (3.8 l) or more in 10 seconds.
- Shut OFF the water supply.
- Disconnect the previously installed supply hose.



2. Prepare the Site



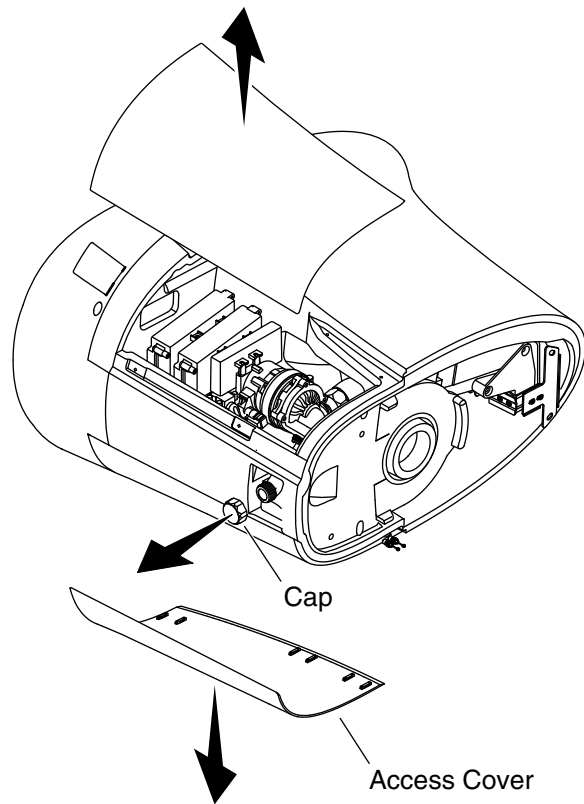
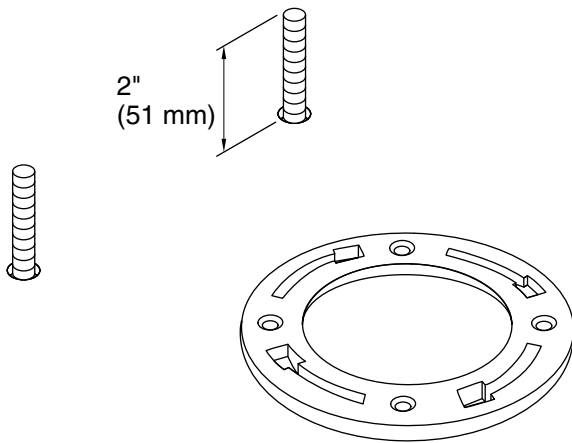
CAUTION: Risk of hazardous gases. If the new toilet is not installed immediately, temporarily place a rag in the closet flange.

NOTE: If the rough-in distance is less than 12" (305 mm) the seat may strike the wall when it is opened. Confirm that the rough-in is 12" (305 mm) before installing the toilet.

- Remove the old toilet.
- Remove the wax residue from the flange.

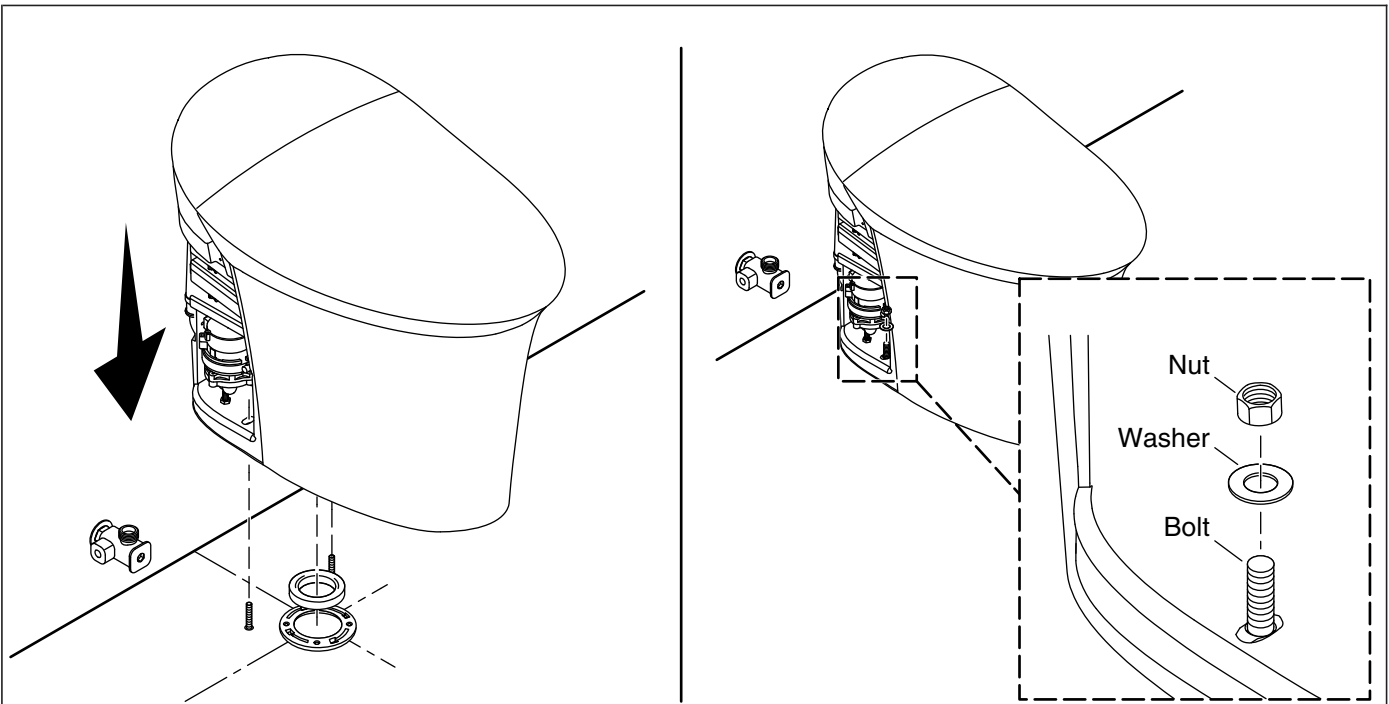
NOTE: Do not install the wax ring at this time.

- Move the toilet into the installation position.
- Confirm that the toilet is properly aligned with the floor flange.
- Using the toilet as a template, mark the location of the stud holes.
- Verify that the supply stop and electrical outlet are located within the supplied dimensions.
- Remove the toilet from the temporary position.
- Using a 3/16" bit, drill holes at the marked locations.
- For tile installations, drill a relief hole in the tile.
- Install the electrical outlet at the location shown.



3. Prepare the Toilet

- Insert a stud into each of the holes. Tighten the studs with the two nuts (provided) until 2" (51 mm) of the stud extends above the finished floor.
- Remove the access covers.
- Remove the cap from the water inlet on the back of the toilet.



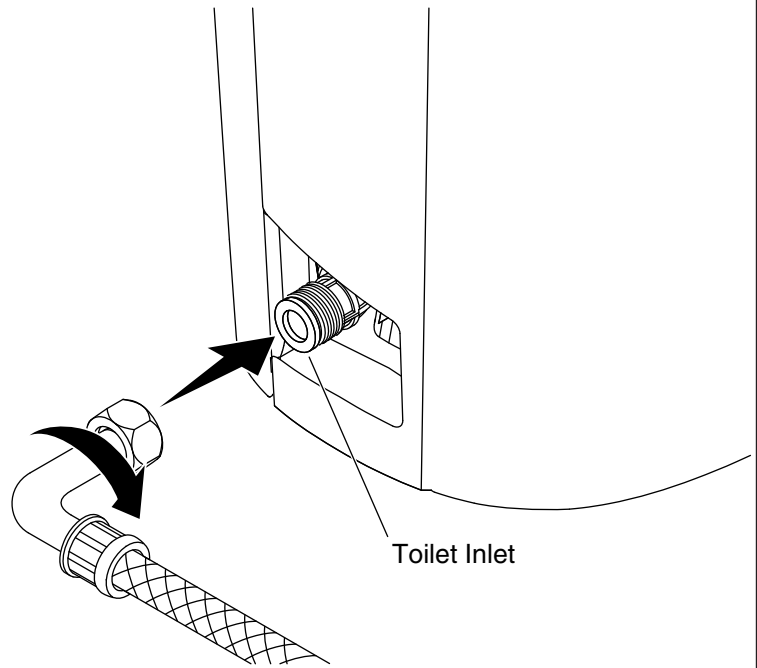
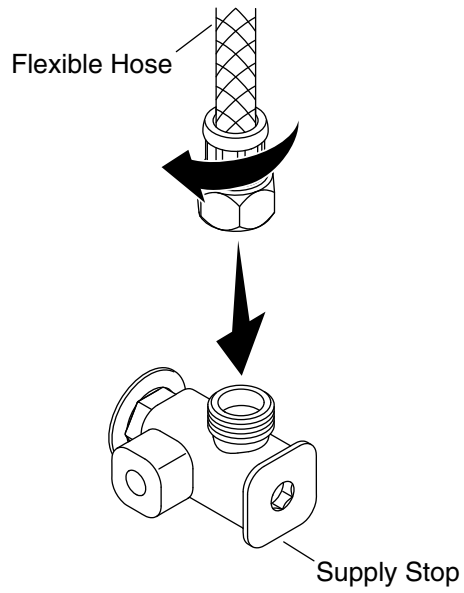
4. Secure the Toilet



CAUTION: Risk of property damage. Do not rock or lift the toilet after placement. The seal created by the wax ring may break, resulting in leaking.

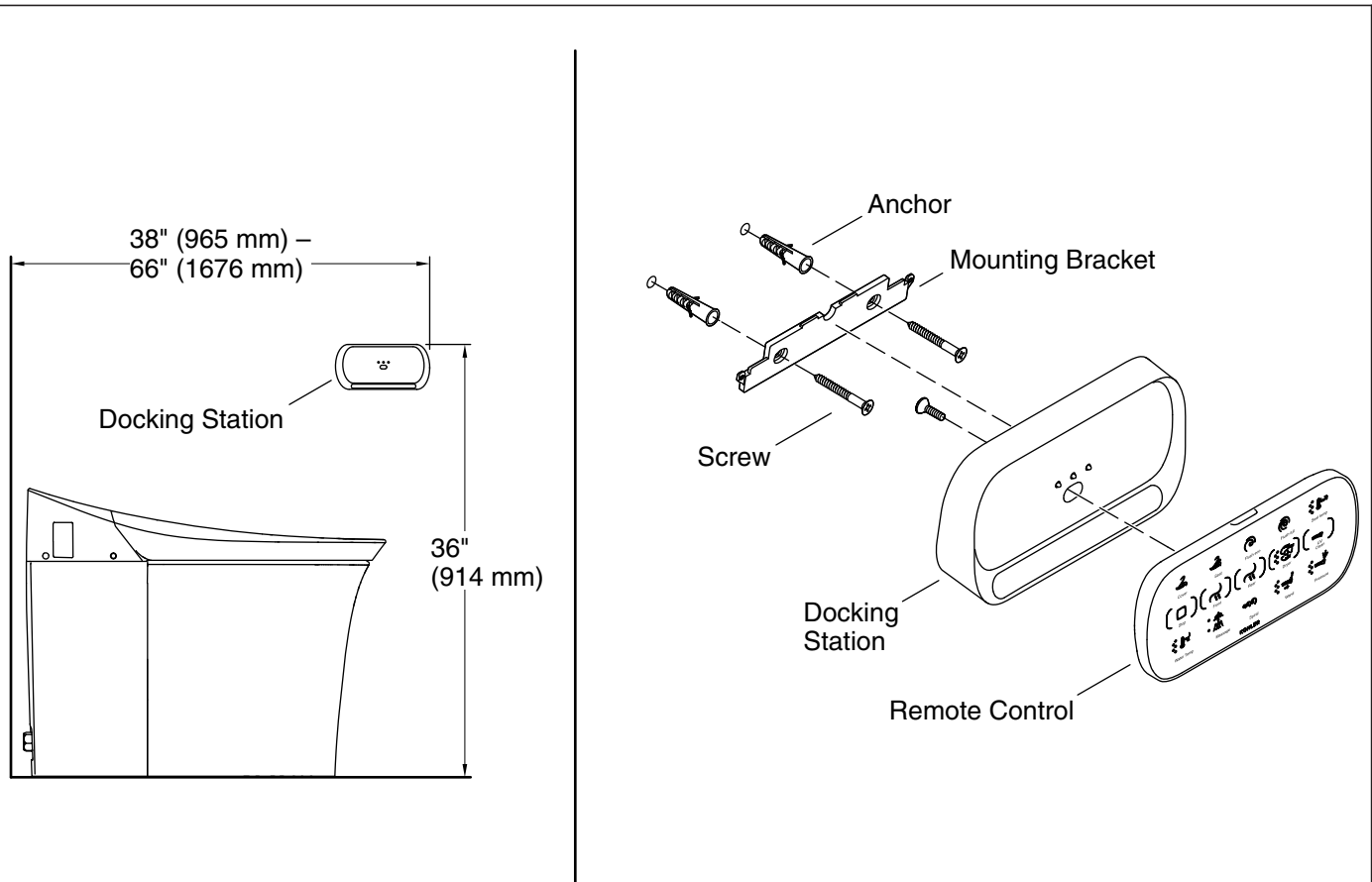
CAUTION: Risk of product damage. Do not overtighten the mounting studs. Do not cut or shorten the studs.

- Position the wax ring on the floor flange.
- Align the toilet over the floor flange and studs.
- Position the toilet over the floor flange so that the holes in the base of the toilet align with the studs.
- Carefully lower the toilet on the centerline.
- Press down evenly on the toilet to set the wax ring.
- Install a washer on each bolt.
- Thread a nut onto each bolt.
- Handtighten the nuts.
- Wrench-tighten the nuts one quarter turn past hand-tight.



5. Connect the Water Hose

- Connect the flexible hose to the supply stop and the toilet inlet.
- Open the supply stop.
- Check for leaks.

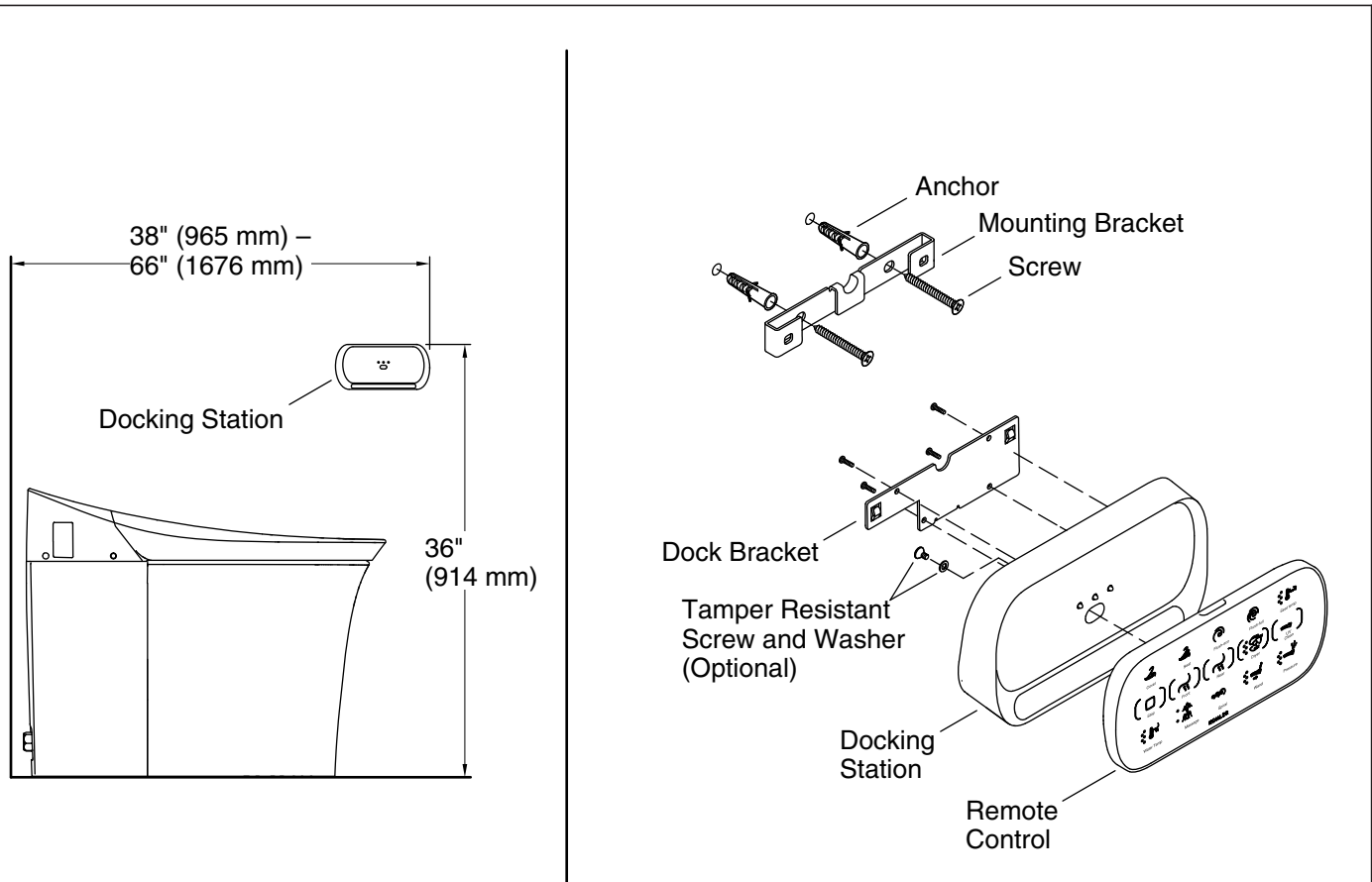


6. Install the Remote Control - Residential

- Determine the desired location of the remote control docking station.
- Position the mounting bracket in the desired location and mark the location of the screw holes. Remove the mounting bracket.
- Drill 1/4" holes at each of the screw locations.
- Install an anchor into each of the holes.

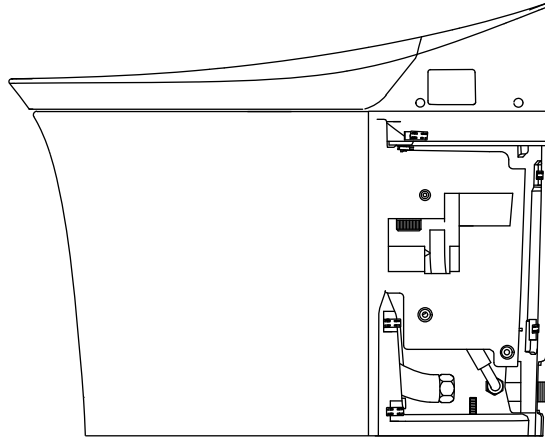
NOTE: A screw and washer designed to make the docking station tamper resistant are provided. Installation is optional.

- If desired, install the dock bracket (shown in next step) to the docking station with the four screws. If desired, install the optional tamper resistant washer and screw.
- Attach the mounting bracket to the wall using the two screws (provided).
- Place the remote control on the docking station.
- Install the batteries in the docking station (consult the Homeowners Guide for instructions if needed).
- Attach the docking station to the mounting bracket.
- To pair the remote control to the toilet, consult the Homeowners Guide.



7. Install the Remote Control - Commercial

- Install the commercial dock bracket with the four screws.
- Determine the desired location of the remote control docking station.
- Position the mounting bracket in the desired location and mark the location of the screw holes. Remove the mounting bracket.
- Drill 1/4" holes at each of the screw locations.
- Install an anchor into each of the holes.
- Attach the mounting bracket to the wall using the two screws (provided).
- Place the remote control on the docking station.
- To make the remote control tamper resistant, install the supplied screw through docking station into the remote control.
- Install the batteries in the docking station (consult the Homeowners Guide for instructions if needed).
- Position the mounting bracket into docking station, which will be offset to the left.
- Slide the docking station to the right.
- Firmly push down on the docking station to fully seat the docking station onto the mounting bracket.
- To pair the remote control to the toilet, consult the Homeowners Guide.



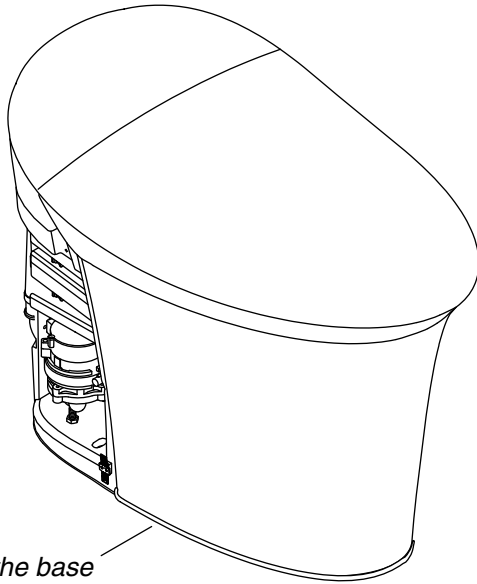
8. Check Operation



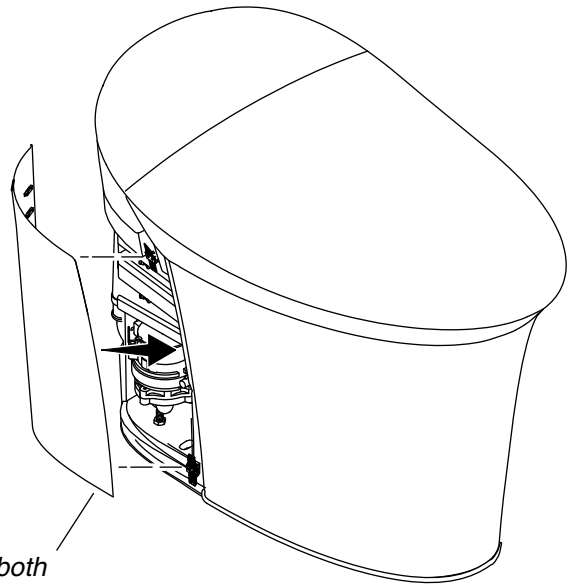
CAUTION: Risk of personal injury. Verify that the plug (if plug-in connection is used) and receptacle are dry. If any moisture is present, allow the area to dry before plugging the unit in.

- Plug the power cord into the GFCI* receptacle.
- Press the flush button on the side control panel to flush the toilet. Check for proper operation.
- Refer to the troubleshooting table in the Homeowners Guide if the toilet does not function properly.

*Outside North America, this device may be known as a Residual Current Device (RCD).



Caulk the base of the toilet.



Attach both access covers.

9. Complete the Installation

IMPORTANT! Do not install the access covers until the caulk has cured.

- Caulk around the base of toilet. Do not caulk the area where the access covers meet the floor.
- Attach the access covers.
- Confirm correct seat operation using the seat functions outlined in the Homeowners Guide.