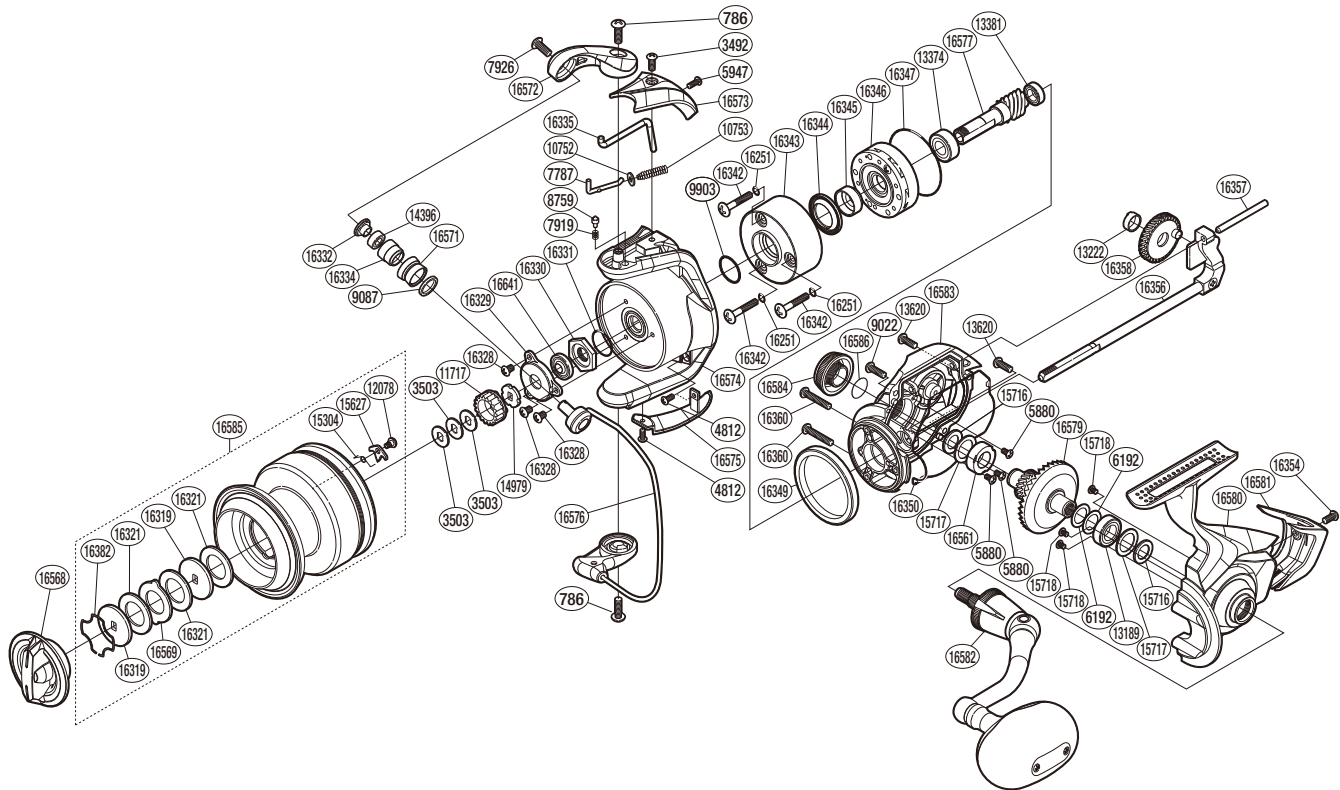


# SHIMANO

## SPHEROS S A-RB

## 14SP6000SW



Please note that the number of adjusting washers may not be the same as shown in the exploded views. (Adjustment will vary with each individual product.)

(51SD956004G)

Part No.	Description	Part No.	Description	Part No.	Description
RD 0786	Screw	RD15304	Drag Click Spring	RD16357	Oscillating Guide
RD 3492	Screw	RD15627	Drag Click	RD16358	Oscillating Gear
RD 3503	Spool Washer	RD15716	Bearing Water Proof	RD16360	Screw
RD 4812	Screw	RD15717	Washer	RD16382	Drag Washers Retainer
RD 5880	Screw	RD15718	Screw	RD16561	Drive Gear Bushing
RD 5947	Screw	RD16251	O Ring	RD16568	Drag Knob
RD 6192	Washer	RD16319	Key Washer	RD16569	Eared Washer
RD 7787	Bail Spring Guide A	RD16321	Drag Washer	RD16571	Line Roller
RD 7919	Click Spring	RD16328	Screw	RD16572	Bail Arm
RD 7926	Screw	RD16329	Nut Lock Plate	RD16573	Bail Spring Cover
RD 8759	Click Pin	RD16330	Rotor Nut	RD16574	Rotor
RD 9022	Screw	RD16331	O Ring	RD16575	Bail Hold Support Guard
RD 9087	Line Roller Spacer	RD16332	Line Roller Washer	RD16576	Bail Assembly
RD 9903	O Ring	RD16333	Line Roller Bushing	RD16577	Pinion Gear
RD10752	Spring Guide A Support	RD16334	Bail Trip Lever	RD16579	Drive Gear
RD10753	Bail Spring	RD16342	Screw	RD16580	Side Cover
RD11717	Spool Support A	RD16343	Roller Clutch Water Proof Cover	RD16581	Rear Protector
RD12078	Screw	RD16344	Roller Clutch Water Proof	RD16582	Handle Assembly
RD13189	Ball Bearing	RD16345	Rotor Ring	RD16583	Body
RD13222	Oscillating Gear Bushing	RD16346	Roller Clutch Assembly	RD16584	Handle Screw Cap
RD13374	Ball Bearing	RD16347	Roller Clutch Cover Seal	RD16585	Spool Assembly
RD13381	Ball Bearing	RD16349	Friction Ring	RD16586	O Ring
RD13620	Screw	RD16350	Body Seal	RD16641	Bearing Water Proof
RD14396	Ball Bearing	RD16354	Screw		
RD14979	Spool Support B	RD16356	Main Shaft Assembly		