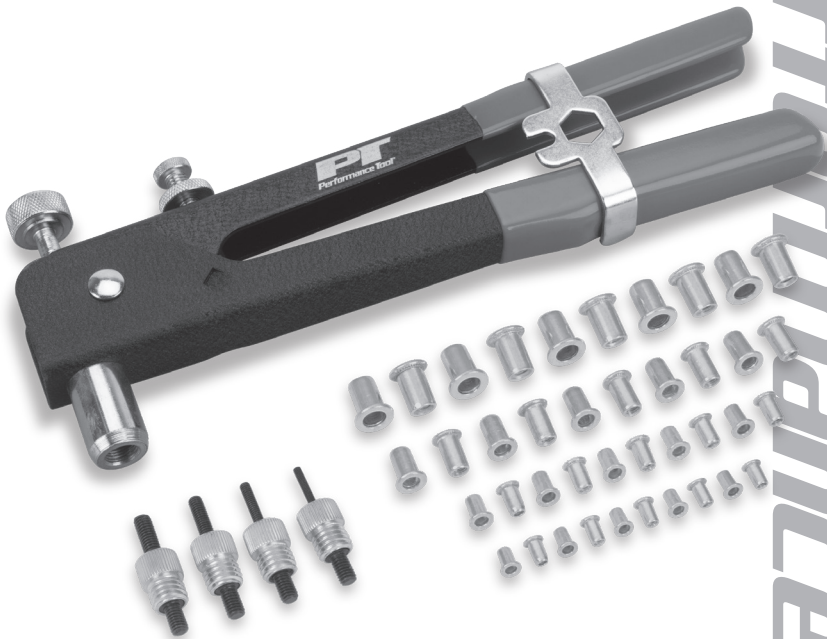


THREADED INSERT RIVETER

Item Number W2007

OWNER'S MANUAL



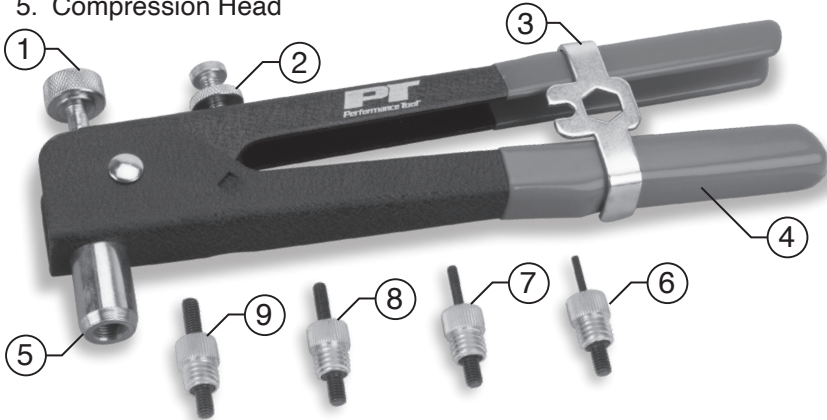
Performance Tool®

▲WARNING: READ, UNDERSTAND AND FOLLOW ALL INSTRUCTIONS AND WARNINGS BEFORE OPERATING THIS TOOL. FAILURE TO DO SO MAY RESULT IN PERSONAL INJURY AND/OR PROPERTY DAMAGE AND WILL VOID WARRANTY.

PT[®]
Performance Tool

TOOL FEATURES

1. Mandrel Adjusting Knob
2. Depth Screw
3. Wrench
4. Handles
5. Compression Head
6. 6-32 Mandrel & Nose Piece
7. 8-32 Mandrel & Nose Piece
8. 10-24 Mandrel & Nose Piece
9. 1/4-20 Mandrel & Nose Piece



SAFETY GUIDELINES / DEFINITIONS

This instruction manual is intended for your benefit. Please read and follow the safety, installation, maintenance and troubleshooting steps described within to ensure your safety and satisfaction. The contents of this instruction manual are based upon the latest product information available at the time of publication. The manufacturer reserves the right to make product changes at any time without notice.

▲WARNING: Read and understand this entire instruction manual before attempting to assemble, install, operate or maintain this product. Failure to comply with the instructions may result in serious personal injury and/or property damage!

The following signal words are used to emphasize safety warnings that must be followed when using this product:

▲DANGER: Indicates an imminently hazardous situation that, if not avoided, WILL result in death or serious injury.

▲CAUTION: Indicates a potentially hazardous situation that, if not avoided, MAY result in minor or moderate injury.

▲WARNING: Indicates a potentially hazardous situation that, if not avoided, COULD result in death or serious injury.

▲NOTE: Indicates important information, which if not followed, MAY cause damage to equipment.

UNPACKING AND INSPECTION

After opening the carton, unpack your new product and related parts and accessories. Please inspect it carefully for any damage that may have occurred during transit. Please check it against the photograph on carton. If any parts are missing, please call customer service at 1-800-497-0552 between 6 a.m. and 5 p.m. Pacific time.

▲WARNING: DO NOT operate this product if damaged during shipment, handling or misuse. Do not operate the product until the parts have been replaced or the fault rectified. Failure to do so may result in serious personal injury or property damage. All damaged parts must be repaired or replaced as needed prior to operating this product. Check to see that all nuts, bolts and fittings are secure before putting this product into service.

If you have any questions, or require assistance with damaged or missing parts, please contact our customer service department at 1-800-497-0552. Please have the serial number, model number, and date of purchase available for reference when calling.

GENERAL SAFETY

- Keep the area clean and well lit. Cluttered or dark areas can cause accidents.
- Be aware of what you are doing and use common sense while using the tool. Do not use a tool when you are tired or under the influence of drugs, alcohol or medication. A moment of distraction while using a tool can cause serious personal injury.

- Use safety equipment. Always wear eye protection. Safety equipment such as dust masks, non-slip safety shoes, helmets or ear protection used in appropriate conditions will reduce the risk of injury.
- Do not rush. Maintain proper footing and balance at all times. This allows better control of the tool in unexpected situations.
- Dress appropriately. Do not wear loose clothing or jewelry. Keep hair, clothing and gloves away from moving parts. Loose clothing, jewelry or long hair can get caught in moving parts.
- Keep the tool away from children and do not allow tool to be used by people who are not familiar with the operation of the tool. Tools are dangerous in the hands of inexperienced operators.
- Never use a tool other than for its intended purpose.

OPERATION

This threaded insert rivet kit is a great way to add backless attachment points anywhere you need them with just a single hole. This kit includes a rugged riveter, along with various sized mandrels and nose pieces, 40 assorted threaded insert rivets, a wrench, and a handy storage case.

1. Drill the recommended diameter hole, for the chosen threaded insert rivet, into the workpiece.

Rivet Size	Drill Bit Size
3 mm	5 mm
4 mm	6 mm
5 mm	7 mm
6 mm	9 mm



2. Select the matching mandrel and nose piece (6-9) from the kit.
3. While the handles (4) are held together with the wrench (3), screw the mandrel into the compression head (5). **NOTE: This is a left hand thread.**
4. Remove the wrench and tighten the mandrel snug. The wrench is designed to prevent over tightening.
5. Screw on the nose piece until snug, it may be easier if you hold the handles closed together.
6. With the handles released, screw on the threaded insert, flange end first.
7. Set the depth screw (2) to the desired depth.
8. Pass the threaded insert rivet thru the hole until the flange is flush with work piece. (Fig. 1)



9. Squeeze the riveters handles until the threaded insert rivet is installed firmly by forming a bulge against the back of the workpiece. You may need to set the depth adjustment screw to achieve this bulge. (Fig. 2)
10. Release the riveters handles fully and turn the mandrel adjusting knob (1) counter clockwise to remove the mandrel from the threaded insert rivet.

NOTE: A pilot test is always recommended before installing threaded inserts into the workpiece. This is done for the proper stop position providing the desired bulge in the insert.

11. Fasten your object by screwing a bolt or machine screw to the threaded insert rivet you installed. (Fig. 3)

CARE AND MAINTENANCE

CLEANING

1. Keep the tool as clean (dust free) as possible. Clean the tool with a clean cloth or clean with compressed air at low pressure.
2. We recommend cleaning the tool directly after each use.
3. Clean the tool regularly with a damp cloth and a little soap. Do not use any cleaner or detergent, they can damage the rubber parts of the tool.

ADDITIONAL RIVET-NUTS AVAILABLE:

120 PC METRIC Threaded Rivet Assortment W5252

LIMITED WARRANTY

PERFORMANCE TOOL® extends only the following warranties, and only to original retail purchasers. These warranties give specific legal rights. Except where prohibited by local law, the law of the State of Washington governs all warranties and all exclusions and limitations of warranties and remedies. There may be other rights which vary from state to state.

PERFORMANCE TOOL® warrants the product to be free from defects in materials and workmanship under normal use and service. A defective product may be returned for a free replacement within 90 days from the date of purchase, provided that product is returned to place of purchase immediately after discovery of defect. After 90 days PERFORMANCE TOOL® will replace at no charge any parts which our examination shall disclose to be defective and under warranty. These warranties shall be valid only when a sales receipt showing the date of purchase accompanies the defective product or defective part (s) being returned. For part (s) after 90 days, please remit your request, postage prepaid to:

PERFORMANCE TOOL, P.O. Box 88259 Tukwila, WA 98138

These warranties exclude blades, bits, punches, dies, bulbs, fuses, hoses, and other consumables which must be replaced under normal use and service. These warranties shall not apply to any product or part which is used for a purpose for which it is not designed, or which has been repaired or altered in any way so as to affect adversely its performance or reliability, nor shall these warranties apply to any product or part which has been subject to misuse, neglect, accident or wear and tear incident to normal use and service.

PERFORMANCE TOOL® does not authorize any other person to make any warranty or to assume any liability in connection with its products.

Except for warranties of title and the limited express warranties set forth above, PERFORMANCE TOOL® makes no express or implied warranties of any kind with respect to its products. In particular, PERFORMANCE TOOL® makes no implied warranty of merchantability and no implied warranty of fitness for any particular purpose, except that for goods purchased primarily for personal, family or household use and not for commercial or business use, PERFORMANCE TOOL® makes an implied warranty of merchantability (and, if otherwise applicable, an implied warranty of fitness for a particular purpose), but only for the particular qualities or characteristics, and for the duration, expressly warranted above.

The laws on limitation of implied warranties may differ from state to state, so the above limitations may not apply in all cases.

PERFORMANCE TOOL® shall not be liable for consequential, incidental or special damages resulting from or in any manner related to any product, or to the design, use, or any inability to use the product. The sole and exclusive remedy for a defective product or part shall be the repair, or replacement thereof as provided above. The laws on limitation of remedies or on consequential, incidental or special damages may vary from state to state, so the above limitations may not apply in all cases.