



INSTALLATION AND OWNER'S INSTRUCTIONS

Junior Wall-Mounted Systems

**36" Junior
Wall Mount**



800.362.4625
www.goalsetter.com



This manual explains the proper installation, operation and maintenance of your Goalsetter Goal. Study and understand these instructions thoroughly before installing or operating the goal. Failure to do so could result in serious injury or death and/or equipment damage. Consult your Goalsetter dealer or Goalsetter Systems, Inc. if you do not understand the instructions in this manual or need additional information.

Goalsetter Systems, Inc. recommends that you retain this manual for future reference of operation, maintenance and parts information.

The instructions, illustrations and specifications in this manual are based on the latest information available at the time of publication. Your goal may have product improvements and options not yet contained in this manual.

Goalsetter Systems, Inc. reserves the right to make changes at any time without notice or obligation.

Additional copies of these instructions are available from Goalsetter Systems, Inc.

GOALSETTER® and **GOALSETTER BASKETBALL** logo are registered trademarks of Goalsetter Systems, Inc. in the United States. **GOALSETTER SYSTEMS™** and **BEST IN BASKETBALL™** are trademarks of Goalsetter Systems, Inc.

This product is covered by various U.S. and Canadian patents, including U.S. Patent #5,211,393. Patent infringement will be prosecuted.

No part of this manual may be reproduced in any form or by any means electronic or mechanical, including photocopying, recording, or by any information storage and retrieval systems without the express written consent of Goalsetter Systems, Inc.

Copyright 2006.
All rights reserved.
Revised 1/2015
GS IM330ZC

Questions? Comments? Contact Us:
Phone: 800.362.4625 • Fax: 641.594.3343
Email: info@goalsetter.com
www.goalsetter.com

THANK YOU!

Thank you and congratulations for purchasing a Goalsetter Goal – the finest basketball goal system on the market today! You will discover that Goalsetter is unsurpassed in product innovation, quality and integrity in the basketball equipment industry. We are continually focused on designing, engineering and producing products that meet and exceed the expectations of today’s toughest playing environments and demanding players.

Our commitment is to all those who want to play the game of basketball – to be able to train at whatever level they are at and then shoot for the stars. We are also committed to you, our customer, long after the sale has been made. Please contact us if you have any concerns, questions or suggestions regarding our products. Again, we are honored that you have purchased our goal system and we look forward to helping you with your game in the years ahead.

TABLE OF CONTENTS

Contact Information	2
Safety Instructions	4
Goal Assembly	5
Goal Specifications	5
Required Tools and Materials	5
Parts List	6
Hardware Identification	7
Frame Attachment	8
Rim Attachment	9
Frame Assembly	10
Cleaning and Maintenance	11
Cleaning	11
Maintenance	11
Warranties	12

SAFETY INSTRUCTIONS

Failure to follow these safety instructions may result in serious injury or death and/or property damage.

- Do not install or use this product unless the instructions within this manual have been carefully read and understood.
- Consult your Goalsetter dealer or Goalsetter Systems, Inc. if you do not understand the instructions in this manual or need additional information.
- If using a ladder during assembly, use extreme caution. Two or three people are recommended for safe installation and assembly.
- Installation and assembly of this product will require lifting and bending that may result in injury to anyone not accustomed to this type of activity.
- Ensure there are no overhead power lines within a 20 ft. (7 m.) radius of the goal location.
- Climate, corrosion or misuse could result in system failure.
- If the unit is installed with the rim at a 6'-0" playing height, the minimum operational height will be 5'-4" (1.9 m) to the bottom of the backboard.
- DO NOT HANG on the rim or any part of the goal system. This includes the backboard, support braces or net.
- During play, especially when performing dunking activities, keep the player's face away from the backboard, rim and net. Serious injury could result if teeth/face come in contact with the backboard, rim or net. Do not wear jewelry or other loose objects that could become entangled in the net.
- Twice yearly, check the goal system for loose hardware, excessive wear and signs of corrosion. Repair the system before use.
- Never play on damaged equipment.

WARNING

FAILURE TO FOLLOW THESE WARNINGS MAY RESULT IN SERIOUS INJURY AND/OR PROPERTY DAMAGE.

Owner must ensure that all players know and follow these rules for safe operation of the system.

- DO NOT REMOVE OR COVER THIS WARNING LABEL.
- DO NOT HANG on the rim or any part of system including backboard, support braces or net.
- During play, especially when performing dunk type activities, keep player's face away from the backboard, rim and net. Serious injury could occur if teeth/face come in contact with backboard, rim or net.
- Do not slide, climb or play on pole.
- Do not allow young children to adjust system.
- During play, do not wear jewelry (rings, watches, necklaces, etc.). Objects may entangle in net.
- Keep organic material away from pole base. Grass, litter, etc. could cause corrosion and/or deterioration.
- Check pole system for signs of corrosion (rust, pitting, chipping) and repair with exterior enamel paint. If rust has penetrated through the steel anywhere, replace pole immediately.
- Check system before each use for loose hardware, excessive wear and signs of corrosion and repair before use.
- Never play on damaged equipment.

GOALSETTER SYSTEMS, INC.

1-800-362-4625

SAFETY INSTRUCTIONS

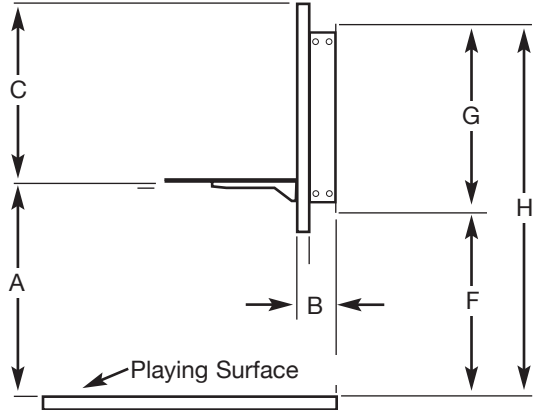
FAILURE TO FOLLOW THESE SAFETY INSTRUCTIONS MAY RESULT IN SERIOUS INJURY AND/OR PROPERTY DAMAGE.

- If using a ladder during assembly, use extreme caution. 2-3 people are recommended for safe installation and assembly.
- Before digging, contact utility company to locate under ground power cables, gas and water lines.
- Ensure there are no overhead power lines within 20 ft. (7m) radius of pole location.
- Climate, corrosion or misuse could result in system failure.
- If technical assistance is required, contact the manufacturer.
- Minimum operational height in 6'6" (1.98m) to the bottom of backboard.
- Installation and assembly will require lifting and bending that may result in injury to persons not accustomed to this type of activity.

Most injuries are caused by misuse and/or not following instructions. Use caution when using this system.

GOAL SPECIFICATIONS

Backboard Size	25" x 36"
Weight With Glass	36 lbs.
Height Range (A)	6'
Extension Distance (B)	5-3/4"
Rim To Top-Of-Goal Distance (C)	20"
Bottom Of Frame Height (F)	69-1/8"
Frame Size (G)	15"
Top Of Frame Height (H)	84-1/8"



GOAL ASSEMBLY

Goalsetter Systems cannot assume liability for the installation of any wall-mounted structure. Goalsetter Systems recommends consulting a professional architect or contractor to determine a safe wall anchoring system to match the wall construction being used in your application.

IMPORTANT: Safe assembly of the goal requires two to three people in good physical condition and capable of lifting 80-100 lbs (36-45 kg) each.

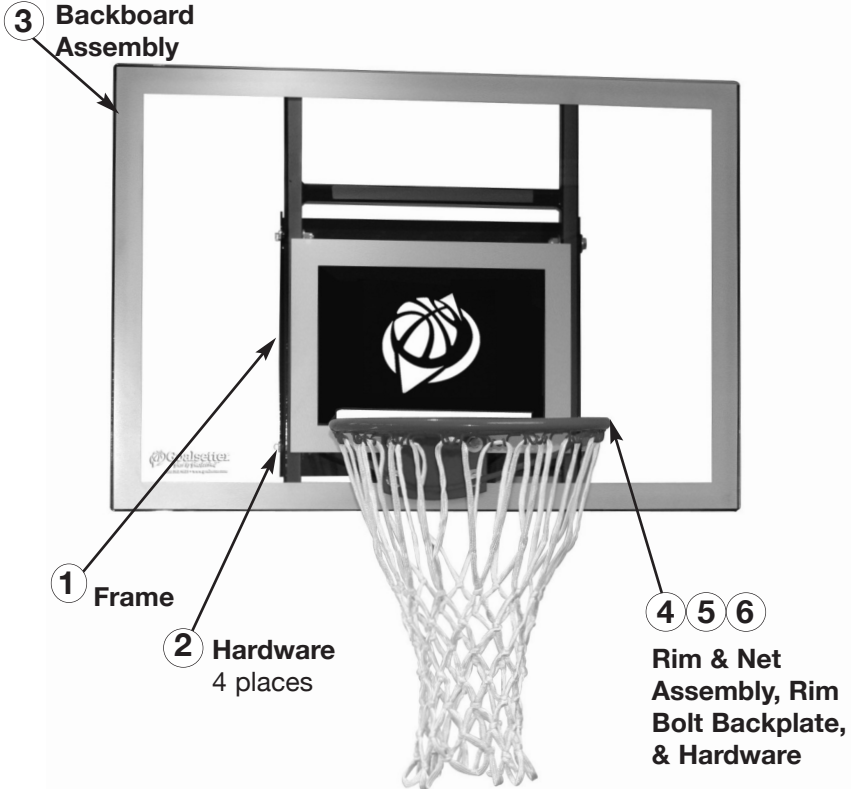
IMPORTANT: Locate and familiarize yourself with all parts of the goal before beginning assembly.

NOTE: The type of wall fasteners and drill bits required are determined and provided by the customer and/or installer.

Required Tools and Materials

Level	Ratchet	9/16" Wrench
Rubber Mallet	Socket Extension	Wall Fasteners (not included)
12' Tape Measure	9/16" Socket	Drill and Drill Bits (masonry if necessary)

PARTS LIST & DESCRIPTION – JUNIOR WALL MOUNT

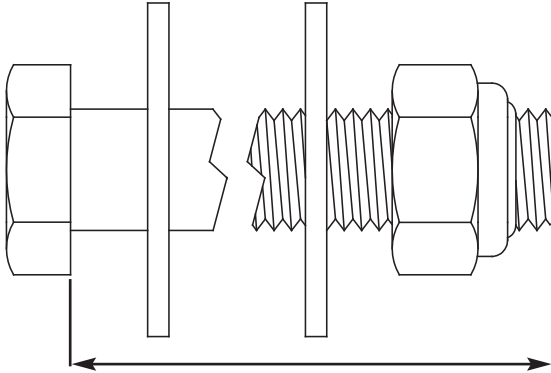


REF	MINI WALL MOUNT	DESCRIPTION
1	1	Frame
2a	4	Bolt, 3/8"-16 UNC x 1-1/4"
2b	8	Flat Washer, 3/8"
2c	4	Locknut, 3/8" UNC
3	1	Backboard Assembly, 25" x 36"
4	1	Rim and Net Assembly
5a	4	Bolt, 3/8"-16 UNC x 2"
5b	8	Flat Washer, 3/8"
5c	4	Lock Washer, 3/8"
5d	4	Nut, 3/8"-16 UNC

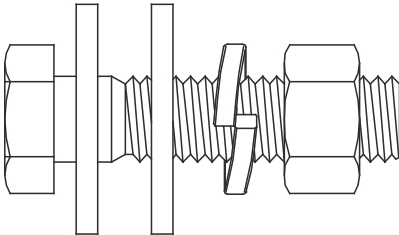
NOTE: Refer to page 7 for hardware descriptions.

HARDWARE IDENTIFICATION

NOTE: Refer to page 6 for descriptions and quantities.



Description	Parts List Callout	Length
Mounting Bolt (at backboard)	#2	1-1/4"



Rim Bolt Assembly
(#5 in Parts List)



Black Touch-Up Paint

FRAME ATTACHMENT



IMPORTANT: Safe assembly of the goal requires two or three people in good physical condition and capable of lifting 80-100 lbs (36-45 kg) each.

Step 1: Unpack frame.

Step 2: Determine where to place frame on mounting surface.

Step 3: Goal can be mounted at any height preferred. To mount at a rim height of 6', draw a horizontal line on the mounting surface 69-1/8" up from playing surface.

Step 4: Position frame ① on wall with bottom of frame centered on drawn line ②.

Step 5: Level frame horizontally and vertically using a level. Mark wall mounting holes needed for attachment of frame. (To be determined by customer and/or installer.)

Step 6: Set frame down.

Step 7: Drill holes as needed in mounting surface.

Step 8: Loosely attach frame to wall using correct fasteners. (To be determined by customer and/or installer.) Level frame horizontally and vertically using a level.

Step 9: Fully tighten fasteners.

RIM ATTACHMENT

Step 1: Remove any cardboard edge protectors and protective sheeting from backboard.

NOTE: Four steel shouldered bushings ① are factory installed. If loose, make sure to have them seated properly when tightening rim bolts. If missing, contact Goalsetter or dealer to get replacements. **DO NOT install rim without bushings.**

IMPORTANT: Correct sequence of hardware installation **MUST** be followed during assembly.

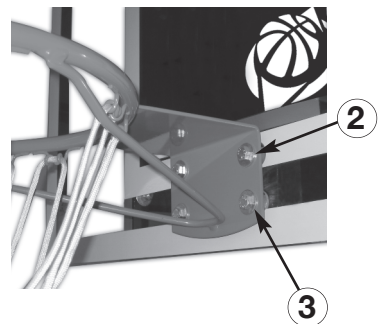
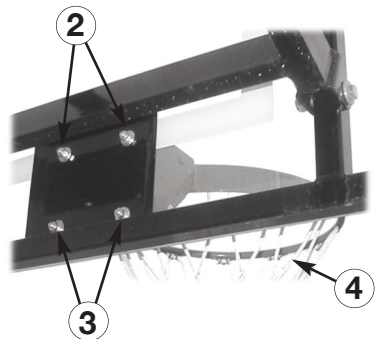
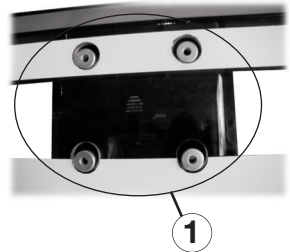
Step 2: Loosely attach rim ④ to backboard through top mounting holes ② with two 3/8" x 2" bolts, four flat washers, two lock washers and two nuts. Snug tighten hardware – a 9/16" open-end wrench may be necessary. **NOTE: Attach rim to backboard before mounting backboard to mounting bracket on wall.**

Hardware Sequence: Bolt passes through flat washer - rim backplate - backboard bushing - backboard mounting plate - flat washer - lock washer - nut.

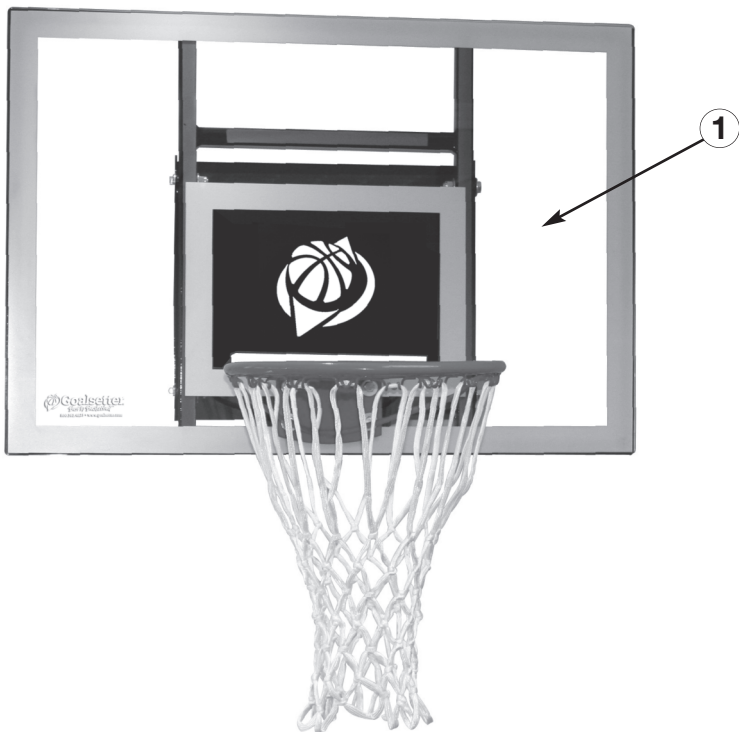
Step 3: Repeat procedure outlined in Step 2 for lower rim mounting holes ③.

Step 4: Level rim side to side and then fully tighten hardware.

Step 5: Attach net to rim.



FRAME ASSEMBLY



IMPORTANT: Use two or more people to raise backboard into position. They should be in good physical condition and capable of lifting 80-100 lb (36-45 kg).

IMPORTANT: Rim should already be attached to backboard.

Step 1: Lift backboard ① into position and attach to mounting plates.

- Make sure backboard frame is between the mounting plates.

- Attach with four 3/8" x 1-1/4" bolts (#2 in parts list), eight flat washers and four locknuts – do not fully tighten.

Hardware Sequence: Bolt passes through flat washer - mounting plate - frame flange - flat washer - locknut.

Step 2: Fully tighten all fasteners.

CLEANING

The exterior finish of your Goalsetter goal is designed for outdoor environments and should only require periodic cleaning and inspection for imperfections that could develop over time (see *Maintenance* section).

When cleaning is necessary, Goalsetter recommends using water and a mild dish detergent applied with a soft, non-abrasive cloth.

IMPORTANT: DO NOT use abrasive cleaners to clean the goal. Damage to the finish may result.

MAINTENANCE

Goalsetter uses a two-part acrylic-enamel paint on our goals. With periodic inspection and service when needed, the high-gloss finish is designed to last for many years. A small bottle of black paint with brush is provided with every goal for touch up of imperfections as they develop and can be found in the hardware kit.

If more touch up is required, please contact Goalsetter Systems, Inc. or your local Goalsetter Dealer.



WARRANTIES

IMPORTANT

Enclosed underneath the protective sheeting on your backboard is a warranty registration card. **YOU MUST FILL OUT AND MAIL IN THIS CARD IN ORDER TO HAVE A VALID WARRANTY.** You may also fill out a warranty registration online at www.goalsetter.com.

LIMITED WARRANTY

LIMITED LIFETIME WARRANTY: Subject to proper installation and normal, intended use, and subject to the limitations set forth below, Goalsetter Systems, Inc. warrants to the original retail purchaser that all structural components of Goalsetter Systems™ Signature Series*, Extreme Series** and GS Wall Mount Series*** basketball systems are free of defects in material and workmanship for the duration of ownership by such original retail purchaser or five (5) years after discontinuation of the product by Goalsetter Systems, Inc..

*Signature Series – MVP, Captain, All-American, All-Star, Contender, Champion;

**Extreme Series – X672, X660, X560, X554, X454, X448;

***GS Wall Mount Series – GS72 Wall Mount, GS60 Wall Mount, GS54 Wall Mount, GS48 Wall Mount

LIMITED WARRANTY: Subject to proper installation and normal, intended use, and subject to the limitations set forth below, Goalsetter Systems, Inc. warrants to the original retail purchaser that all structural components of (a) Goalsetter Systems™ Tournament Series Elite Plus and GS Baseline Wall Mount Series* basketball systems are free of defects in material and workmanship for a time period of five (5) years from date of purchase (b) Goalsetter Systems™ Junior MVP and GS Junior Wall Mount basketball systems are covered for a time period of two (2) years from date of purchase.

*GS Baseline Wall Mount Series – GS72 Baseline, GS60 Baseline, GS54 Baseline

Any warranty on a basketball system excludes the rim. Rim warranties are as follows: Rims shall be free from defects in materials and workmanship from the date of purchase as follows: R10126 Single Ring Static Rim: one (1) year limited warranty; R10226 Double Ring Static Rim: unconditional lifetime warranty; R10326 HD Breakaway Rim: two (2) year limited warranty; R10554 GS Collegiate Breakaway Rim: one (1) year limited warranty.

Padding Warranty: Padding shall be free from defects in materials and workmanship from the date of purchase as follows: Multi-Purpose Backboard Edge Padding: one-year limited warranty; Custom Fitted Pole Padding: one-year limited warranty; Wrap Around Pole Padding: one-year limited warranty.

The Limited Lifetime Warranty and the Limited Warranty shall cover damage or failure that occurs during the course of **NORMAL** or **INTENDED USE** of the product. Normal or intended use shall be described as activity that is necessary for the participation in the sport for which the equipment is designed. **NOT COVERED** is damage caused by deliberate hanging, multiple player hanging, vandalism, non-basketball activities or any other activity that could be regarded as abusive. Goalsetter Systems™ Junior MVP and GS Junior Wall Mount warranty voided if damage caused by the act of dunking.

A limited lifetime warranty is effective for the duration of ownership by the original retail purchaser or 5 years after discontinuation of the product by Goalsetter Systems, Inc.

Goalsetter Systems, Inc. shall have the right to require the purchaser to deliver at its expense the allegedly defective product to Goalsetter for testing, repair or replacement. Goalsetter shall not be responsible for any expenses associated with the replacement or removal of the product from its application for such delivery.

THE WARRANTY IS VOID IF THE PRODUCT HAS BEEN DAMAGED BY ACCIDENT, USE FOR PURPOSES FOR WHICH IT IS NOT INTENDED, AS THE RESULT OF IMPROPER INSTALLATION, FAILURE TO FOLLOW INSTALLATION, CARE OR MAINTENANCE INSTRUCTIONS PROVIDED WITH THE PRODUCT, USE OF PARTS NOT PROVIDED BY GOALSETTER SYSTEMS OR ANY MODIFICATION OF ANY PRODUCT BY THE CUSTOMER UNLESS APPROVED BY GOALSETTER SYSTEMS, INC., OR OTHER CAUSES NOT ARISING OUT OF DEFECTS IN MATERIALS OR WORKMANSHIP.

The sole obligation of Goalsetter Systems, Inc., and the exclusive remedy under the applicable warranty, is repair or replacement of any component part determined by Goalsetter Systems, Inc. to be defective and covered by the warranty. Goalsetter Systems, Inc. will not be liable for any other damages or expenses. The applicable warranty is expressly in lieu of all other warranties, express or implied. Goalsetter Systems, Inc. does not assume, and no other person or representative is authorized to assume for Goalsetter Systems, Inc. any other liability in connection with the sale of Goalsetter System™ products.

NOT COVERED BY WARRANTY

- Use in non-residential applications of Glass backboards on Signature Series systems.
- Use in non-residential applications of Extreme Series and Tournament Series complete systems.
- Any products subjected to abuse, negligence, improper installation, vandalism, acts of God, alteration of product and any other events beyond the control of Goalsetter Systems, Inc.
- Junior Series breakage caused by the act of dunking.
- Paint or rusted parts. Touch-up paint is included in all hardware kits.
- Deterioration of product due to time or wear and tear.

Normal deterioration of products due to atmospheric conditions, weather, wear and tear (including scratching or scuffing paint from normal use), or other causes that do not affect functional use are not covered by Goalsetter Systems, Inc. warranties. All warranties are valid only when product is used in the intended application & when installed according to Goalsetter Systems instructions. Warranty may be void if maintenance instructions in the Owner's Manual are not followed. If you did not receive an Owners Manual, please call 1-800-362-4625 and one will be mailed to you.

DISCLAIMERS: THE APPLICABLE WARRANTY IS EXPRESSLY IN LIEU OF ALL OTHER WARRANTIES, EXPRESS OR IMPLIED, AND ALL OTHER WARRANTIES ARE HEREBY DISCLAIMED, INCLUDING BUT NOT LIMITED TO THE IMPLIED WARRANTIES OF MERCHANTABILITY AND FITNESS FOR A PARTICULAR PURPOSE. UNDER NO CIRCUMSTANCES SHALL GOALSETTER SYSTEMS, INC. BE LIABLE FOR ANY INDIRECT, CONSEQUENTIAL, SPECIAL, INCIDENTAL, PUNITIVE, OR EXEMPLARY DAMAGES OF ANY KIND.

THE PRODUCT IS INTENDED TO BE USED TO PLAY THE SPORT OF BASKETBALL. ALL SPORTS INVOLVE RISK OF INJURY. THE USER ASSUMES ALL RISK OF INJURY RESULTING FROM THE USE OF THIS PRODUCT. ALL PRODUCTS ARE SOLD ON THIS CONDITION AND NO REPRESENTATIVE OF THE COMPANY MAY WAIVE OR CHANGE THIS POLICY.

Some states do not allow the exclusion or limitation of implied warranties or consequential or incidental damages, so the above limitations or exclusions may not apply to you.

LEGAL REMEDIES: This warranty gives you specific legal rights, and you may also have other rights which may vary from state to state.

WARRANTY CLAIMS: All returns must be arranged through the Goalsetter Systems, Inc. dealer where the product was originally purchased. Warranties do not cover dealer service charges, labor charges, freight charges, and travel expenses associated with replacement, repair or removal of warranty items. Photos of the damaged product prior to any repair or clean-up actions must clearly show and permit analysis of the damaged product by Goalsetter Systems, Inc. A Goalsetter® Warranty Claim form must be completed, and photos submitted, together with proof of purchase, for any item you wish to claim under warranty. If the purchase was not made through a dealer, this form is available by email, fax or mail. In response to your claim, you will receive an order confirmation as well as a notice stating whether Goalsetter Systems, Inc. needs your warranty item returned. Goalsetter Systems, Inc. will notify you by fax or phone if we determine that the item cannot be claimed under warranty. **Goalsetter Systems, Inc. is not responsible for any charges for labor to install or repair defective product without prior authorization. Goalsetter Systems, Inc. will determine the most economical method to either repair or replace product before any work is to commence.**