



Project Name: _____

Location: _____

Item #: _____ Qty: _____

Model: _____

PIZZA PREP TABLES

MODEL: GRPZ-2D GRPZ-3D



GRPZ-2D



GRPZ-3D

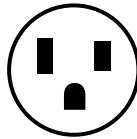
Grista's Pizza Prep Tables are constructed of heavy duty stainless steel making them strong and durable enough to survive in any kitchen environment. Store all of your toppings in the refrigerated pan rail that can hold a variety of different sized food pans up to 6" deep. The hinged insulated cover keeps the toppings cold when not in use. Store additional items below in the cabinet for quick access when needed. All pizza prep tables come with 4" casters, plastic coated wire shelving and a 19" extra deep, 3/4" thick polyethylene cutting board. These models are ETL Listed and ETL Sanitation. They are backed with a 2 year warranty on parts and labor and a 5 year warranty on the compressor.

FEATURES AND CONSTRUCTION

- 430 series stainless steel exterior
- Painted aluminum interior
- Environmentally-friendly R290 refrigerant
- Precise digital temperature controller with LED display
- 19" extra deep, 3/4" thick polyethylene cutting board
- Foamed-in-place polyurethane high density cell insulation throughout the entire cabinet
- Hinged insulated lid
- Removable door gasket
- Recessed door handles
- Plastic coated steel shelving
- (4) 4" casters (2 locking and 2 non-locking)

ELECTRIC

115V / 60Hz / 1Ph
7' (2.1m) NEMA 5-15P cord set included



NEMA 5-15P

NOMINAL STORAGE CAPACITY

GRPZ-2D	16.9 Cu Ft (479 L)
GRPZ-3D	24 Cu Ft (680 L)

3RD PARTY APPROVALS



Intertek



Intertek

TEMPERATURE

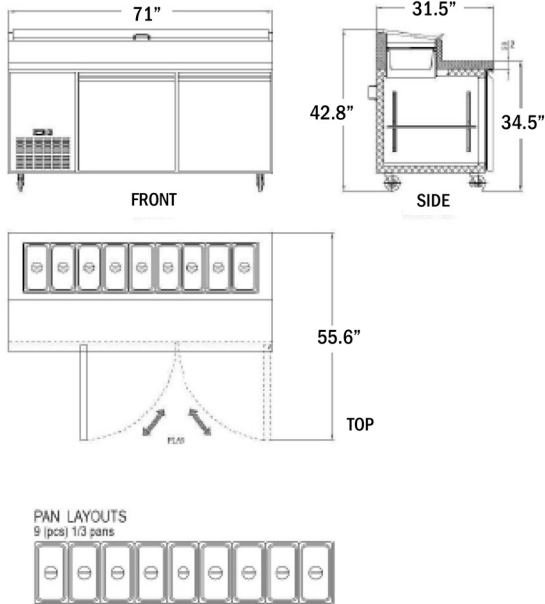
Holding Temperature 33°F to 41°F (1°C to 5°C)

- These models are designed to operate in an environment where temperature and humidity do not exceed 75°F (24°C) and 55% relative humidity

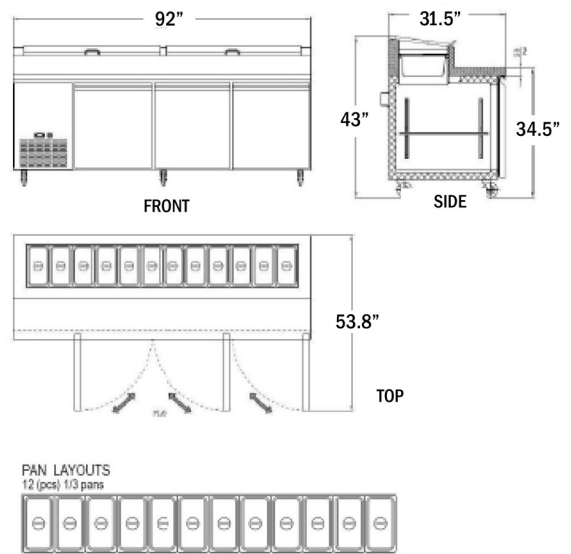
GRISTA WARRANTY (USA / CANADA)

Contact Admiral Craft for warranty statement at info@admiralcraft.com or 516.433.3535

GRPZ-2D



GRPZ-3D



Model Number	GRPZ-2D	GRPZ-3D
Doors	2	2
Shelves	2	3
Net Volume (Cu. Ft.)	16.9 Cu. Ft	24 Cu. Ft
Overall Dimensions (in)	71"L × 32"W × 43"H	92"L × 31.5"W × 43"H
Interior Dimensions (in)	48.5"L × 23"W × 26"H	69.5"L × 23"W × 26"H
Horsepower	1/5	1/4+
Refrigerant	R290	R290
Voltage/Hertz/Phase	115/60/1	115/60/1
Amps	4.9	7.2
Net Weight (lbs)	431 lbs	565 lbs
Gross Weight (lbs)	563 lbs	719 lbs
Shipping Dimensions (in)	76"L × 36"W × 46"H	97"L × 36"W × 46"H