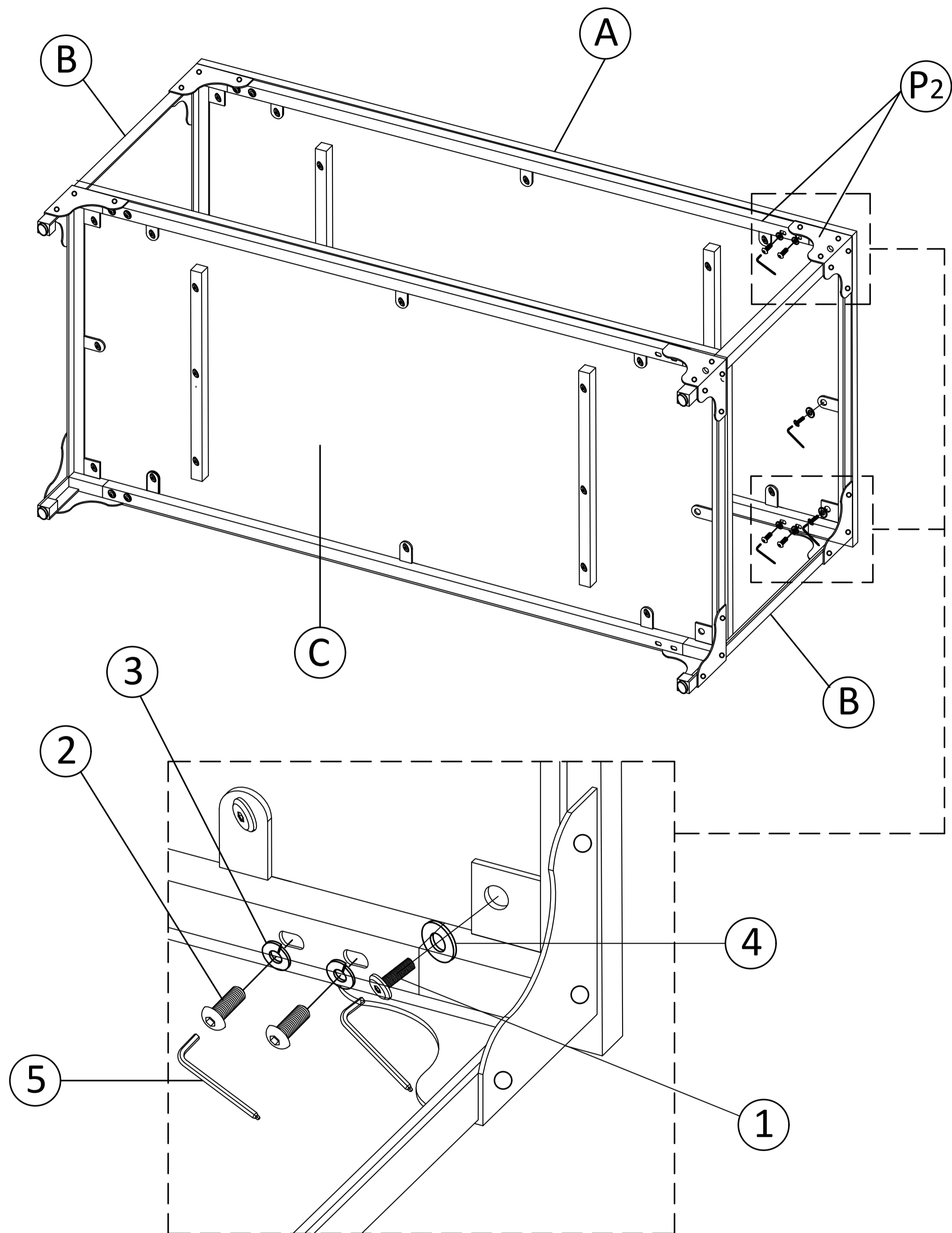
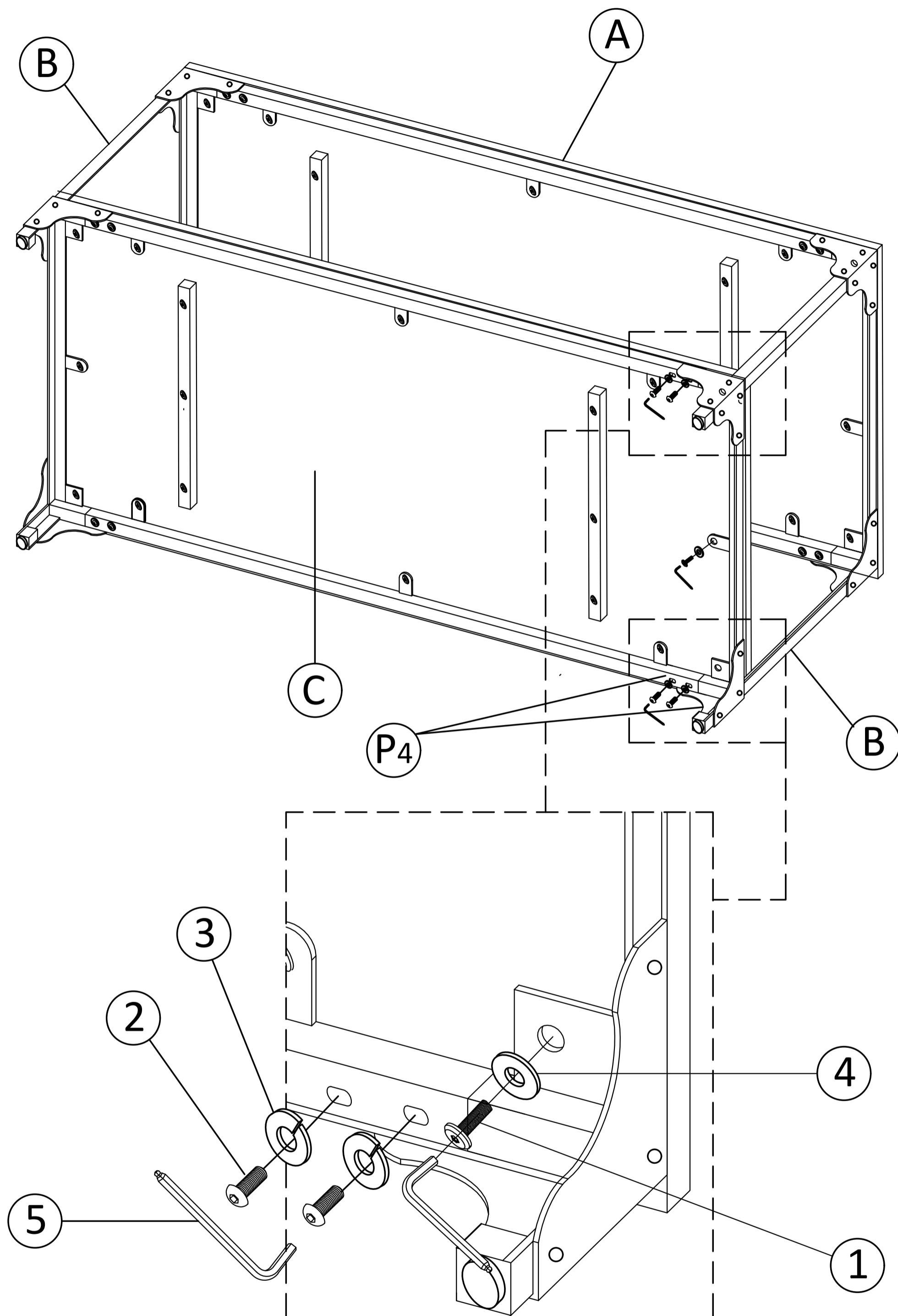


STEP 4



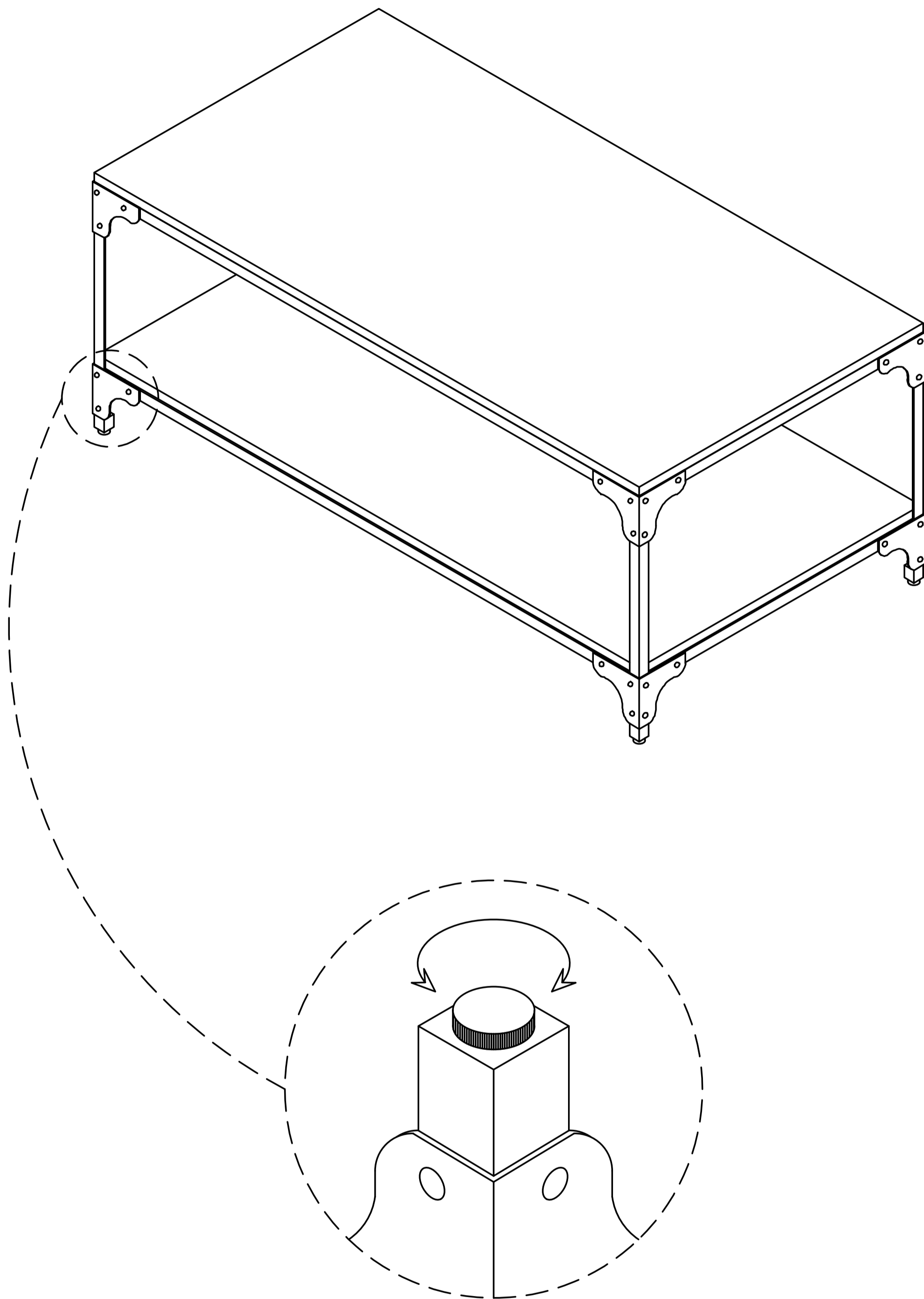
1. Align Leg (B) to Top (A) by matching the letters (P₂) to (P₂).
2. Use four Allen Key Bolts (2) and four Lock Washers (3) to attach Top (A) and Leg (B) (front and back of Leg).
3. Use three Allen Key Bolts (1) and three Washers (4) to secure Top (A) and Leg (B) (middle of Leg).
4. Use Allen Key (5) to tighten Bolts. Do not over tighten.

STEP 5



1. Align Leg (B) to Bottom Shelf (C) by matching the letters (P₄) to (P₄).
2. Use four Allen Key Bolts (2) and four Lock Washers (3) to attach Bottom shelf (C) and Leg (B) (front and back of Leg).
3. Use three Allen Key Bolts (1) and three Washers (4) to secure Top (A) and Leg (B) (middle of Leg).
4. Use Allen Key (5) to tighten Bolts. Do not over tighten.

STEP 6



Note: Levelers on bottom of legs can be adjusted if floor is uneven.

SIMPLIHOME™
— LIFE BY DESIGN —

WyndenHall™
HOME DECOR
brooklyn + max™

WARRANTY

Thank you for purchasing a **Simpli Home – Wyndenhall – Brooklyn + Max** product. These products have been made to demanding, high-quality standards and are guaranteed for domestic use against manufacturing faults for a period of 12 months from the date of purchase. This warranty does not affect your statutory rights.

In case of any malfunction of your product (failure, missing parts, etc.) please contact us at our toll free service line at 1-866-518-0120 ext. 262 from 9 am to 4 pm, Monday to Friday, Eastern Standard Time or by email at simpli-home.com/customer-support.

We reserve the right to repair or replace the defective product, at its discretion.

This product is guaranteed for 12 months if used for normal purposes. Any warranty is invalid if the product has been overloaded or subject to neglect, improper use or an attempted repair by other than an authorized agent. Heavy-duty or daily professional/commercial usage are not guaranteed.

Due to continuous product improvement, we reserve the right to change the product specifications without prior notice.