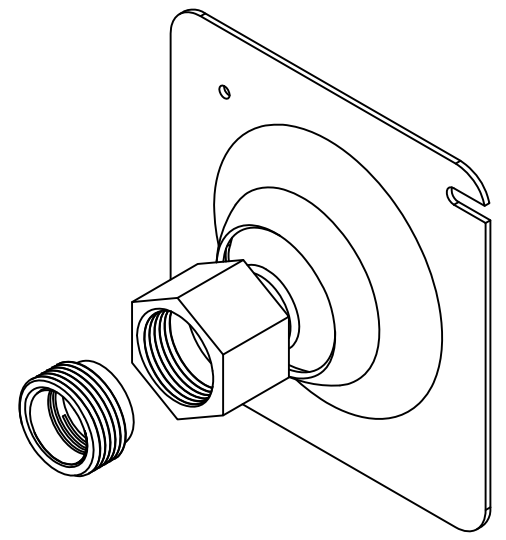
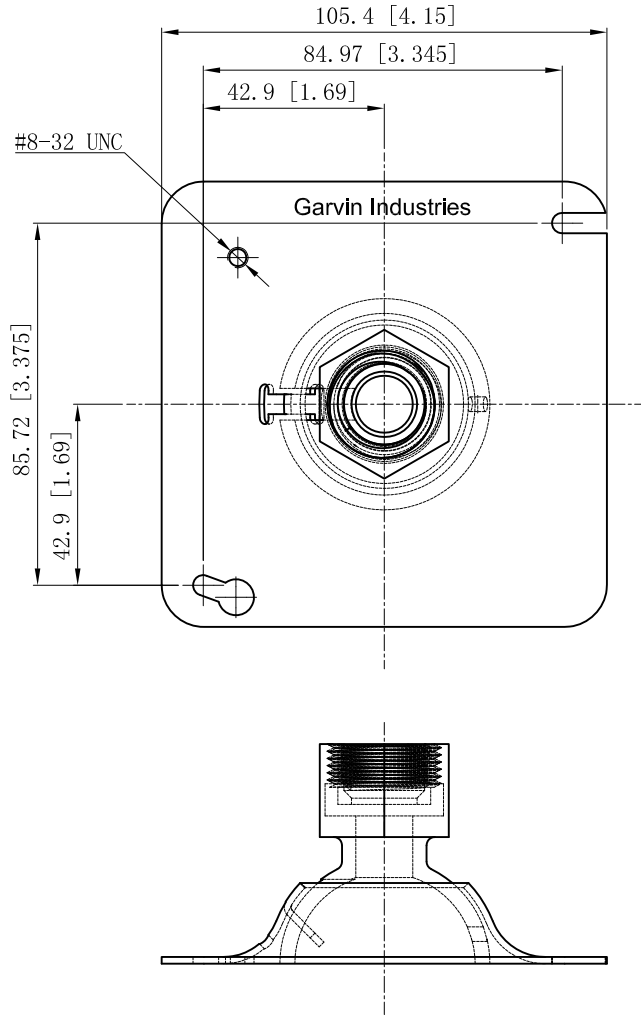
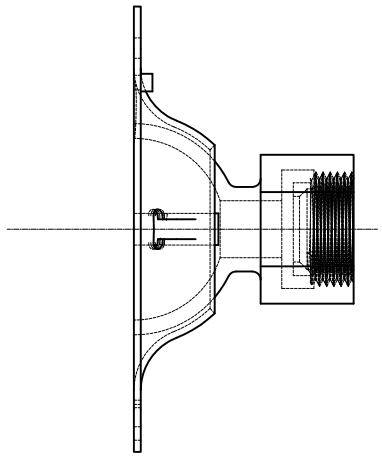


SIDES	BOTTOM
Material:Steel-0.055"- Stainless steel 304	



DESCRIPTION
TRADE REFERENCE TERMS

This data sheet is for reference only .GARVIN INDUSTRIES reserves the right to make changes to the design without prior notice.

STANDARD PACKING

TITLE			REV
GARVIN INDUSTRIES			
4" SQ. SWIVEL FIXTURE			A
SIZE	DWG NO.		
A4	SC-50-VTSS		
DATA SHEET			