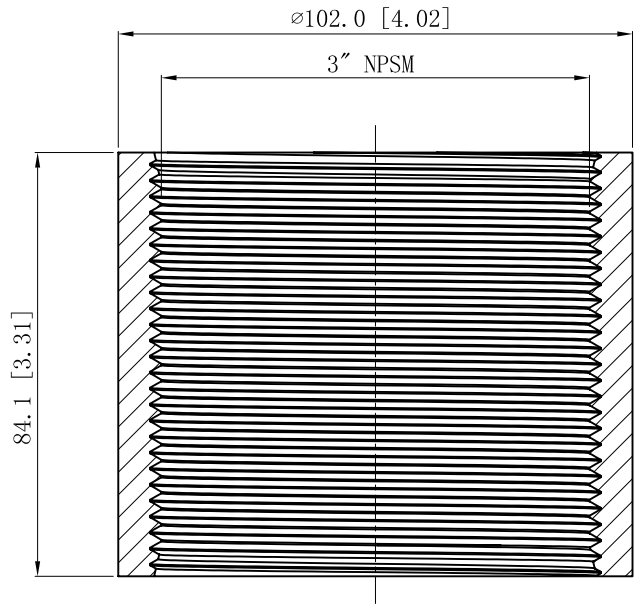
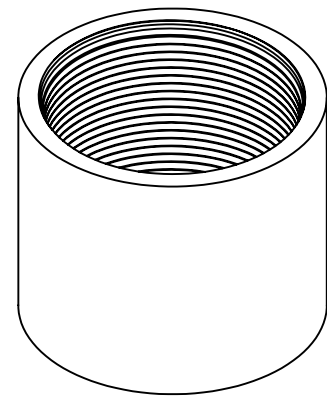
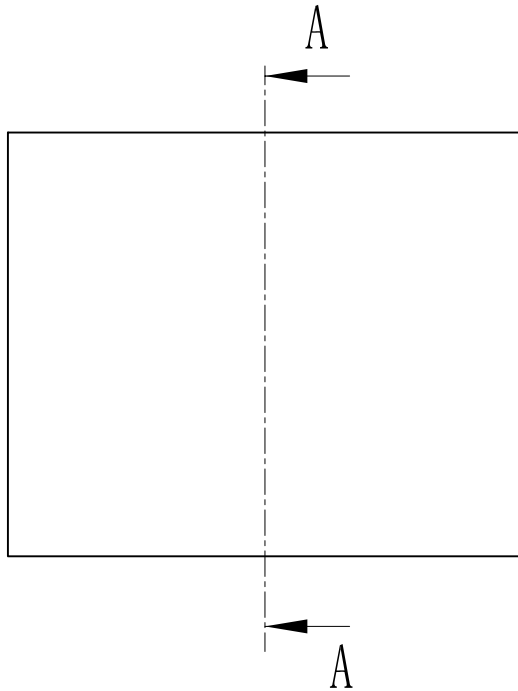


|   |        |
|---|--------|
| SIDES                                     | BOTTOM |
|   |        |
|   |        |
|   |        |
| Material: Steel-(C1008-C1018) Zinc Plated |        |



CUTAWAY VIEW A-A



|                       |
|-----------------------|
| DESCRIPTION           |
|                       |
|                       |
| TRADE REFERENCE TERMS |
|                       |

This data sheet is for reference only .GARVIN INDUSTRIES reserves the right to make changes to the design without prior notice.

|                  |  |         |     |
|------------------|--|---------|-----|
| STANDARD PACKING | <h1 style="text-align: center;">GARVIN INDUSTRIES</h1> |         |     |
| 10 PCS           |  |         |     |
|                  | SIZE   | DWG NO. | REV |
|                  | A4   | RC-300  | A   |
| DATA SHEET       |  |         |     |