

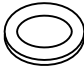

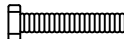



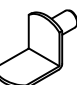


ITEM# 89287

Tableau Vintage Oak 46" TV Console



-----1/8-----

Hardware List

Item	Description	Qty
a 	Flat washers	28 pcs
b 	Lock washers	28 pcs
c 	Medium Bolts	18 pcs
d 	Allen wrench	1 pc
e 	Long Bolts	4 pcs
f 	Short Bolts	6pcs
g 	Shelf metal clip	10 pcs
j 	Door Pull	2 pcs
h 	Machine Screw Ø 5/32"X3/4"	4 pcs

-----2/8-----

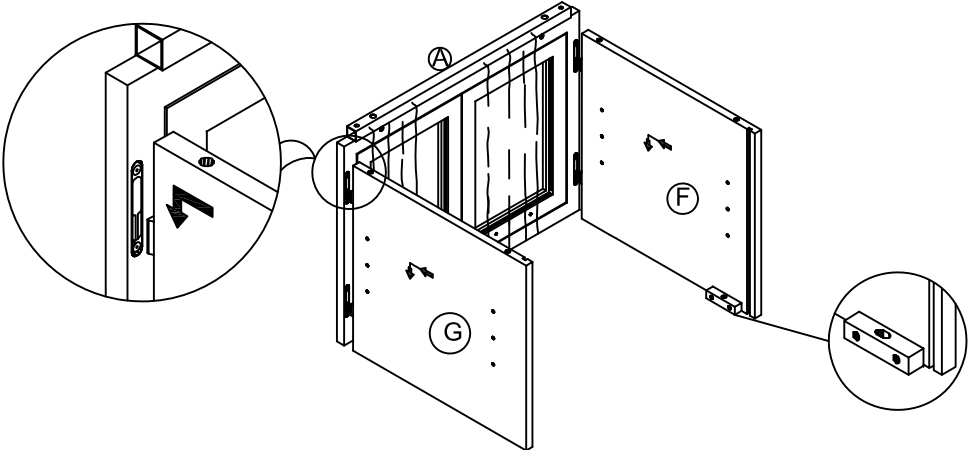
Assembly Instructions

Parts List

Item	Description	Qty
A	Front Frame	1 pc
B	Top Panel	1 pc
C	Bottom Panel	1 pc
D	Right side panel	1 pc
E	Left side panel	1 pc
F	Right middle panel	1 pc
G	Left middle panel	1 pc
H	Back panel	1 pc
I	Middle Shelf	1 pc
J	Left & Right Shelf	2 pcs
K	Feet	2 pcs
L	Left Metal Frame	1 pc
M	Right Metal Frame	1 pc

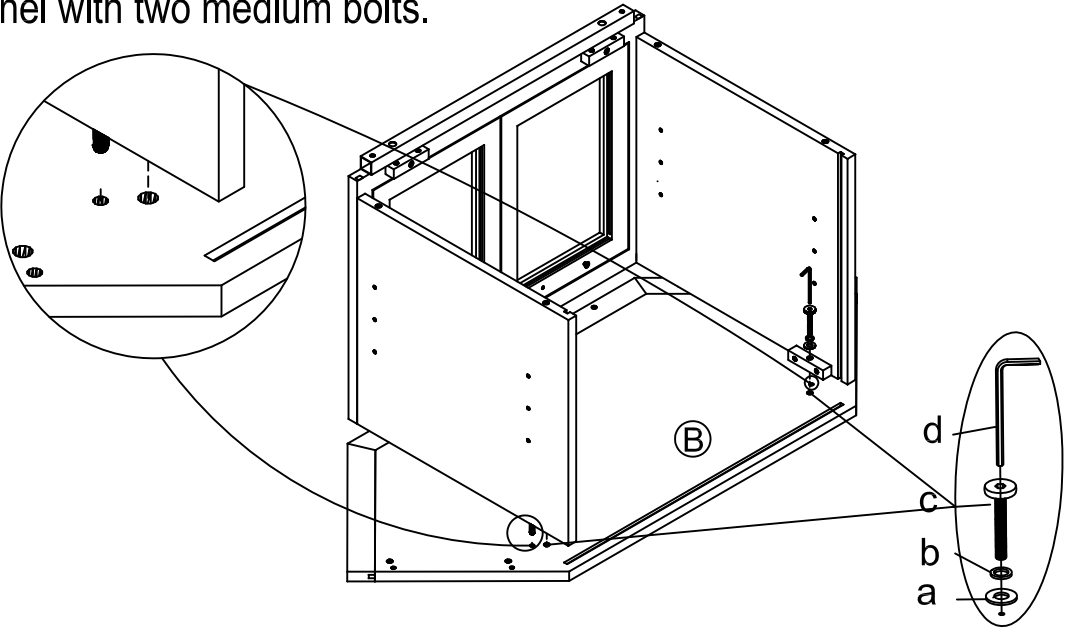
step 1

- 1.1 Place the front frame (A) upside down with *metal tube facing up*.
- 1.2 Insert panel (F) onto the front frame with the wooden cleat facing down, and push down to make it tight.
- 1.3 Do the same thing to insert the other panel (G). Cut and remove the shrink wrapper from the front frame, pay close attention not to scratch the furniture surface.



step 2

- 2.1 Put the top panel up side down on a soft surface.
- 2.2 Hold front frame carefully and place the assembled parts on the top.
- 2.3 Align the top wooden dowels into the side panel holes, then fasten on top panel with two medium bolts.

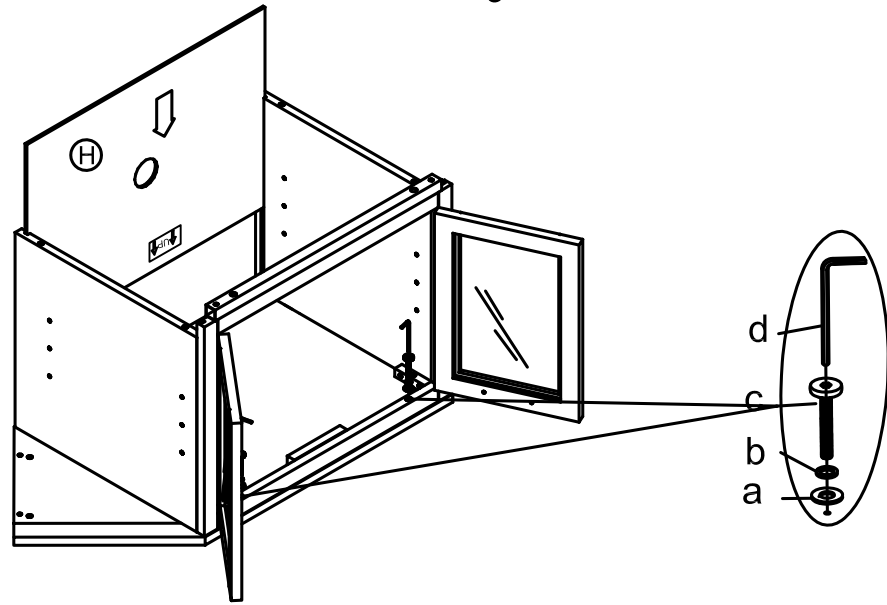


Assembly Instructions

step 3

3.1 Open the doors, fasten with another two medium bolts on the front rail to the top panel.

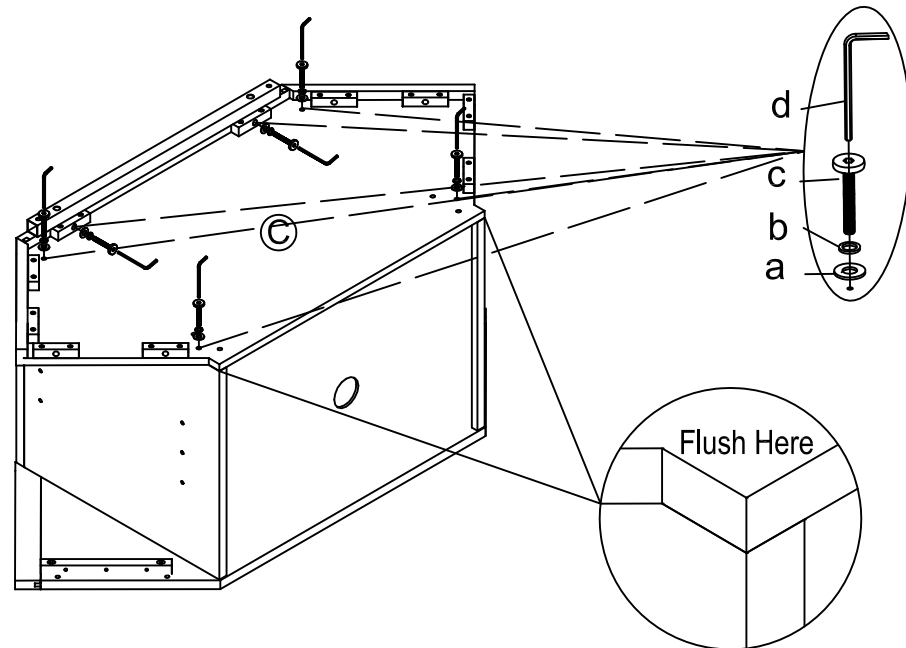
3.2 Insert the back panel with a arrow sticker facing down.



step 4

4.1 Place the bottom panel up side down into the assembled cabinet frame.

4.2 Fasten the bottom panel with 6 medium bolts. Keep the *back edge corner* of bottom panel aligned with the side panel's *back edge corner* while tightening the bolts.

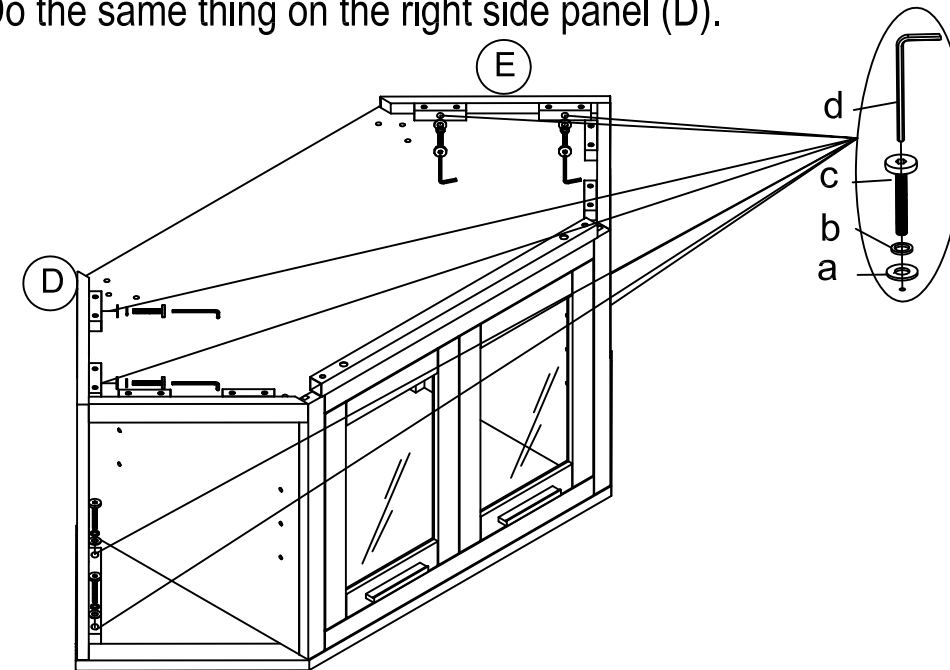


Assembly Instructions

step 5

5.1 Insert the left side panel's (E) wooden dowel into the top, then fasten the left side panel with 4 medium bolts.

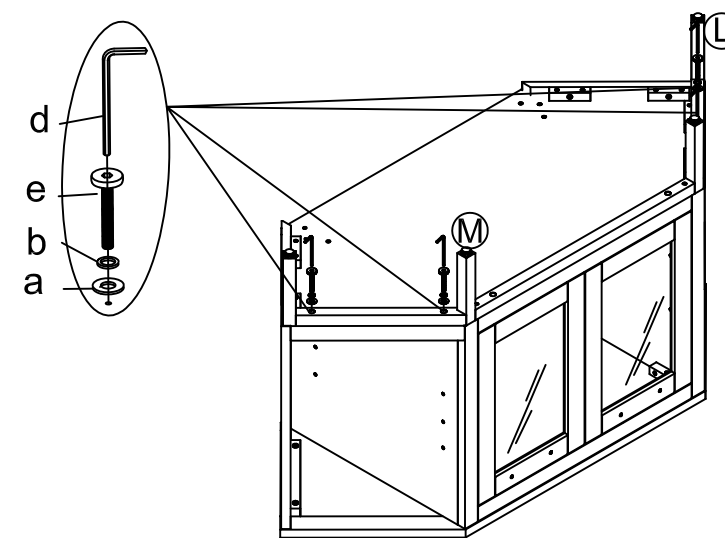
5.2 Do the same thing on the right side panel (D).



step 6

6.1 Insert the left metal frame tube into the front metal rail. Push inwards and fasten it with 2 long bolts.

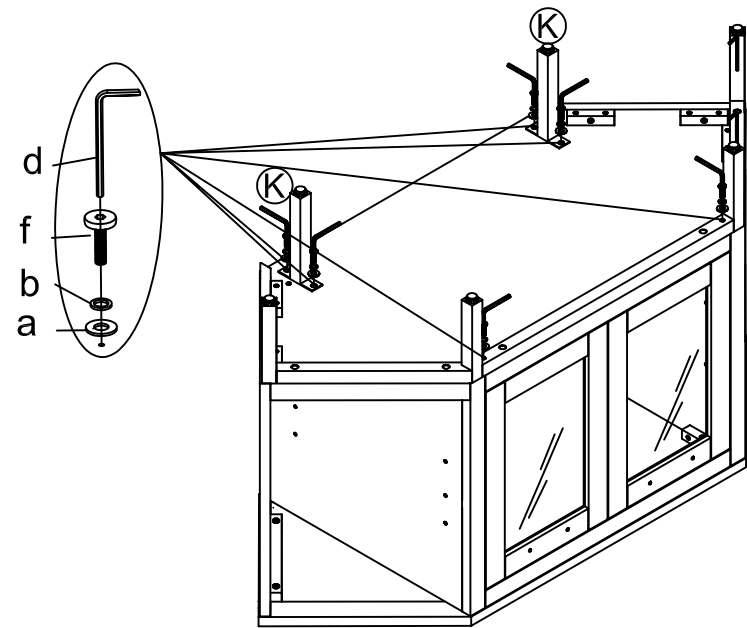
6.2 Do the same step as 6.1 to fasten the right metal frame.



Assembly Instructions

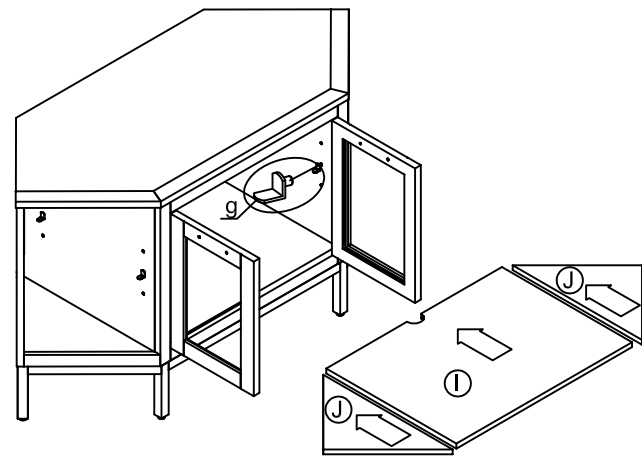
step 7

- 7.1 Fasten front metal rail and side metal frame with 2 short bolts in the front.
- 7.2 Fasten two metal feet with 4 short bolts.



step 8

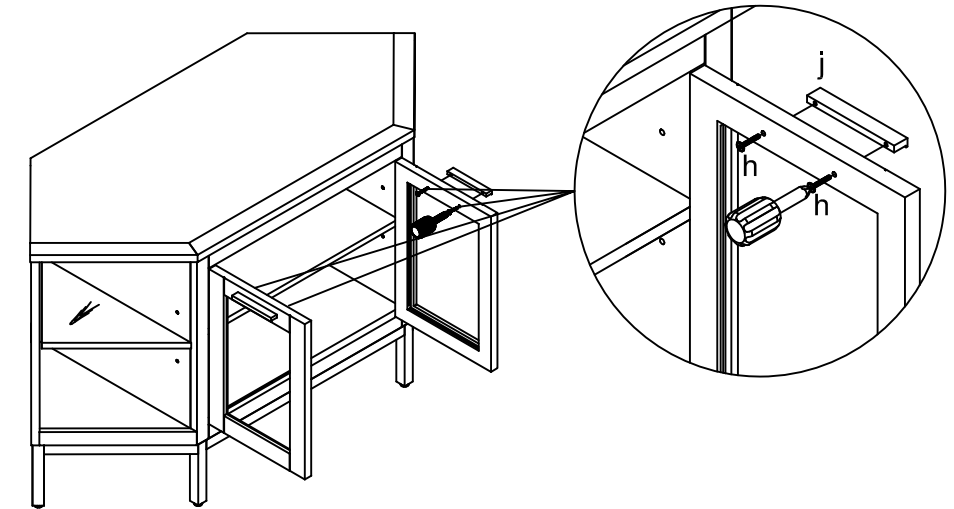
Insert shelf supports and place three shelves on. Make sure the center shelf's wire hole is facing inside.



Assembly Instructions

step 9

Install two door pulls.



step 10

Adjust levelers on the bottom of legs if needed.

